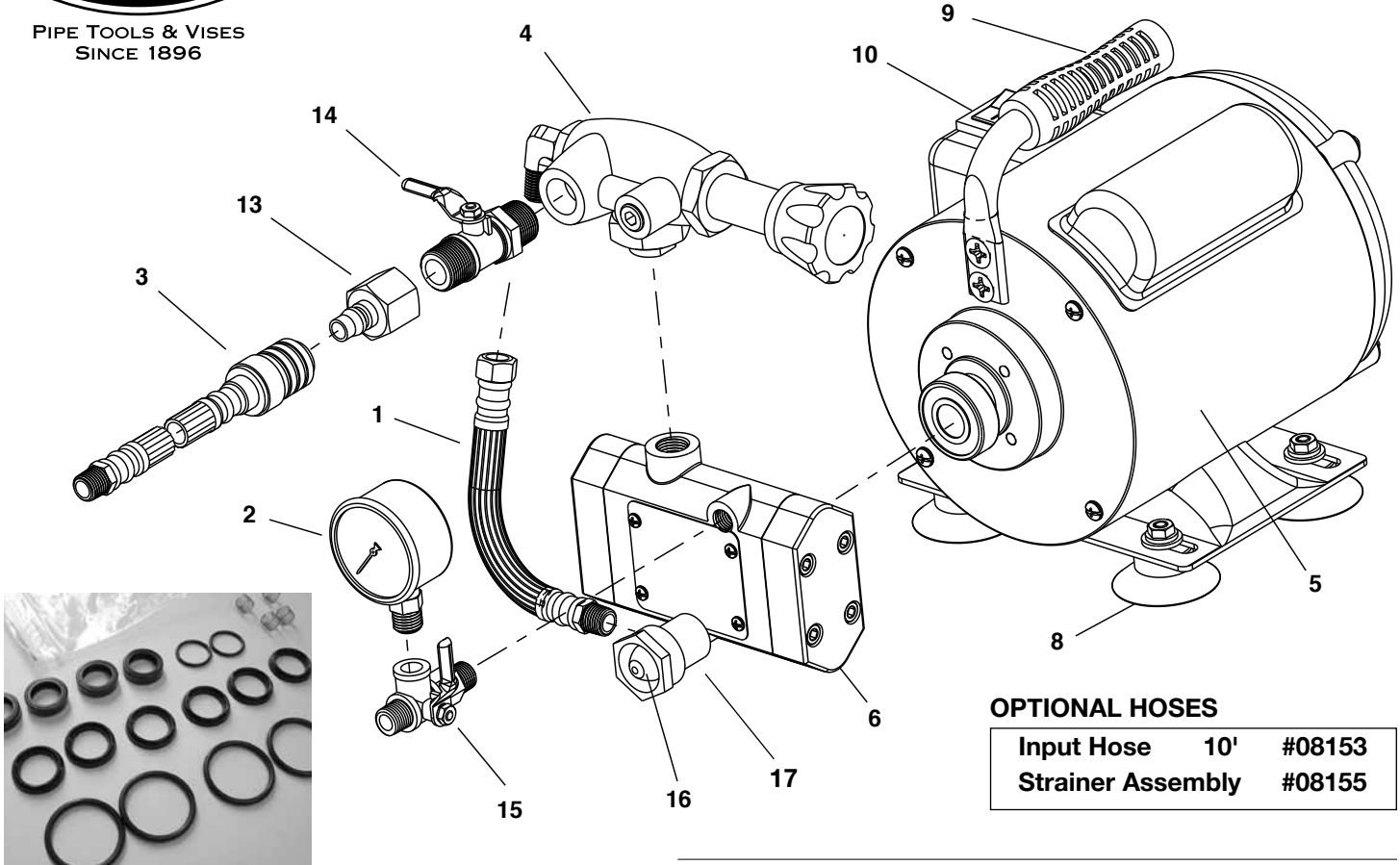




PIPE TOOLS & VISES  
SINCE 1896

# Electric Hydrostatic Test Pumps

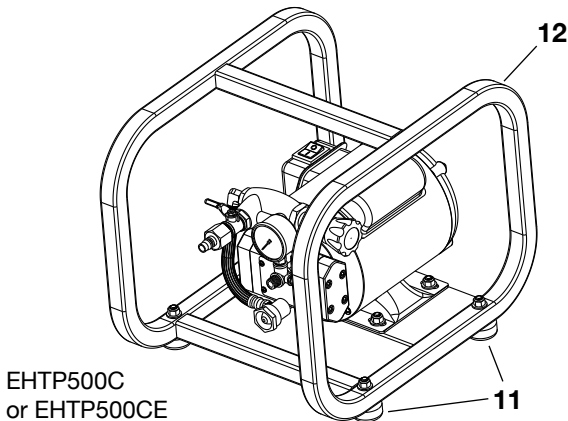
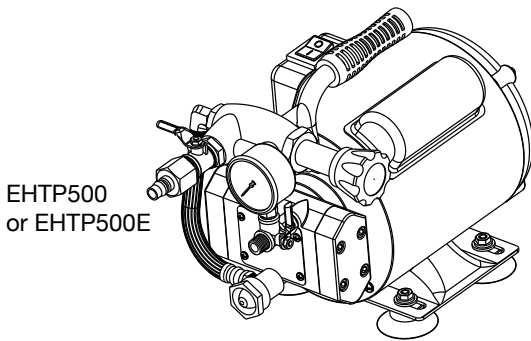
## Replacement Parts



### OPTIONAL HOSES

Input Hose	10'	#08153
Strainer Assembly		#08155

7



### Parts List

ITEM	DESCRIPTION	EHTP500	EHTP500C	QTY.
		EHTP500E	EHTP500CE	
1	BYPASS HOSE	48183	48183	1
2	PRESSURE GAUGE	48185	48185	1
3	HIGH PRESSURE OUTPUT HOSE	08172	08172	1
4	REGULATOR ASSEMBLY	48189	48189	1
5a*	MOTOR ASSEMBLY 110V.	48187	48187	1
5b*	MOTOR ASSEMBLY 220V.	48196	48196	**
6	PUMP ASSEMBLY	48188	48188	1
7	SEAL KIT	48181	48181	1
8	PUMP FEET	48190	—	4
9	CARRYING HANDLE	48191	—	1
10	ELECTRIC SWITCH / COVER	48193	48193	1
11	CAGE FEET	—	48186	4
12	CAGE WITH FEET	—	48195	1
13	MALE QUICK CONNECT	48200	48200	1
14	HIGH PRESSURE VALVE	48201	48201	1
15	3-WAY VALVE	48202	48202	1
16	HOSE WASHER W/SCREEN	48203	48203	1
17	INTAKE HOSE FITTING	48204	48204	1

\* Motor Assembly also includes #8, #9 and #10.

\*\* Choose the proper voltage.

Reed Manufacturing Company  
1425 West 8th Street  
Erie, PA 16502 USA



Phone: 800-666-3691 or 814-452-3691  
Fax: 800-456-1697 or 814-455-1697  
www.reedmfgco.com

RP-1015-99  
See Also 58170

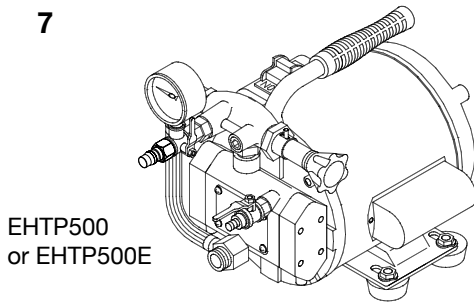
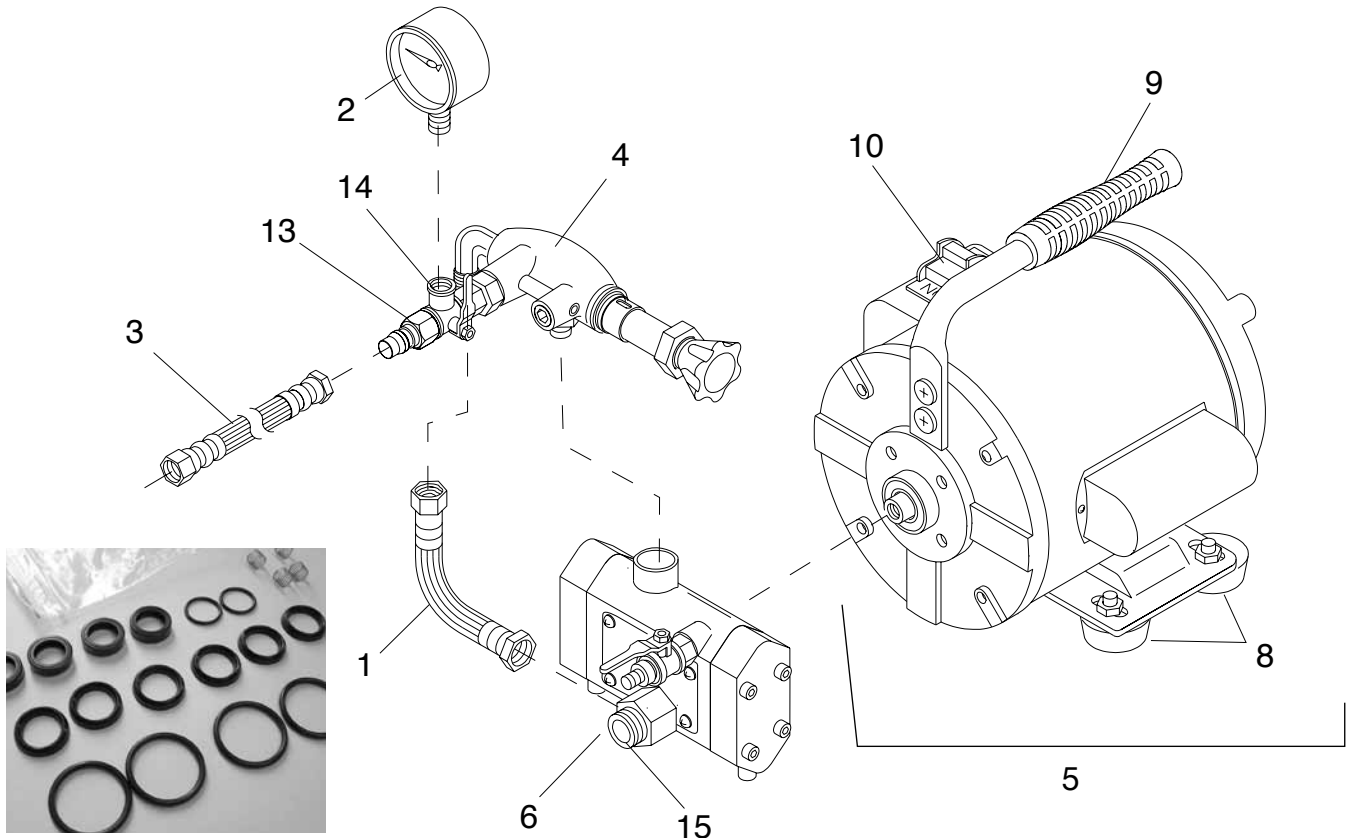


PIPE TOOLS & VISES  
SINCE 1896

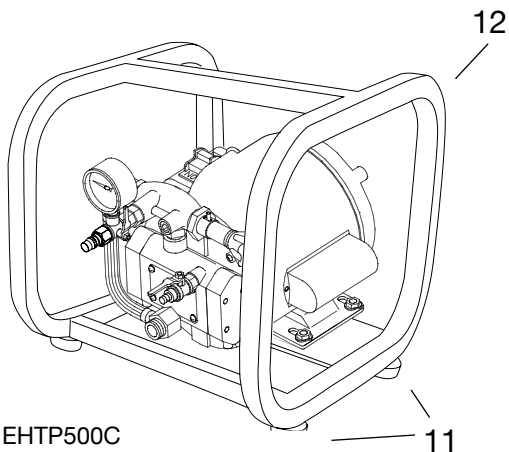
# Electric Hydrostatic Test Pumps

## Replacement Parts

Diagram for models sold before July 2013.



EHTP500  
or EHTP500E



EHTP500C  
or EHTP500CE

### Parts List

ITEM	DESCRIPTION	EHTP500	EHTP500C	QTY.
		EHTP500E	EHTP500CE	
1	BYPASS HOSE	48183	48183	1
2	PRESSURE GAUGE	48185	48185	1
3	HIGH PRESSURE OUTPUT HOSE	08172	08172	1
4	REGULATOR ASSEMBLY	48189	48189	1
5a*	MOTOR ASSEMBLY 110V.	48187	48187	1
5b*	MOTOR ASSEMBLY 220V.	48196	48196	**
6	PUMP ASSEMBLY	48188	48188	1
7	SEAL KIT	48181	48181	1
8	PUMP FEET	48190	—	4
9	CARRYING HANDLE	48191	—	1
10	ELECTRIC SWITCH / COVER	48193	48193	1
11	CAGE FEET	—	48186	4
12	CAGE WITH FEET	—	48195	1
13	MALE QUICK CONNECT	48197	48197	1
14	3-WAY VALVE	48202	48202	1
15	HOSE WASHER W/SCREEN	48203	48203	1

\* Motor Assembly also includes #8, #9 and #10.

\*\* Choose the proper voltage.