



ECO-VALVE

Figure # 236AB

Low Lead Brass Threaded Swing Check Valve

Product Features

- 125# WSP / 200# WOG
- Brass Body
- Brass Disc
- Threaded Ends
- Swing Check
- "Y" Pattern
- MSS-SP-80
- AB1953, NSF/ANSI 61 & NSF/ANSI 372 Certified



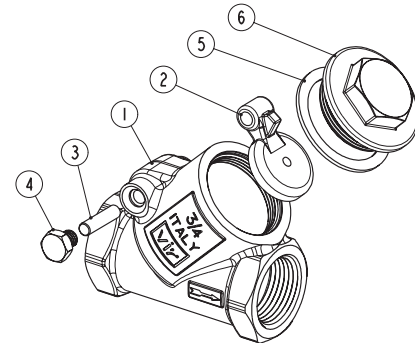
Certified to
ANSI/NSF 61



Pressure/Temperature Rating	
200 PSI from 15°F to 160 °F	125 PSI MAX at 366°F

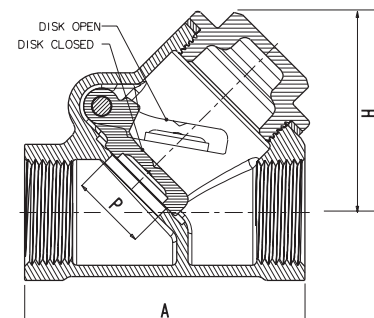
Materials & Specifications

Item	Description	Material	Specification
1	Body	Low Lead Brass	CW510L
2	Disc	Low Lead Brass	CW510L
3	Stem	Low Lead Brass	CW510L
4	Screw	Low Lead Brass	CW510L
5	Gasket	PTFE	PTFE
6	Cap	Low Lead Brass	CW510L



Dimensions, Weights (inches-lbs.) & Valve Data

Size	1/2	3/4	1	1-1/4	1-1/2	2
A	2.21	2.76	3.15	3.78	4.33	5.04
H	1.65	1.97	2.28	2.71	3.19	3.86
P	0.59	0.75	0.98	1.26	1.50	1.97
Wt	0.35	0.87	1.33	2.04	2.80	4.78



RED-WHITE VALVE CORP.

20600 Regency Lane, Lake Forest, CA 92630

TEL: 949.859.1010 • FAX: 949.859.7200 • www.redwhitevalvecorp.com

(160629)