



ECO-VALVE

Figure # 5549AB

Low Lead Brass Ball Valve (1/4"-4")

Product Features

- 150# WSP / 600# WOG
- Forged Brass Body
- Full Port
- Adjustable Packing
- Solder Ends
- Blow-Out Proof Stem
- MSS-SP-110
- AB1953, NSF-61, NSF-372 Certified



Certified to
ANSI/NSF 61

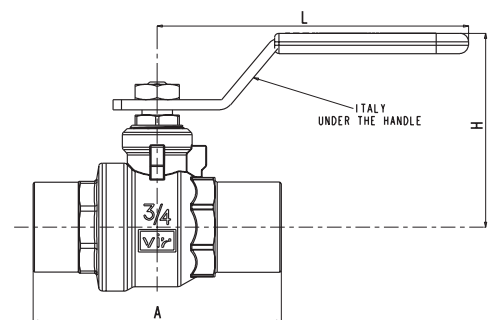
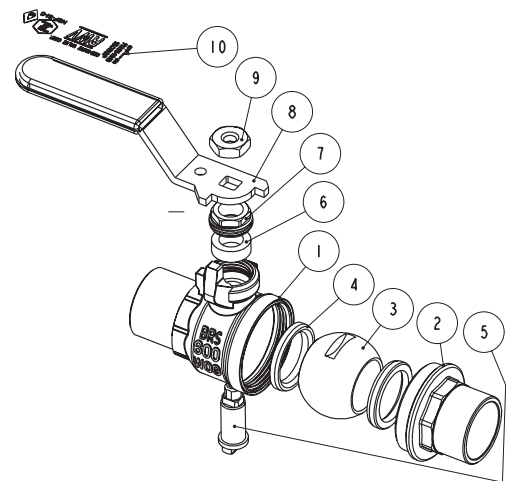


Pressure/Temperature Rating	
600 PSI from 15F to 160 F	150 PSI MAX at 366F

Connection Working Pressure				
Solder used in joints	Working Temp deg. °F	Maximum working pressure (PSI)		
		3/8" - 1"	1-1/4" - 2"	2-1/2" - 4"
95-5 Tin	100	500	400	300
Antimony	150	400	350	275
(ASTM B32	200	300	250	200
grade 95TA)	250	200	175	150

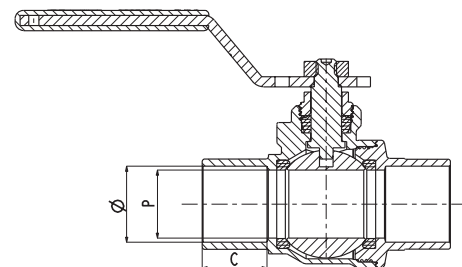
Materials & Specifications

Item	Description	Material	Specification
1	Body	Low Lead Brass	C28500
2	End piece	Low Lead Brass	C28500
3	Ball	Low Lead Brass/Cr Plated	C28500
4	Seat	PTFE	PTFE
5	Stem	Low Lead Brass	C28500
6	Packing	PTFE	PTFE
7	Packing nut	Brass	B124 C37700
8	Handle	Steel/Dc plated	A36 Dacromet
9	Handle nut	Steel/Zn plated	A36
10	Valve info	-	-



Dimensions, Weights (inches-lbs.) & Valve Data

Size	1/2	3/4	1	1-1/4	1-1/2	2	2-1/2	3	4
Ø	0.627-0.631	0.877-0.881	1.128-1.131	1.378-1.381	1.628-1.632	2.128-2.132	2.628-2.632	3.128-3.132	4.128-4.133
A	2.13	2.87	3.39	3.90	4.53	5.51	6.65	7.72	9.34
C	0.51	0.75	0.91	0.98	1.09	1.34	1.50	1.69	2.17
H	2.11	2.24	2.56	2.78	3.27	3.57	4.68	5.13	5.64
L	3.60	3.60	4.98	4.98	5.57	5.57	11.07	11.07	11.07
P	0.59	0.79	0.98	1.26	1.57	1.97	2.56	3.07	3.94
Cv	15	30	60	110	130	360	450	620	1200
Wt	0.45	0.65	1.04	1.58	2.52	3.52	7.48	11.31	17.31



RED-WHITE VALVE CORP.

20600 Regency Lane, Lake Forest, CA 92630

TEL: 949.859.1010 • FAX: 949.859.7200 • www.redwhitevalvecorp.com

(160510)