



# ECO-VALVE

## Figure # 5049AB

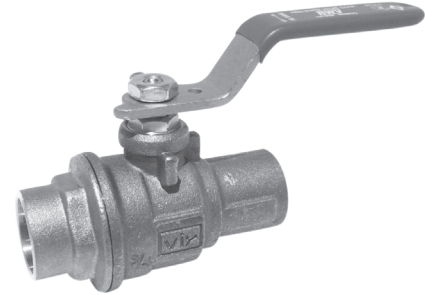
Low Lead Brass Ball Valve (1/2"-2")

### Product Features

- 150# WSP / 600# WOG
- Forged Brass Body
- Full Port
- Adjustable Packing
- Solder Ends
- Blow-Out Proof Stem
- MSS-SP-110
- AB1953, NSF-61, NSF-372 Certified



Certified to  
ANSI/SF 61



Pressure/Temperature Rating	
600 PSI from 15F to 160 F	150 PSI MAX at 366F

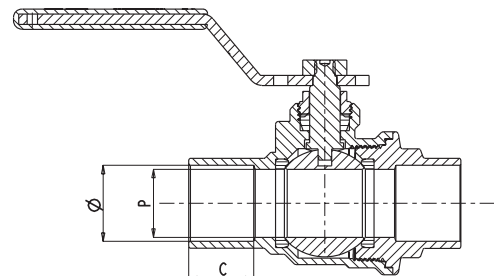
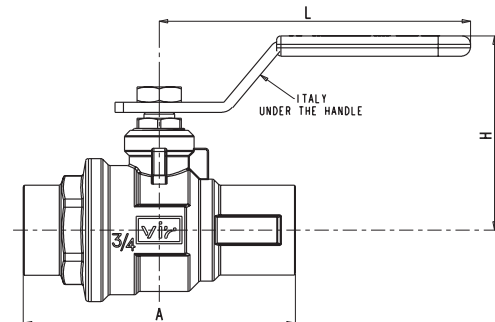
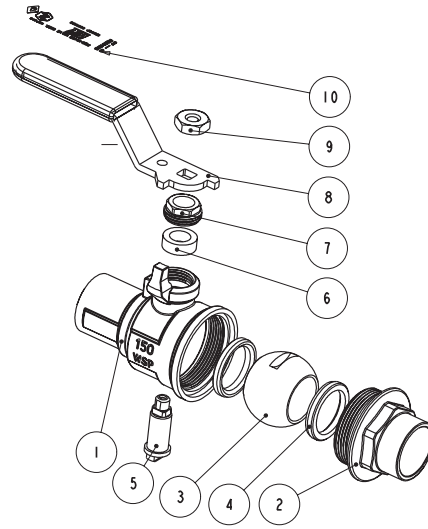
Connection Working Pressure				
Solder used in joints	Working Temp deg. °F	Maximum working pressure (PSI)		
		3/8" - 1"	1-1/4" - 2"	2-1/2" - 3"
95-5 Tin Antimony (ASTM B32 grade 95TA)	100	500	400	300
	150	400	350	275
	200	300	250	200
	250	200	175	150

### Materials & Specifications

Item	Description	Material	Specification
1	Body	Low Lead Brass	C28500
2	End piece	Low Lead Brass	C28500
3	Ball	Low Lead Brass/Cr Plated	C28500
4	Seat	PTFE	PTFE
5	Stem	Low Lead Brass	C28500
6	Packing	PTFE	PTFE
7	Packing nut	Brass	B124 C37700
8	Handle	Steel/Dc plated	A36 Dacromet
9	Handle nut	Steel/Zn plated	A36
10	Valve info	-	-

### Dimensions, Weights (inches-lbs.) & Valve Data

Size	1/2	3/4	1	1-1/4	1-1/2	2
∅	0.627-0.631	0.877-0.881	1.128-1.131	1.378-1.381	1.628-1.632	2.128-2.132
A	2.60	3.15	3.31	3.86	4.53	5.51
C	0.51	0.75	0.91	0.97	1.09	1.34
H	2.13	2.24	2.57	2.79	3.28	3.58
L	3.60	3.60	4.98	4.98	5.57	5.57
P	0.59	0.79	0.98	1.26	1.57	1.97
Cv	15	30	60	110	130	360
Wt	0.56	0.79	1.21	2.04	3.02	4.56



### RED-WHITE VALVE CORP.

20600 Regency Lane, Lake Forest, CA 92630

TEL: 949.859.1010 • FAX: 949.859.7200 • www.redwhitevalvecorp.com

(160510)