



**ECO-VALVE**

**Figure # 237AB**

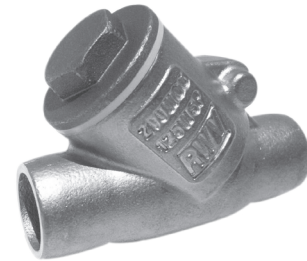
Low Lead Brass Solder Ends  
Swing Check Valve

*Product Features*

- 125# WSP / 200# WOG
- Brass Body
- Brass Disc
- Solder Ends
- Swing Check
- "Y" Pattern
- Threaded Cap
- MSS-SP-80
- AB1953, NSF/ANSI 61 & NSF/ANSI 372 Certified

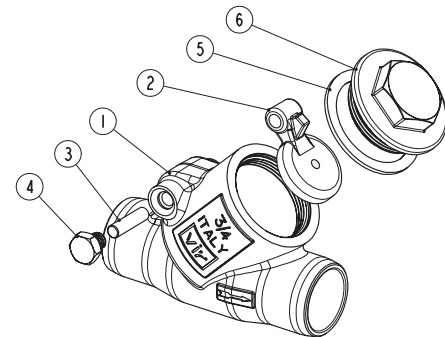


Certified to  
ANSI/NSF 61



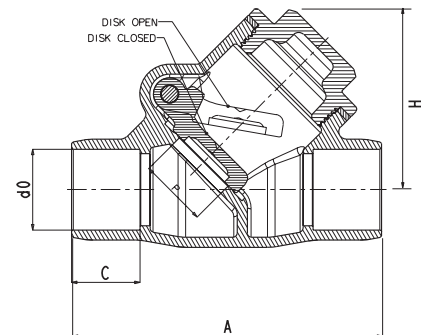
*Materials & Specifications*

Item	Description	Material	Specification
1	Body	Low Lead Brass	CW510L
2	Disc	Low Lead Brass	CW510L
3	Stem	Low Lead Brass	CW510L
4	Screw	Low Lead Brass	CW510L
5	Gasket	PTFE	PTFE
6	Cap	Low Lead Brass	CW510L



*Dimensions, Weights (inches-lbs.) & Valve Data*

Size	1/2	3/4	1	1-1/4	1-1/2	2
d0	0.502- 0.506	0.627- 0.631	0.877- 0.881	1.128- 1.132	1.378- 1.382	1.628- 1.633
A	2.60	3.39	4.09	4.72	5.35	6.69
C	0.50	0.75	0.91	0.98	1.10	1.34
H	1.65	1.97	2.28	2.71	3.19	3.86
P	0.59	0.75	0.98	1.26	1.50	1.97
Wt	0.35	0.87	1.33	2.04	2.80	4.78



**RED-WHITE VALVE CORP.**

20600 Regency Lane, Lake Forest, CA 92630

TEL: 949.859.1010 • FAX: 949.859.7200 • www.redwhitevalvecorp.com

(160629)