

## BATH WASTE AND OVERFLOW TRIM KITS WITH BUSHING

### SPECIFICATION SHEET



#### SPECIFICATION

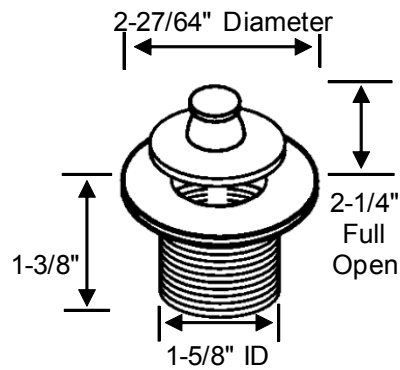
Furnish and install bath waste and overflow trim kits as manufactured by LSP Products Group.

#### DESIGN FEATURES

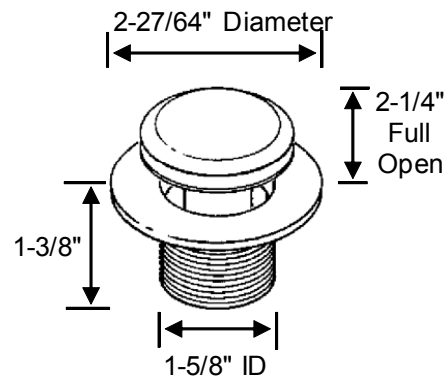
- Fits most wastes
- Available with one hole, and two hole cover plate
- Available in Lift and Turn or Toe touch drains.
- Includes coarse thread 1-1/2" - 11-1/2" TPI adapter bushing

#### STOPPERS

##### Lift and Turn



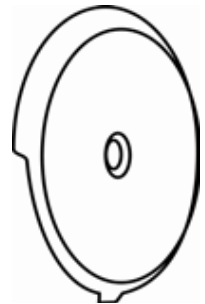
##### Toe Touch



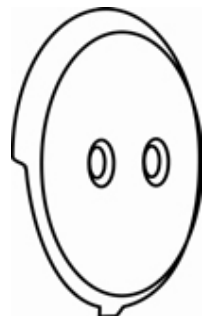
1-1/2" - 11-1/2 TPI  
Adapter Busing

#### OVERFLOW PLATES

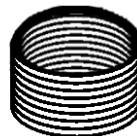
##### One Hole



##### Two Hole



3-1/4" Diameter



**LSP**  
PRODUCTS GROUP

3689 Arrowhead Drive, Carson City, NV 89706

Phone (800) 854-3215 Fax (800) 243-1777

E-mail sales@lspproducts.com Website www.lspproducts.com

Content matter is subject to change at any time. It is the user's responsibility to ensure the most updated revisions are obtained.  
RF/CTBK (05-11) Rev 1



**PART ASSEMBLY LIST**

- 1 - Premium Stopper
- 1 - 1-5/8" - 16 TPI Strainer body
- 1 - Coarse thread 1-1/2" - 11-1/2" TPI adapter bushing
- 1 - Overflow Plate
- 1 or 2 - 2 1/4" Screw

**BATH WASTE AND OVERFLOW TRIM KITS WITH BUSHING**  
**SPECIFICATION SHEET**

LIFT & TURN STOPPER, OVERFLOW PLATE, AND BUSHING KIT	FINISH	1-HOLE COVER	2-HOLE COVER
	Chrome Plated	RFT-100-C	RFT-102-C
	Polished Brass	RFT-100-B	RFT-102-B
	White	RFT-100-W	RFT-102-W
	Satin Nickel	RFT-100-SN	-
	Oil Rubbed Bronze	RFT-100-ORB	-
	Venetian Bronze	RFT-100-VB	RFT-102-VB

TOE TOUCH STOPPER, OVERFLOW PLATE, AND BUSHING KIT	FINISH	1-HOLE COVER
	Chrome Plated	RFT-200-C
	Polished Brass	RFT-200-B
	White	RFT-200-W



3689 Arrowhead Drive, Carson City, NV 89706  
 Phone (800) 854-3215 Fax (800) 243-1777  
 E-mail sales@lspproducts.com Website www.lspproducts.com

Content matter is subject to change at any time. It is the user's responsibility to ensure the most updated revisions are obtained.  
 RF/CTBK (05-11) Rev 1

Product Submittal	
Job Name:	
Date:	
Part Number	Quantity
Architect:	
Contractor:	