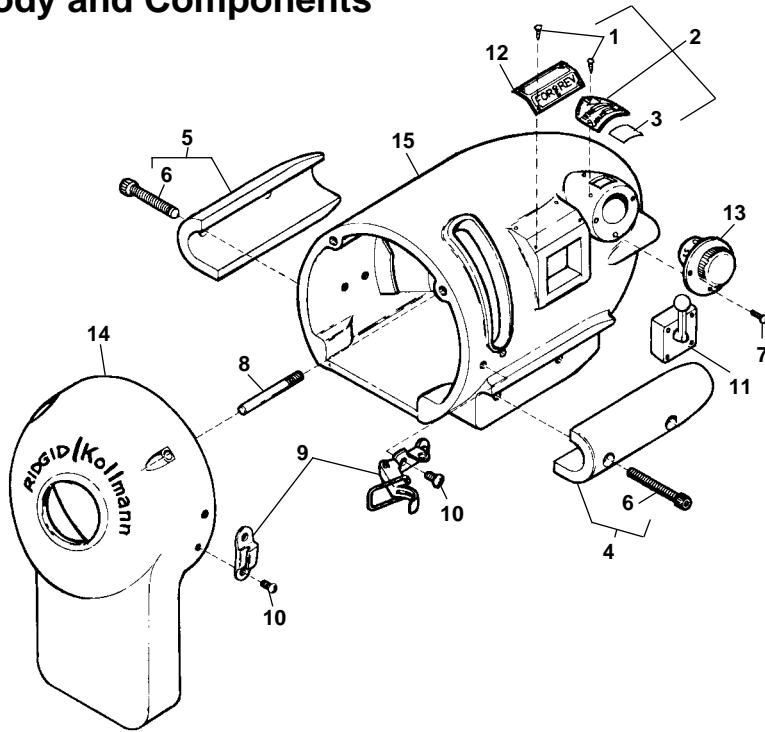


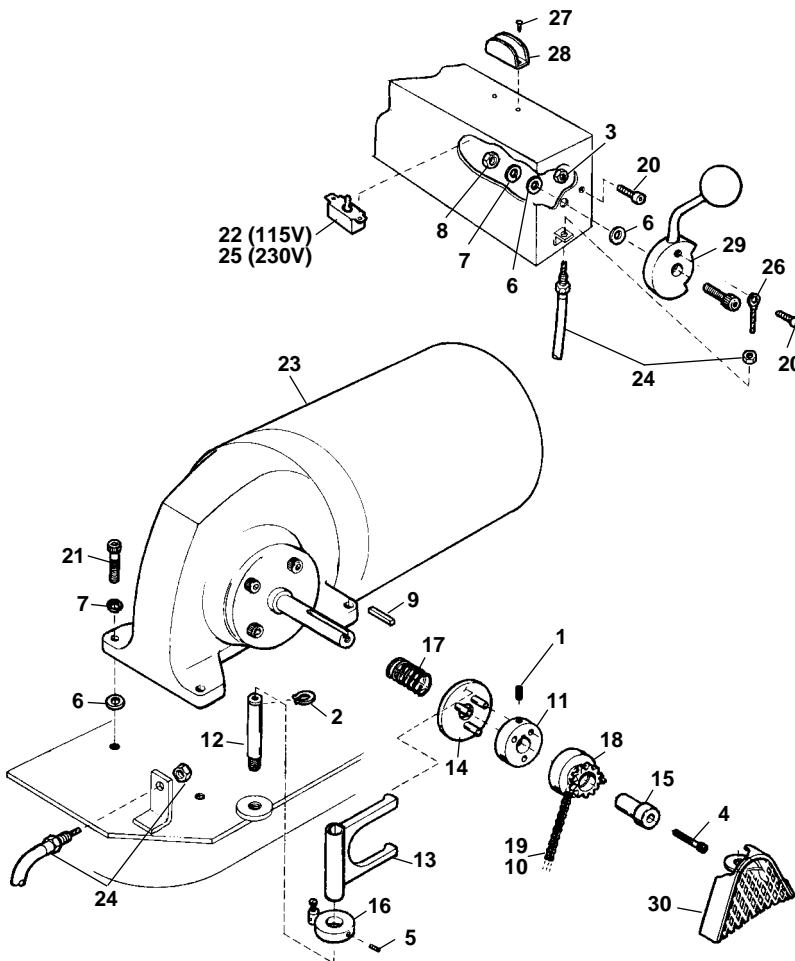
Body and Components



NOTE: Order parts by Catalog Number only. DO NOT order by Reference Number.

Ref. No.	Catalog No.	Description
1	61480	A-413 Drive Screw (7)
2	59595	A-1527 Plate (Incl. 1 & 3)
3	59610	A-1582 Window
4	59900	A-2188 Hanger (Left)
5	59905	A-2189 Hanger (Right)
6	59930	A-2195 Screw (4)
7	59985	A-2255 Screw (3)
8	60565	A-2624 Pin (2)
9	60570	A-2625 Latch (2)
10	60575	A-2626 Screw (8)
11	60940	A-3021 Switch
12	76875	A-3680 Plate
13	61950	B-1954 Counter
14	62475	C-2623 Guard
15	62470	D-2622 Body (Incl. Ref. No. 1, 2, 3, & 12)

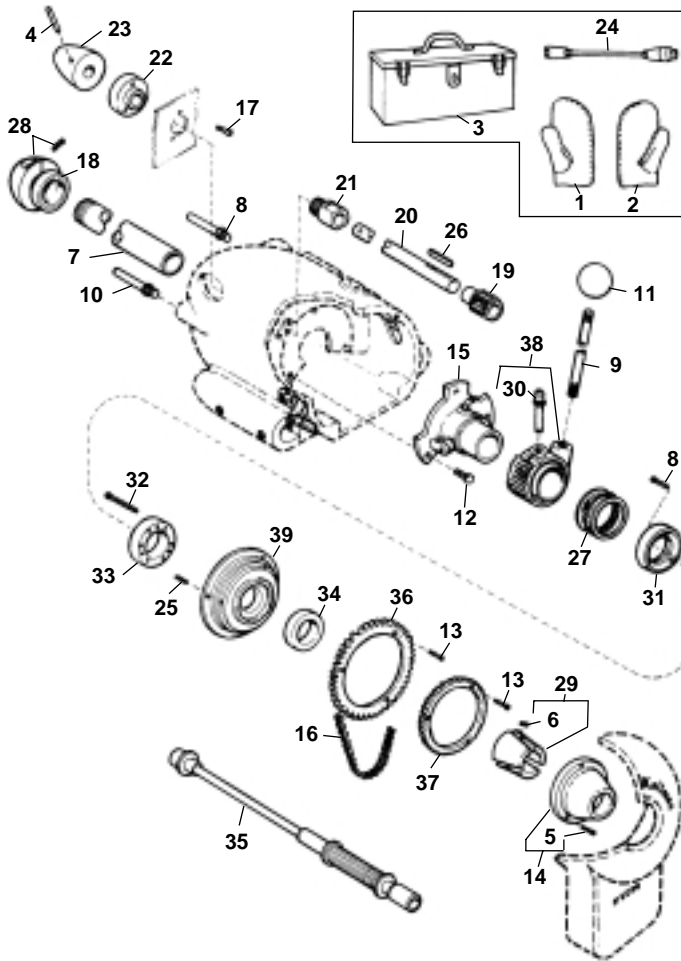
Propulsion Drive Components and Switch



Ref. No.	Catalog No.	Description
1	60330	A-247 Screw
2	60860	A-297 Retaining Ring
3	61755	A-828 Nut
4	59935	A-2200 Screw with Washer
5	60025	A-2271 Screw
6	60060	A-2284 Washer (5)
7	60080	A-2289 Lock Washer (5)
8	60230	A-2395 Nut
9	60425	A-2504 Key
10	60480	A-2522 Connecting Link
11	60520	A-2560 Clutch Driver
12	60525	A-2562 Hinge Pin
13	60530	A-2565 Clutch Yoke
14	60535	A-2568 Clutch Plate
15	60540	A-2570 Sprocket Bushing
16	60555	A-2579 Yoke Ring
17	60660	A-2663 Spring
18	60675	A-2697 Sprocket
19	60830	A-2867 Drive Chain
20	87895	A-2979 Screw (2)
21	90140	A-3001 Screw (5)
22	61035	A-3140 Switch (115V, 60 Hz)
23	69255	A-3236 Gear Motor 1970 & On 115V/230V, 60/50 Hz
24	76865	A-3640 Clutch Cable
25	90150	A-3954 Switch (230V, 50 Hz)
26	90155	A-6041 Eyelet
27	90160	A-6144 Screw (2)
28	61985	B-1967 Switch Guard
29	69225	B-2043 Clutch Handle
30	62030	B-2789 Guard

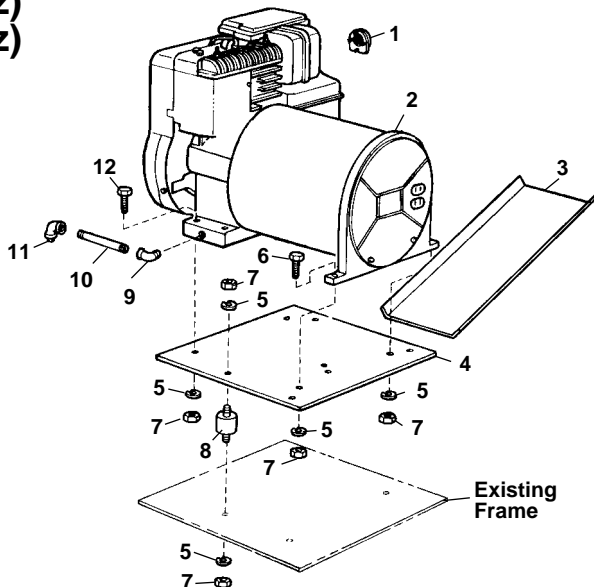
Power Drive Components and Standard Equipment

NOTE: Order parts by Catalog Number only. DO NOT order by Reference Number.



Ref. No.	Catalog No.	Description
1	59205	A-1 Glove (Left)
2	59295	A-2 Glove (Right)
3	59360	A-3 Tool Box
4	90105	A-134 Pin
5	60910	A-300 Screw (6)
6	61330	A-350 Spring (3)
7	98735	Shaft
8	59570	A-1341 Pin
9	59575	A-1511 Handle (2)
10	59580	A-1515 Pin
11	59585	A-1 521 Ball (2)
12	44590	E-1503 Screw (3)
13	60045	A-2280 Screw (6)
14	60120	A-2303 Nose Cone
15	60950	A-3023 Bearing Plate
16	60620	A-2642 Drive Chain
17	60245	A-2428 Screw (3)
18	60390	A-2489 Bearing (Rear)
19	60585	A-2629 Pinion Gear
20	60590	A-2630 Shaft
21	60595	A-2631 Shaft Bearing
22	60600	A-2632 Shaft Bearing
23	60605	A-2633 Knob
24	60700	A-2704 Adapter
25	60850	A-2925 Clutch Spring (3)
26	60870	A-2978 Key
27	60920	A-3017 Thrust Bearing
28	60935	A-3020 Nut
29	61040	A-3142 Jaws & Springs (3) 1 1/4"
	62830	A-3152-X Jaws & Springs (3) 7/8"
	62825	A-3153-X Jaws & Springs (3) 5/8"
30	89810	A-6150 Grease Fitting
31	90175	A-6267 Collar (Rear)
32	90180	A-6269 Push Pin (3)
33	90185	A-6270 Collar (Front)
34	90190	A-6272 Pressure Ring
35	61895	B-1821 Driver Assembly
36	62010	B-2640 Large Sprocket
37	62015	B-2641 Small Sprocket
38	62020	B-2698 Clutch Casting
39	62350	C-1958 Hub

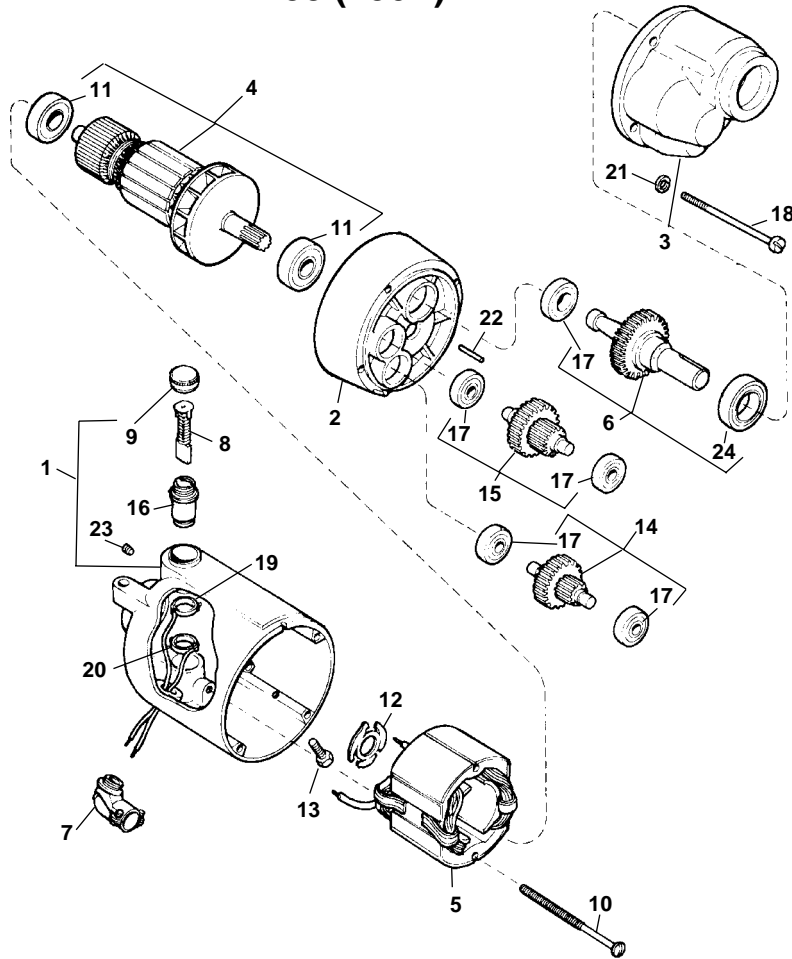
**Engine/Generator and Mounting Plate
(115V, 60Hz)
(230V, 50Hz)**



Ref. No.	Catalog No.	Description
1	90195	A-6284 Spark Arrestor
2	90245	A-6640 Engine/Generator (115V)
	90210	A-6313 Engine/Generator (230V)
3	90220	B-6424 Drip Shield
4	90240	B-6428 Mounting Plate
5	60080	A-2289 Lock Washer (12)
6	60515	A-2531 Screw (2)
7	60230	A-2395 Nut (10)
8	90215	A-6419 Vibration Mount (4)
9	90225	A-6425 90 Degree Elbow
10	91060	A-6918 Nipple
11	90230	A-6426 90 Degree Elbow
12	89870	A-6396 Screw (2)

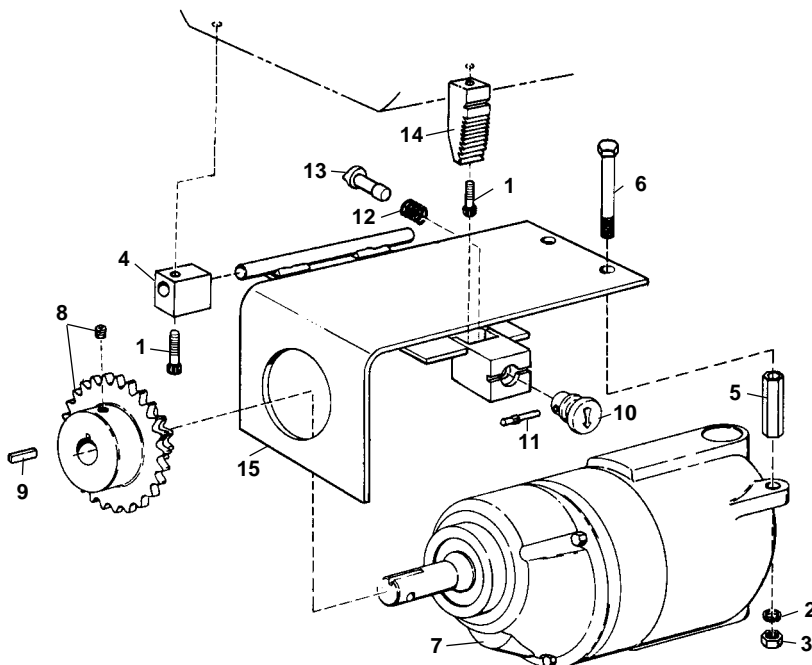
**Motor Model No. 2168 (115V),
2238 (230V)**

**NOTE: Order parts by Catalog Number only.
DO NOT order by Reference Number.**



Ref. No.	Catalog No.	Description
—	60645	A-2655-X Ridge Motor No. 2168 (115V)
—	87900	A-3433 Ridge Motor No. 2268 (230V)
1	43160	B-822-1X Housing Assembly (Incl. Ref. No. 9, 16, 24)
2	43165	B-823-1 Fan Housing
3	42875	B-1102 Gear Housing
4	44010	D-696-X Armature & Fan (115V)
	44030	D-739-X Armature & Fan (230V)
5	44015	D-733 Field (115V)
	44035	D-740 Field (230V)
6	83630	E-922-X Drive Gear Assembly
7	46900	E-923 Connector
8	44540	E-1491 Brush Assembly (2)
9	44545	E-1493-1 Brush Cap (2)
10	44555	E-1495 Screw (2)
11	44565	E-1497 Bearing (Armature) (2)
12	44580	E-1501 Loading Spring
13	83500	E-1749 Field Screw
14	44985	E-2600-X 1st Intermediate Gear Assembly
15	45005	E-2601-X 2nd Intermediate Gear Assembly
16	45025	E-2606 Brush Holder (2)
17	45060	E-2630 Bearing (5)
18	45075	E-2748 Mounting Screw (4)
19	45130	E-2861 White Lead (Upper)
20	45135	E-2862 Red Lead (Lower)
21	45150	E-2887 Lock Washer (4)
22	45165	E-2893 Dowel Pin
23	39770	E-3145 Set Screw (2)
24	45315	E-3215 Bearing

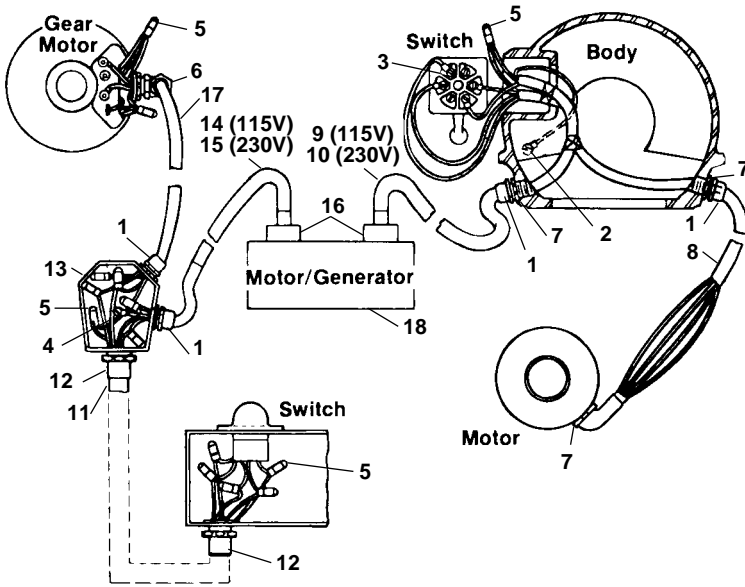
Motor Mounting Table



Ref. No.	Catalog No.	Description
1	59920	A-2193 Screw (3)
2	60085	A-2290 Lock Washer (2)
3	60395	A-2492 Hex Nut (2)
4	60630	A-2645 Pivot Block (2)
5	60635	A-2653 Motor Mount Spacer (2)
6	60640	A-2654 Screw (2)
7	60645	A-2655-X Ridge Motor (Model No. 2168)
8	60650	A-2656 Sprocket
9	60870	A-2978 Key
10	60880	A-2987 Ratchet Knob
11	60885	A-2988 Ratchet Pin
12	60890	A-2989 Ratchet Spring
13	60895	A-2990 Ratchet Pawl
14	61025	A-3092 Motor Table Positioner
15	62410	C-3091 Motor Table

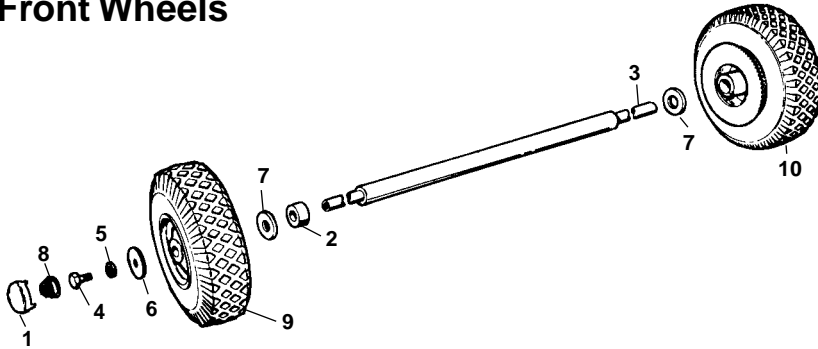
Electrical Wiring Harnesses, Junction Box and Attaching Hardware (115V, 60 Hz & 230V, 50 Hz)

NOTE: Order parts by Catalog Number only. DO NOT order by Reference Number.



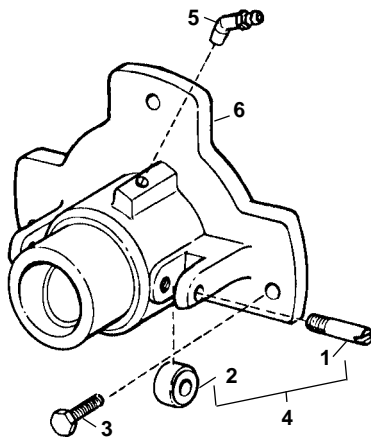
Ref. No.	Catalog No.	Description
1	61530	A-482 Strain Relief (4)
2	90115	A-2162 Screw
3	59955	A-2234 Terminal (7)
4	59990	A-2256 Screw
5	60185	A-2348 Wire Nut (13)
6	60260	A-2439 Elbow
7	90130	A-2786 Lock Nut (8)
8	60755	A-2797 Tubing
9	60760	A-2798 Cord (115V)
10	90125	A-2799 Cord (230V)
11	60765	A-2800 Conduit
12	60770	A-2801 Connector (2)
13	60775	A-2802 Junction Box
14	60780	A-2803 Cord (115V)
15	90130	A-2804 Cord (230V)
16	90145	A-3698 Plug (2)
17	62145	B-3052 Wiring Harness
18	90245	A-6640 Generator (115V)
	90210	A-6313 Generator (230V)

Front Wheels

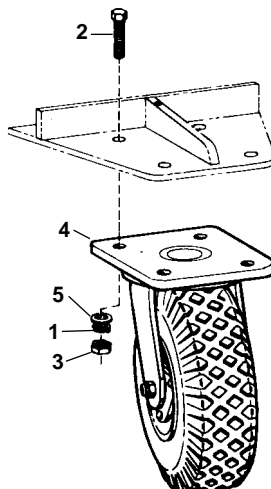


Ref. No.	Catalog No.	Description
1	59700	A-1881 Hub Cap (2)
2	59740	A-2004 Spacer (Right)
3	59745	A-2005 Axle
4	60010	A-2265 Screw (2)
5	60080	A-2289 Lock Washer (2)
6	60835	A-2882 Washer (2)
7	60995	A-3039 Washer (2)
8	61000	A-3041 Spring (2)
9	62000	B-2618 Wheel
10	69235	B-2619 Wheel and Sprocket
	61055	Inner Tube
	61060	Tire

Main Bearing Plate Assembly A-3023



Swivel Caster and Rear Wheel



Ref. No.	Catalog No.	Description
—	60950	60950 Plate Assembly Complete
1	59495	A-110 Pin (2)
2	61015	A-308 Roller (2)
3	44590	E-1503 Screw
4	60925	A-3018 Roller Assembly (2)
5	89815	A-6151 Grease Fitting
6	76690	B-1672 Main Bearing Plate

Ref. No.	Catalog No.	Description
1	60085	A-2290 Lock Washer (4)
2	60380	A-2481 Screw (4)
3	60395	A-2492 Hex Nut (4)
4	60560	A-2617 Swivel Caster and Wheel with Swivel Lock
5	89785	A-4327 Washer (4)