

TYPE QFG ELECTRIC FAN-FORCED WALL HEATERS

RESIDENTIAL: QFG Series electric in-wall heaters are suitable for use in almost any room. Use single heaters in smaller rooms such as bedrooms and bathrooms. Use multiple heaters (controlled by a single thermostat) in larger rooms such as living rooms and family rooms. Wattage should be determined through heat loss calculations.

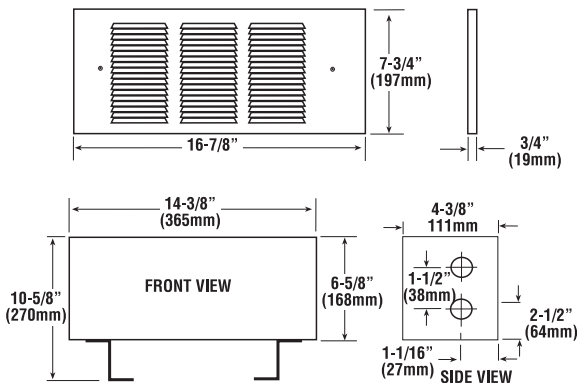
COMMERCIAL: Suitable as the primary heat source in smaller rooms and as supplemental heat in almost any general use area.

- **Dual Protection:** Thermal cutout with indicator light and one time thermal fuse.
- Tangential blower for whisper quiet operation.
- Sienna White baked enamel finish.
- Open coil element assures quick heat and low maintenance.
- Three piece construction for ease of installation.
- Permanently lubricated, dust-protected bearings.

MOUNTING LIMITATIONS

For wall mounting only. Do not install back box closer than 4 inches from floor, 6 inches from adjacent walls and 36 inches from the ceiling. Do not install heater behind towel rack, behind door, in floor, in closet, in ceiling or where airflow may be obstructed. To insure proper operation, maintain 5-foot minimum clearance to furniture or other objects placed directly in front of the heater.

DIMENSIONS



NOTE: Use of mounting feet is optional.

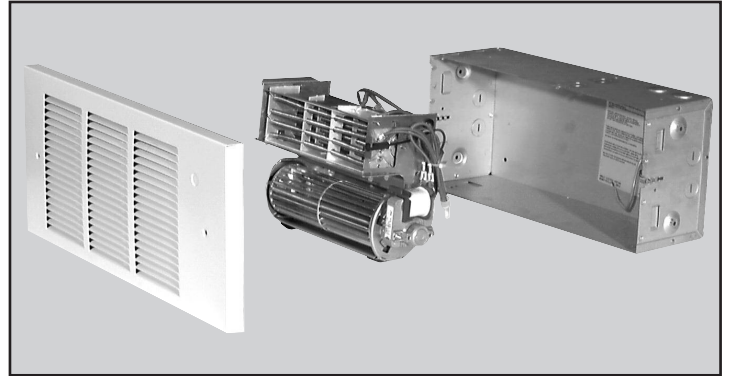
DIMENSIONS:

Grille

16-7/8"W X 7-3/4"H X 3/4"D

Back Box

14-3/8"W X 6-5/8"H X 4-3/8"D



CATALOG NUMBER	VOLTS	WATTS	BUILT-IN THERMO	AMPS.
QFG1512IFM	120	375/750/1125/1500	No	3.1/6.3/9.4/12.5
QFG2024IFM	240	500/1000/1500/2000	No	2.1/4.2/6.3/8.3
QFG2224IFM	240	563/1125/1688/2250	No	23./4.7/7.0/9.4
QFG2228IF	208	2200	No	10.6
QFG1512T2M	120	275/750/1125/1500	Yes	3.1/6.3/9.4/12.5
QFG2024T2M	240	500/1000/1500/2000	Yes	2.1/4.2/6.3/8.3
QFG2224T2M	240	563/1125/1688/2250	Yes	2.3/4.7/7.0/9.4

ACCESSORIES

CATALOG NO.	DESCRIPTION
GFRBB	Single Back Box
GFRBB6	Back Box - Multi Pack
QFGTSP	Single Pole Thermostat
QFGTDP	Double Pole Thermostat
GFRSM	Surface Mounting Frame

NOTE: "IF" models include heater assembly and grille only. Order back box separately. See accessories.

NOTE: For installations over 7500 feet above sea level we recommend using models under 1500 watts.

NOTE: T2 Model are complete heater assemblies with grille, back box, and thermostat.

