



STANLEY
PROTO

SOCKETS AND ACCESSORIES

5

1/4" THRU 1" DRIVE
HAND SOCKETS

FRACTIONAL / METRIC

1/4" THRU 1" DRIVE
RATCHETS, DRIVE TOOLS,
AND ACCESSORIES

1/4" THRU 1/2"
DRIVE PROTOBLACK
HAND SOCKETS





SOCKETS AND ACCESSORIES

5

RATCHETS

Ratchets are one of the most important tools used by industrial mechanics, when combined with sockets plus the numerous attachments that are available, Proto's reversible ratchets simplify and add speed to any turning application.

The Proto Big Dawg™ Ratchet design features a floating pawl. Contact is made with nine-pawl teeth engaging with nine gear teeth, dispersing the torque over a greater distance. The thumb operated directional switching mechanism shifts the pawl within it's cavity making it easier to go from the loosening function to the tightening function. The 6.8° arc swing and slim pear-head design enables use in tight spaces.

SOCKETS

The most commonly used sockets are 12 point because they are easier to position for rapid seating on hex or 12 point fasteners. Proto's TORQUEPLUS™ design further improves the efficiency of the 12 point design. Proto's 6 point sockets, also incorporate TORQUEPLUS™, are often used on stubborn or worn hex bolts, or bolts made from a soft material.

- Proto hand sockets incorporate the TORQUEPLUS™ wrenching system. This high performance design allows the socket to contact the fastener away from the corner while also dispensing stress over a large area.

TORQUEPLUS™

- Allows up to 15% more torque to be applied to the fastener.
- Reduces the risk of fastener rounding.
- Provides a greater opportunity to turn worn, rounded fasteners.
- Sockets incorporating TORQUEPLUS™ are identified in each individual product section.

Standard length sockets are the most commonly used length because they are more suited for close, confined areas. Deep sockets are used to accommodate nuts where bolts protrude or to access a fastener in a recessed area.

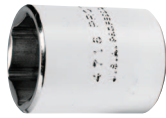
Proto offers a wide range of hand sockets and drive tools ranging from 1/4" to 1" drive, that accommodate a fastener sizes of 1/16" thru 3-1/2" and 2mm-60mm.

SAFETY

- Use safety goggles. Serious eye injury is possible.
- Pull ratchets toward you. Do not push.
- Do not use extenders or cheater bars on ratchets.
- Do not strike the ratchet head or handle.
- Maintain your balance.
- Prevent slipping. Keep tools clean.
- Disconnect electricity when working on electrical parts.







**1/4" DRIVE
STANDARD LENGTH SOCKETS—6 POINT**



Product ID No.	in.	B	C	D	E	L	Weight lbs.
4704	1/8"	1/4"	15/32"	5/32"	11/32"	7/8"	.02
4706*	3/16"	5/16"	31/64"	13/64"	11/32"	7/8"	.02
4707*	7/32"	11/32"	31/64"	13/64"	11/32"	7/8"	.02
4708*	1/4"	3/8"	31/64"	7/32"	11/32"	7/8"	.02
4709*	9/32"	27/64"	31/64"	1/4"	11/32"	7/8"	.02
4710*	5/16"	31/64"	31/64"	19/64"	9/16"	7/8"	.02
4711*	11/32"	33/64"	33/64"	11/32"	17/32"	7/8"	.02
4712*	3/8"	9/16"	9/16"	11/32"	17/32"	7/8"	.03
4714*	7/16"	5/8"	5/8"	23/64"	17/32"	7/8"	.03
4716*	1/2"	11/16"	11/16"	23/64"	17/32"	7/8"	.04
4718*	9/16"	47/64"	47/64"	23/64"	9/16"	7/8"	.06

*Fed'l Specs.: GGG-W-641E
ANSI Spec.: B107.1

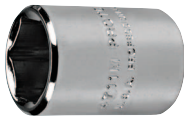


**1/4" DRIVE
STANDARD LENGTH SOCKETS—12 POINT**



Product ID No.	in.	B	C	D	E	L	Weight lbs.
4706T*	3/16"	5/16"	15/16"	13/64"	5/16"	7/8"	.02
4707T*	7/32"	11/32"	7/16"	13/64"	5/16"	7/8"	.02
4708T*	1/4"	3/8"	7/16"	7/32"	5/16"	7/8"	.02
4709T*	9/32"	27/64"	27/64"	17/64"	9/16"	7/8"	.02
4710T*	5/16"	15/32"	15/32"	19/64"	9/16"	7/8"	.02
4711T*	11/32"	1/2"	1/2"	11/32"	9/16"	7/8"	.02
4712T*	3/8"	35/64"	35/64"	23/64"	11/32"	7/8"	.03
4714T*	7/16"	5/8"	5/8"	3/8"	11/32"	7/8"	.03
4716T*	1/2"	11/16"	11/16"	23/64"	11/32"	7/8"	.04
4718T	9/16"	47/64"	47/64"	23/64"	11/32"	7/8"	.06

*Fed'l Specs.: GGG-W-641E
ANSI Spec.: B107.1



**1/4" DRIVE
METRIC STANDARD LENGTH SOCKETS—6 POINT**



Product ID No.	mm	B	C	D	E	L	Weight lbs.
4704M	4	6.9	12.0	4.5	10.3	22.2	.01
47045M	4.5	7.9	12.0	4.5	10.3	22.2	.01
4705M	5	7.9	12.0	4.5	10.3	22.2	.01
47055M	5.5	8.5	12.0	4.5	10.3	22.2	.01
4706M	6	9.4	12.0	5.5	10.3	22.2	.02
4707M	7	10.8	12.0	6.5	12.0	22.2	.02
4708M	8	12.0	12.0	7.5	13.7	22.2	.02
4709M	9	13.0	13.0	9.0	13.7	22.2	.02
4710M	10	14.6	14.6	9.0	13.7	22.2	.03
4711M	11	15.8	15.8	9.0	13.7	22.2	.04
4712M	12	16.7	16.7	9.0	13.7	22.2	.05
4713M	13	17.5	17.5	9.0	13.7	22.2	.05
4714M	14	19.0	19.0	9.0	14.2	22.2	.05

ANSI Spec.: B107.5



**1/4" DRIVE
METRIC STANDARD LENGTH SOCKETS—12 POINT**



Product ID No.	mm	B	C	D	E	L	Weight lbs.
4705TM	5	7.9	12.0	4.5	12.7	22.2	.01
47055TM	5.5	8.5	12.0	4.5	12.7	22.2	.01
4706TM	6	9.4	12.0	5.5	12.7	22.2	.02
4707TM	7	10.8	12.0	6.5	14.2	22.2	.02
4708TM	8	12.0	12.0	7.5	13.7	22.2	.02
4709TM	9	13.0	13.0	9.0	8.7	22.2	.02
4710TM	10	14.6	14.6	9.0	8.7	22.2	.03
4711TM	11	15.8	15.8	9.0	8.7	22.2	.04
4712TM	12	16.7	16.7	9.0	8.7	22.2	.05
4713TM	13	17.5	17.5	9.0	8.7	22.2	.05
4714TM	14	19.0	19.0	9.0	8.7	22.2	.05

ANSI Spec.: B107.5

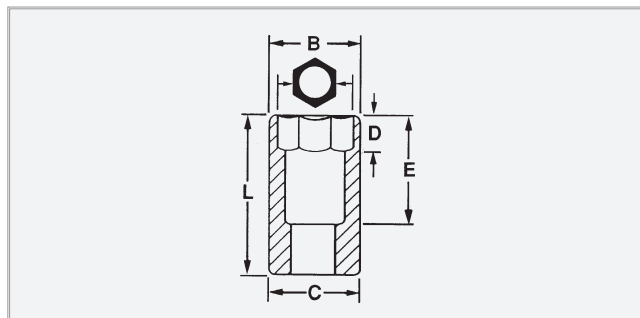


**1/4" DRIVE
STANDARD LENGTH SOCKETS—8 POINT**

Product ID No.	in.	B	C	D	E	L	Weight lbs.
4708S	1/4"	7/16"	7/16"	3/16"	17/32"	7/8"	.02
4710S	5/16"	9/16"	9/16"	3/16"	17/32"	7/8"	.04
4712S	3/8"	11/16"	11/16"	7/32"	17/32"	7/8"	.05

Fed'l Specs.: GGG-W-641E
ANSI Spec.: B107.1

REFERENCE MEASUREMENT KEY





1/4" DRIVE DEEP LENGTH SOCKETS—6 POINT



Product ID No.	in.	B	C	D	E	L	Weight lbs.
4706L	3/16"	5/16"	15/32"	9/32"	1-21/32"	2"	.05
4707L	7/32"	11/32"	15/32"	3/8"	1-21/32"	2"	.05
4708L	1/4"	25/64"	15/32"	3/8"	1-1/2"	2"	.05
4709L	9/32"	7/16"	15/32"	3/8"	1-1/2"	2"	.05
4710L	5/16"	15/32"	15/32"	3/8"	1-1/2"	2"	.06
4711L	11/32"	1/2"	1/2"	5/8"	1-1/2"	2"	.06
4712L	3/8"	9/16"	9/16"	5/8"	1-27/64"	2"	.08
4714L	7/16"	39/64"	39/64"	5/8"	1-27/64"	2"	.09
4716L	1/2"	11/16"	11/16"	5/8"	1-27/64"	2"	.11
4718L	9/16"	3/4"	3/4"	5/8"	1-27/64"	2"	.15

Fed'l Specs.: GGG-W-641E
ANSI Spec.: B107.1



1/4" DRIVE METRIC DEEP LENGTH SOCKETS—6 POINT



Product ID No.	mm	B	C	D	E	L	Weight lbs.
4704LM	4	7.0	11.7	5.0	22.0	50.5	.04
4705LM	5	7.9	11.7	7.0	22.0	50.5	.04
47055LM	5.5	8.8	11.7	7.0	22.0	50.5	.04
4706LM	6	9.4	11.7	9.5	22.0	50.5	.04
4707LM	7	10.8	11.7	9.5	22.0	50.5	.04
4708LM	8	11.7	11.7	10.5	29.2	50.5	.06
4709LM	9	12.7	12.7	15.5	29.2	50.5	.06
4710LM	10	14.4	14.4	16.0	36.0	50.5	.07
4711LM	11	15.6	15.6	16.0	36.0	50.5	.09
4712LM	12	16.5	16.5	16.0	36.0	50.5	.11
4713LM	13	17.6	17.6	16.0	36.0	50.5	.15
4714LM	14	19.6	19.6	16.0	36.0	50.5	.15

ANSI Spec.: B107.5



1/4" DRIVE DEEP LENGTH SOCKETS—12 POINT



Product ID No.	in.	B	C	D	E	L	Weight lbs.
4706LT*	3/16"	5/16"	27/64"	9/32"	1-5/32"	2"	.04
4707LT*	7/32"	11/32"	27/64"	3/8"	1-5/32"	2"	.04
4708LT*	1/4"	3/8"	27/64"	3/8"	1-5/32"	2"	.05
4709LT*	9/32"	27/64"	27/64"	3/8"	1-5/32"	2"	.05
4710LT*	5/16"	29/64"	29/64"	3/8"	1-5/32"	2"	.05
4711LT*	11/32"	1/2"	1/2"	5/8"	1-5/32"	2"	.06
4712LT*	3/8"	35/64"	35/64"	5/8"	1-5/32"	2"	.06
4714LT*	7/16"	39/64"	39/64"	5/8"	1-5/32"	2"	.08
4716LT*	1/2"	11/16"	11/16"	5/8"	1-5/32"	2"	.11
4718LT	9/16"	3/4"	3/4"	5/8"	1-5/32"	2"	.15

*Fed'l Specs.: GGG-W-641E
ANSI Spec.: B107.1



1/4" DRIVE UNIVERSAL SOCKETS—6 POINT



Product ID No.	in.	B	C	D	E	L	Weight lbs.
4771	1/4"	3/8"	35/64"	3/16"	21/64"	1-5/32"	.04
4772	5/16"	29/64"	35/64"	17/64"	25/64"	1-5/32"	.04
4773	3/8"	35/64"	35/64"	1/4"	29/64"	1-5/32"	.04
4774	7/16"	5/8"	35/64"	9/32"	3/8"	1-17/64"	.05

ANSI Spec.: B107.1



1/4" DRIVE UNIVERSAL SOCKETS—12 POINT



Product ID No.	in.	B	C	D	E	L	Weight lbs.
4770T	7/32"	11/32"	1/2"	9/32"	3/8"	1-1/4"	.04
4771T	1/4"	3/8"	1/2"	3/16"	21/64"	1-1/4"	.04
4777T	9/32"	7/16"	1/2"	9/32"	3/8"	1-1/4"	.04
4772T	5/16"	15/32"	1/2"	17/64"	25/64"	1-1/4"	.04
4778T	11/32"	1/2"	1/2"	9/32"	3/8"	1-1/4"	.04
4773T	3/8"	9/16"	1/2"	1/4"	29/64"	1-1/4"	.04
4774T	7/16"	5/8"	1/2"	9/32"	3/8"	1-1/4"	.05
4775T	1/2"	11/16"	1/2"	9/32"	3/8"	1-1/4"	.05
4776T	9/16"	3/4"	1/2"	23/64"	29/64"	1-21/64"	.07

ANSI Spec.: B107.1



1/4" DRIVE UNIVERSAL JOINT

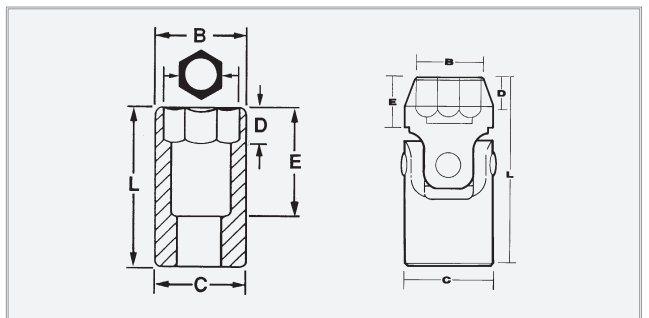
Product ID No.	L	Weight lbs.
4770	1-5/16"	.04

Fed'l Specs.: GGG-W-641E

ANSI Spec.: B107.1



AS 4283

REFERENCE MEASUREMENT KEY






**1/4" DRIVE
STANDARD SCREWDRIVER BITS**

Product ID No.			Overall Length	Weight lbs.
4743	1/4"	.040"	1-1/4"	.02
4744	3/16"	.032"	1-7/8"	.02
4745	1/4"	.040"	1-7/8"	.05





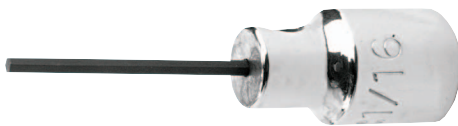
**1/4" DRIVE
PHILLIPS® SCREWDRIVER BITS**

Product ID No.		Overall Length	Weight lbs.
4737	No. 1	1-1/16"	.02
4738	No. 2	1-1/16"	.02





**1/4" DRIVE
TORX® BITS**

Product ID No.			Overall Length	Weight lbs.
4739-10W	T10	1 1/16"	1-9/16"	.04
4739-15W	T15	1 1/16"	1-9/16"	.04
4739-20W	T20	1 1/16"	1-9/16"	.04
4739-25W	T25	1 1/16"	1-9/16"	.04
4739-27W	T27	1 1/16"	1-9/16"	.04
4739-30W	T30	1 1/16"	1-9/16"	.04





**1/4" DRIVE
HEX BITS**

Product ID No.			Overall Length	Weight lbs.	Replacements
4770-1/16	1/16"	1"	1-7/8"	.03	4770-1/16RKA
4770-5/64	5/64"	1"	1-7/8"	.03	4770-5/64RKA
4770-3/32	3/32"	1"	1-7/8"	.04	4770-3/32RKA
4770-7/64	7/64"	1"	1-7/8"	.03	4770-7/64RKA
4770-1/8*	1/8"	1"	1-7/8"	.03	4770-1/8 RKA
4770-9/64	9/64"	1"	1-7/8"	.03	4770-9/64RKA
4770-5/32*	5/32"	1"	1-7/8"	.03	4770-5/32RKA
4770-3/16	3/16"	1"	1-7/8"	.04	4770-3/16RKA
4770-7/32	7/32"	1"	1-7/8"	.04	4770-7/32RKA
4770-1/4	1/4"	1"	1-7/8"	.04	4770-1/4RKA
4770-5/16	5/16"	1"	1-7/8"	.06	4770-5/16RKA

*Fed'l Specs.: GGG-W-641E



**1/4" DRIVE
METRIC HEX BITS**

Product ID No.		mm		Overall Length	Weight lbs.	Replacements
4770-2M	2	25.4	25.4	47.6	.03	
4770-2.5M	2.5	25.4	25.4	47.6	.03	4770-2.5MRKA
4770-3M	3	25.4	25.4	47.6	.03	4770-3MRKA
4770-4M	4	25.4	25.4	47.6	.04	4770-4MRKA
4770-5M	5	25.4	25.4	47.6	.04	
4770-6M	6	25.4	25.4	47.6	.04	



**1/4" DRIVE BIG DAWG™
STANDARD LENGTH PEAR HEAD RATCHET**

- 45 tooth gear/floating pawl design for small 6.8° arc swing.
- 13% smaller head for access in tight work areas.
- Reversing lever designed for quick, one hand operation.

Product ID No.	Overall Length	Weight lbs.	Repair Kit
4749P	5"	.24	14PRK

Fed'l Specs.: GGG-W-641E
ANSI Spec.: B107.10M



**1/4" DRIVE BIG DAWG™
STANDARD LENGTH PEAR HEAD FLEX RATCHET**

- 45 tooth gear/floating pawl design for small 6.8° arc swing.
- 13% smaller head for access in tight work areas.
- 180° flex.

Product ID No.	Overall Length	Weight lbs.	Repair Kit
4749PF	5-1/4"	.25	14PRK

Fed'l Specs.: GGG-W-641E
ANSI Spec.: B107.10M



**1/4" DRIVE BIG DAWG™
PEAR HEAD RATCHET—PROTOBLACK™**

- Black oxide finish.
- 45 tooth gear/floating pawl design for small 6.8° arc swing.
- 13% smaller head for access in tight work areas.
- Reversing lever designed for quick, one hand operation.

Product ID No.	Overall Length	Weight lbs.	Repair Kit
4749PBL	5"	.24	14RPK

Fed'l Specs.: GGG-W-641E
ANSI Spec.: B107.10M



**1/4" DRIVE STANDARD LENGTH
ROUND HEAD RATCHET**

- 4° ratcheting angle.
- Speeder ring.

Product ID No.	Overall Length	Weight lbs.	Repair Kit
4752A	4-5/8"	.23	4752ARK

Fed'l Specs.: GGG-W-641E
ANSI Spec.: B107.10M
AS 4283



**1/4" DRIVE STANDARD LENGTH
ROUND HEAD RATCHET—PROTOBLACK™**

- Black oxide finish.
- 4° ratcheting angle.
- Speeder ring.

Product ID No.	Overall Length	Weight lbs.	Repair Kit
4752ABL	4-5/8"	.23	4752ARK

Fed'l Specs.: GGG-W-641E
ANSI Spec.: B107.10M
AS 4283



1/4" DRIVE AEROSPACE PEAR HEAD RATCHET

- Vertical hole drilled in drive plug, designed for installation of frangible collars on threaded pins.
- Metal spring clip on drive plug for positive socket retention.
- Unique 24 tooth gear/floating pawl design provides 15° ratcheting angle while maximizing ultimate torque.
- Thin head design for access into tight work areas.
- Reversing lever designed for quick, one hand operations.

Product ID No.	Overall Length	Weight lbs.
4749HS	5"	0.24

Fed'l Specs.: GGG-W-641E
ANSI Spec.: B107.10M



1/4" DRIVE FLEX-HEAD RATCHET

- 180° flex.
- 4° ratcheting angle.
- Speeder ring.

Product ID No.	Overall Length	Weight lbs.	Repair Kit
4757	6-37/64"	.32	4752ARK



1/4" DRIVE INDEXABLE RATCHET

- Seven flex-head angles allow users to maneuver "over" obstructions.
- One-hand indexable head release switch allows the user to lock/unlock the indexable head with one hand, eliminating the need to remove the tool from the work area.
- 360-degree head rotation allows the user to quickly run down a fastener.
- 24 indexing angles provides a new angle every 15 degrees to access fasteners where standard ratchets require disassembly of the obstruction.
- Reduced head dimensions allow access to confined areas where head height and width are critical.
- High quality alloy ratchet gear provides exceptional torque and cycle life.
- Comfort grip handle prevents fatigue during use.
- Sealed transfer case prevents dirt and debris penetration and prolongs performance and durability.

Product ID No.	Overall Length	Weight lbs.	Repair Kit
4757L	7-1/4"	6oz	4752ARK



1/4" DRIVE SPIN-FLEX® RATCHETS

- Patented design features an adjustable handle that can be positioned and locked into one of the four different angles to provide comfort as well as a unique handle position.
- Handle can be released so that it can rotate freely allowing the user to "speed" fasteners on and off rather than ratchet the traditional way.
- 4-way adjustable handle grip provides maximum comfort for the user.
- Reduced head dimensions allows access to confined areas.
- High quality alloy ratchet gear provides exceptional torque and cycle life.
- Comfort grip handle.

Product ID No.	Description	Dimensions	Repair Kit
4750	1/4" Dr. Spin-Flex® Ratchet	11-7/8" L x 1-1/8" W	4752ARK



1/4" DRIVE STANDARD DRIVE EXTENSION

Product ID No.	Overall Length	Weight lbs.
4759†	2"	.05
4760	3"	.07
4761††	6"	.14
4763	14"	.28

*Fed'l Specs.: GGG-W-641E
ANSI Spec.: B107.10M
† AS 4283



1/4" DRIVE FLEXIBLE DRIVE EXTENSION

Product ID No.	Overall Length	Weight lbs.
4765	6"	.10

Fed'l Specs.: GGG-W-641E
ANSI Spec.: B107.10M



1/4" DRIVE SLIDING TEE HANDLE

Product ID No.	Overall Length	Weight lbs.
4785	4-1/2"	.08

Fed'l Specs.: GGG-W-641E
ANSI Spec.: B107.10M



1/4" DRIVE SOCKET DRIVER

- 1/4" square female drive in handle.

Product ID No.	Overall Length	Weight lbs.
4769	6"	.21

Fed'l Specs.: GGG-W-641E
ANSI Spec.: B107.10M



1/4" DRIVE FLEXIBLE DRIVER

Product ID No.	Overall Length	Weight lbs.
4764	6-3/4"	.19



1/4" DRIVE LOCKING DRIVE EXTENSION

- One piece extension design.
- Provides positive socket retention.
- Use where accidental socket disengagement may be a concern or safety hazard.

Product ID No.	Overall Length	Weight lbs.
4759L	2"	.08
4761L	6"	.20



1/4" DRIVE WOBBLE EXTENSIONS



- Provides up to 17° angle of operation.

Product ID No.	Overall Length	Weight lbs.
4759W	2"	.05
4760W	3"	.07



1/4" DRIVE HINGE HANDLE

Product ID No.	Overall Length	Weight lbs.
4766	5-3/4"	.22

Fed'l Specs.: GGG-W-641E
ANSI Spec.: B107.10M
AS 4283



1/4" DRIVE SPEED HANDLE

Product ID No.	Overall Length	Weight lbs.
4780	16-1/6"	.39

Fed'l Specs.: GGG-W-641E
ANSI Spec.: B107.10M
AS 4283



1/4" DRIVE ADAPTERS

Product ID No.	Overall Length	Weight lbs.
5255	3/8" F x 1/4" M	.05
5256*	1/4" F x 3/8" M	.03

*Fed'l Specs.: GGG-W-641E

WARNING: Do not use hand sockets or adapters on impact guns. ANSI Spec.: B107.10M



**3/8" DRIVE
STANDARD LENGTH SOCKETS—6 POINT**



Product ID No.	in.	B	C	D	E	L	Weight lbs.
5208H*	1/4"	13/32"	43/64"	23/64"	21/32"	1-3/32"	.05
5210H*	5/16"	15/32"	43/64"	23/64"	21/32"	1-3/32"	.05
5212H*	3/8"	9/16"	43/64"	23/64"	21/32"	1-3/32"	.05
5214H*	7/16"	41/64"	43/64"	23/64"	21/32"	1-3/32"	.05
5216H*	1/2"	47/64"	47/64"	23/64"	11/16"	1-1/8"	.06
5218H*	9/16"	13/16"	13/16"	1/2"	11/16"	1-1/8"	.09
5220H*	5/8"	7/8"	7/8"	33/64"	11/16"	1-1/8"	.10
5222H*	11/16"	61/64"	61/64"	17/32"	11/16"	1-1/8"	.12
5224H*	3/4"	1-1/64"	1-1/64"	39/64"	3/4"	1-3/16"	.15
5226H*	13/16"	1-3/32"	1-3/32"	39/64"	3/4"	1-3/16"	.14
5228H*	7/8"	1-3/16"	1-3/16"	43/64"	7/8"	1-5/16"	.19
5230H	15/16"	1-5/16"	1-5/16"	49/64"	7/8"	1-5/16"	.26
5232H	1"	1-3/8"	1-3/8"	13/16"	15/16"	1-3/8"	.30

*Fed'l Specs.: GGG-W-641E

*ANSI Spec.: B107.1



**3/8" DRIVE
STANDARD LENGTH SOCKETS—12 POINT**



Product ID No.	in.	B	C	D	E	L	Weight lbs.
5208*	1/4"	25/64"	43/64"	23/64"	21/32"	1-3/32"	.05
5210*	5/16"	15/32"	43/64"	23/64"	21/32"	1-3/32"	.05
5212*	3/8"	35/64"	43/64"	23/64"	21/32"	1-3/32"	.05
5214*	7/16"	41/64"	43/64"	23/64"	21/32"	1-3/32"	.05
5216*	1/2"	47/64"	47/64"	23/64"	21/32"	1-1/8"	.06
5218*	9/16"	13/16"	13/16"	1/2"	11/16"	1-1/8"	.09
5220*	5/8"	7/8"	7/8"	33/64"	11/16"	1-1/8"	.10
5222*	11/16"	61/64"	61/64"	17/32"	11/16"	1-1/8"	.12
5224*	3/4"	1-1/32"	1-1/32"	39/64"	3/4"	1-3/16"	.15
5226*	13/16"	1-3/32"	1-3/32"	39/64"	3/4"	1-3/16"	.14
5228*	7/8"	1-3/16"	1-5/16"	41/64"	7/8"	1-5/16"	.19
5230	15/16"	1-9/32"	1-5/16"	49/64"	7/8"	1-5/16"	.26
5232	1"	1-5/16"	1-3/8"	13/16"	15/16"	1-3/8"	.30

*Fed'l Specs.: GGG-W-641E

*ANSI Spec.: B107.1



**3/8" DRIVE
METRIC STANDARD LENGTH SOCKETS—6 POINT**



Product ID No.	mm	B	C	D	E	L	Weight lbs.
5206MH	6	10.0	17.0	6.5	15.6	27.8	.04
5207MH	7	10.9	17.0	6.5	15.6	27.8	.04
5208MH	8	12.0	17.0	6.5	15.6	27.8	.04
5209MH	9	12.9	17.0	7.0	15.6	27.8	.04
5210MH	10	14.9	17.0	7.0	15.6	27.8	.04
5211MH	11	16.4	17.0	7.0	15.6	27.8	.04
5212MH	12	17.7	17.7	7.0	17.3	28.5	.05
5213MH	13	18.7	18.7	7.0	17.3	28.5	.08
5214MH	14	19.8	19.8	12.0	17.3	28.5	.08
5215MH	15	21.4	21.4	13.5	17.3	28.5	.09
5216MH	16	22.0	22.0	13.5	17.3	28.5	.09
5217MH	17	23.7	23.7	13.5	17.3	28.5	.13
5218MH	18	24.2	24.2	13.5	18.9	30.1	.13
5219MH	19	25.5	25.5	13.5	18.9	30.1	.14
5220MH	20	27.6	27.6	16.0	18.9	30.1	.16

ANSI Spec.: B107.5



**3/8" DRIVE
METRIC STANDARD LENGTH SOCKETS—12 POINT**



Product ID No.	mm	B	C	D	E	L	Weight lbs.
5206M	6	10.0	17.0	6.5	17.8	27.8	.04
5207M	7	10.9	17.0	6.5	17.8	27.8	.04
5208M	8	12.0	17.0	6.5	17.8	27.8	.04
5209M	9	12.9	17.0	7.0	17.8	27.8	.04
5210M	10	14.9	17.0	8.0	17.8	27.8	.04
5211M	11	16.4	17.0	8.5	17.8	27.8	.05
5212M	12	17.7	17.7	7.0	12.8	28.5	.05
5213M	13	18.7	18.7	7.0	12.8	28.5	.08
5214M	14	19.8	19.8	12.0	11.0	28.5	.08
5215M	15	21.4	21.4	13.5	11.0	28.5	.09
5216M	16	22.0	22.0	13.5	11.0	28.5	.11
5217M	17	23.7	23.7	13.5	11.0	28.5	.13
5218M	18	24.2	24.2	13.5	12.6	30.1	.13
5219M	19	25.5	25.5	13.5	12.6	30.1	.14
5220M	20	27.6	27.6	16.0	12.6	30.1	.16

ANSI Spec.: B107.5



**3/8" DRIVE
STANDARD LENGTH SOCKETS—8 POINT**

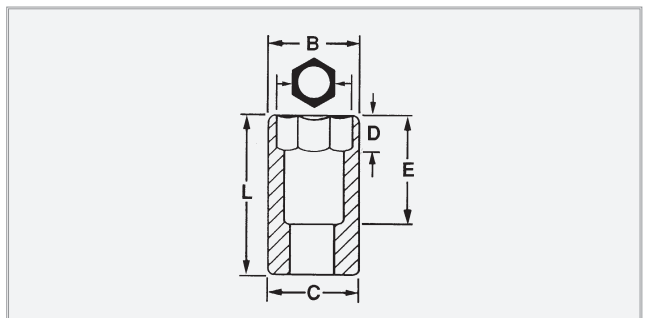
• For square nuts

Product ID No.	in.	B	C	D	E	L	Weight lbs.
5208S	1/4"	33/64"	5/8"	3/16"	39/64"	1-5/64"	.04
5210S	5/16"	9/16"	5/8"	1/4"	39/64"	1-5/64"	.05
5212S	3/8"	11/16"	11/16"	1/4"	39/64"	1-5/64"	.07
5214S	7/16"	3/4"	3/4"	17/64"	39/64"	1-5/64"	.08
5216S	1/2"	7/8"	7/8"	5/16"	21/32"	1-1/8"	.12

Fed'l Specs.: GGG-W-641E

ANSI Spec.: B107.1

REFERENCE MEASUREMENT KEY





**3/8" DRIVE
STANDARD SUPER SHORT SOCKETS—6 POINT**

Product ID No.	in.	L	Width
5206HS	3/16"	3/4"	5/8"
5208HS	1/4"	13/16"	5/8"
5210HS	5/16"	3/4"	5/8"
5212HS	3/8"	3/4"	5/8"
5214HS	7/16"	7/8"	3/4"
5216HS	1/2"	7/8"	3/4"
5218HS	9/16"	7/8"	3/4"
5220HS	5/8"	15/16"	7/8"
5222HS	11/16"	15/16"	15/16"
5224HS	3/4"	15/16"	15/16"



**3/8" DRIVE
METRIC SUPER SHORT SOCKETS—6 POINT**

Product ID No.	mm	L	Width
5209MHS	9 mm	34"	5/8"
5210MHS	10 mm	13/16"	5/8"
5211MHS	11 mm	3/4"	5/8"
5212MHS	12 mm	3/4"	5/8"
5213MHS	13 mm	7/8"	3/4"
5214MHS	14 mm	7/8"	3/4"
5215MHS	15 mm	7/8"	3/4"
5216MHS	16 mm	15/16"	7/8"
5217MHS	17 mm	15/16"	15/16"
5218MHS	18 mm	15/16"	15/16"
5219MHS	19 mm	1"	1"



3/8" DRIVE DEEP LENGTH SOCKETS—6 POINT



Product ID No.	in.	B	C	D	E	L	Weight lbs.
5008H*	1/4"	25/64"	41/64"	21/64"	1-11/16"	2-1/64"	.08
5010H*	5/16"	15/32"	41/64"	13/32"	1-11/16"	2-1/64"	.09
5012H*	3/8"	9/16"	41/64"	13/32"	1-11/16"	2-1/64"	.09
5014H*	7/16"	41/64"	41/64"	7/16"	1-11/16"	2-1/64"	.09
5016H*	1/2"	23/32"	23/32"	33/64"	1-11/16"	2-1/64"	.10
5018H*	9/16"	51/64"	51/64"	19/32"	1-11/16"	2-1/64"	.16
5020H*	5/8"	7/8"	7/8"	21/32"	1-11/16"	2-3/4"	.18
5022H*	11/16"	61/64"	61/64"	21/32"	1-23/32"	2-3/4"	.20
5024H*	3/4"	1-1/64"	1-1/64"	11/16"	1-23/32"	2-3/4"	.23
5026H*	13/16"	1-5/64"	1-5/64"	11/16"	2-5/64"	2-3/4"	.28
5028H*	7/8"	1-11/64"	1-11/64"	11/16"	2-5/64"	2-3/4"	.30
5030H	15/16"	1-15/64"	1-15/64"	1-3/16"	2-5/64"	2-3/4"	.32
5032H	1"	1-21/64"	1-21/64"	1-1/16"	2-5/64"	2-3/4"	.32

*Fed'l Specs.: GGG-W-641E

*ANSI Spec.: B107.1



**3/8" DRIVE
METRIC DEEP LENGTH SOCKETS—6 POINT**



Product ID No.	mm	B	C	D	E	L	Weight lbs.
5006MH*	6	10.0	16.5	8.0	42.8	54.0	.09
5007MH*	7	10.9	16.5	8.0	42.8	54.0	.09
5008MH*	8	12.0	16.5	8.0	49.1	54.0	.09
5009MH*	9	12.9	16.5	10.0	42.8	54.0	.09
5010MH*	10	14.8	16.5	10.0	42.8	54.0	.09
5011MH*	11	16.5	16.5	11.0	42.8	54.0	.09
5012MH*	12	17.7	17.7	13.0	38.1	54.0	.10
5013MH*	13	18.4	18.4	13.0	38.1	54.0	.10
5014MH*	14	19.9	19.9	15.0	38.1	54.0	.15
5015MH*	15	22.0	22.0	16.5	58.7	69.9	.16
5016MH*	16	22.0	22.0	16.5	58.7	69.9	.16
5017MH*	17	23.7	23.7	16.5	58.7	69.9	.16
5018MH*	18	23.9	23.9	16.5	58.7	69.9	.21
5019MH*	19	25.6	25.6	17.5	58.7	69.9	.23
5020MH*	20	27.4	27.4	17.5	58.7	69.9	.25
5021MH*	21	27.4	27.4	17.5	58.7	69.9	.26
5022MH*	22	29.9	29.9	17.5	58.7	69.9	.27
5023MH	23	31.5	31.5	30.0	58.7	69.9	.29

*ANSI Spec.: B107.5



3/8" DRIVE DEEP LENGTH SOCKETS—12 POINT

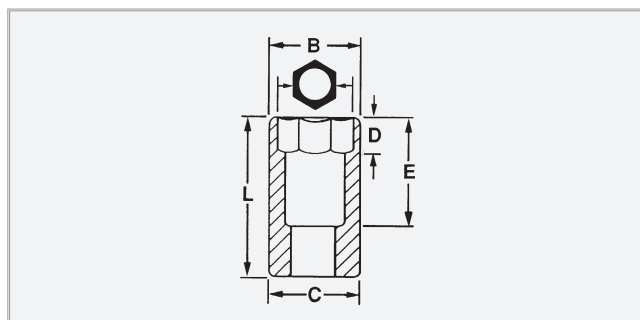


Product ID No.	in.	B	C	D	E	L	Weight lbs.
5008*	1/4"	13/32"	21/32"	5/16"	1-11/16"	2-1/8"	.08
5010*	5/16"	15/32"	21/32"	13/32"	1-11/16"	2-1/8"	.08
5012*	3/8"	35/64"	21/32"	13/32"	1-11/16"	2-1/8"	.09
5014*	7/16"	21/32"	21/32"	7/16"	1-11/16"	2-1/8"	.09
5028*	7/8"	1-15/64"	1-15/64"	1-3/16"	2-5/16"	2-3/4"	.10
5016*	1/2"	23/32"	23/32"	33/64"	1-11/16"	2-1/8"	.10
5018*	9/16"	51/64"	51/64"	19/32"	1-11/16"	2-1/8"	.16
5020*	5/8"	7/8"	7/8"	43/64"	2-5/16"	2-3/4"	.18
5022*	11/16"	15/16"	15/16"	43/64"	2-5/16"	2-3/4"	.20
5024*	3/4"	1-1/64"	1-1/64"	43/64"	2-5/16"	2-3/4"	.23
5026*	13/16"	1-5/64"	1-5/64"	43/64"	2-5/16"	2-3/4"	.28
5030	15/16"	1-15/64"	1-15/64"	1-3/16"	2-5/16"	2-3/4"	.32
5032	1"	1-5/16"	1-5/16"	1-3/16"	2-5/16"	2-3/4"	.32

Fed'l Specs.: GGG-W-641E

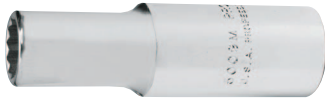
ANSI Spec.: B107.1

REFERENCE MEASUREMENT KEY



25.4 mm = 1 inch
454 grams = 1 pound

MADE IN
USA



**3/8" DRIVE
METRIC DEEP LENGTH SOCKETS—12 POINT**



Product ID No.	mm	B	C	D	E	L	Weight lbs.
5007M	7	10.9	16.5	10.0	44.0	54.0	.09
5008M	8	12.0	16.5	10.0	44.0	54.0	.09
5009M	9	12.9	16.5	10.0	44.0	54.0	.09
5010M	10	14.8	16.5	10.0	44.0	54.0	.09
5011M	11	16.5	16.5	11.0	43.0	54.0	.09
5012M	12	17.7	17.7	13.0	41.0	54.0	.10
5013M	13	18.4	18.4	13.0	41.0	54.0	.13
5014M	14	19.9	19.9	15.0	39.0	54.0	.14
5015M	15	22.0	22.0	16.5	53.4	69.9	.15
5016M	16	22.0	22.0	16.5	53.4	69.9	.15
5017M	17	23.7	23.7	16.5	53.4	69.9	.15
5018M	18	23.9	23.9	16.5	53.4	69.9	.19
5019M	19	25.6	25.6	17.5	52.4	69.9	.21
5020M	20	27.4	27.4	17.5	52.4	69.9	.25

ANSI Spec.: B107.5



3/8" DRIVE UNIVERSAL SOCKETS—12 POINT



Product ID No.	in.	B	C	D	E	L	Weight lbs.
5272*	5/16"	15/32"	23/32"	15/64"	27/64"	1-13/16"	.10
5273*	3/8"	35/64"	23/32"	1/4"	27/64"	1-13/16"	.11
5274*	7/16"	41/64"	23/32"	1/4"	27/64"	1-13/16"	.11
5275*	1/2"	23/32"	23/32"	9/32"	33/64"	1-59/64"	.11
5276*	9/16"	25/32"	25/32"	21/64"	17/32"	1-59/64"	.15
5277*	5/8"	7/8"	7/8"	3/8"	39/64"	2-5/64"	.17
5278*	11/16"	31/32"	7/8"	3/8"	5/8"	2-5/32"	.19
5279*	3/4"	1"	7/8"	7/16"	43/64"	2-15/64"	.20
5280T	13/16"	1-3/32"	25/32"	7/16"	9/16"	1-15/16"	.27
5281T*	7/8"	1-3/16"	25/32"	1/2"	5/8"	2-1/32"	.31
5282T	15/16"	1-1/4"	25/32"	1/2"	5/8"	2-3/32"	.35
5283T	1"	1-11/32"	25/32"	17/32"	2-3/16"	2-3/16"	.39

*Fed'l Specs.: GGG-W-641E

*ANSI Spec.: B107.1



3/8" DRIVE UNIVERSAL SOCKETS—6 POINT



Product ID No.	in.	B	C	D	E	L	Weight lbs.
5272H	5/16"	15/32"	23/32"	15/64"	27/64"	1-13/16"	.12
5273H*	3/8"	35/64"	23/32"	1/4"	27/64"	1-13/16"	.13
5274H*	7/16"	41/64"	23/32"	1/4"	27/64"	1-13/16"	.13
5275H*	1/2"	23/32"	23/32"	9/32"	33/64"	1-59/64"	.13
5276H*	9/16"	25/32"	25/32"	21/64"	17/32"	1-59/64"	.15
5277H*	5/8"	7/8"	7/8"	3/8"	39/64"	2-5/64"	.17
5278H*	11/16"	31/32"	7/8"	3/8"	5/8"	2-5/32"	.19
5279H*	3/4"	1"	7/8"	7/16"	43/64"	2-15/64"	.23

*Fed'l Specs.: GGG-W-641E

ANSI Spec.: B107.1



**3/8" DRIVE
METRIC UNIVERSAL SOCKETS—12 POINT**



Product ID No.	mm	B	C	D	E	L	Weight lbs.
5272M	9	13.0	18.2	7.9	10.1	44.4	.11
5273M	10	13.8	18.2	8.7	10.1	44.4	.11
5274M	11	15.1	18.2	8.7	10.1	44.4	.11
5275M	12	16.5	18.2	8.7	12.7	44.4	.11
5276M	13	18.3	18.2	8.7	12.7	44.4	.11
5277M	14	19.8	18.2	9.5	13.2	47.7	.15
5278M	15	20.5	18.2	9.5	16.2	47.7	.17
5279M	16	22.0	18.2	10.3	12.9	48.0	.11
5280M	17	23.7	18.2	11.0	12.9	48.0	.13

ANSI Spec.: B107.5



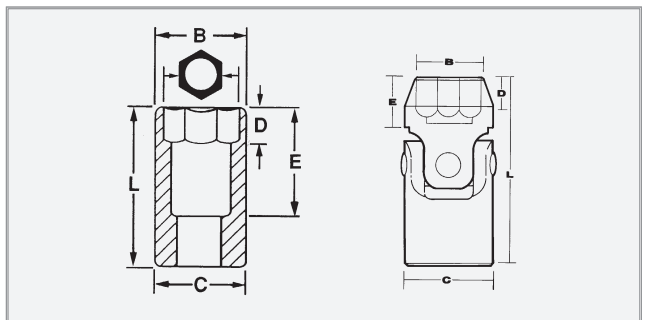
**3/8" DRIVE
METRIC UNIVERSAL SOCKETS—6 POINT**



Product ID No.	mm	B	C	D	E	L	Weight lbs.
5271MH	8	11.6	18.1	7.9	11.0	44.7	.04
5273MH	10	13.8	18.1	8.7	11.0	44.7	.04
5274MH	11	15.1	18.1	8.7	11.0	44.7	.05
5275MH	12	16.5	18.1	8.7	11.0	44.7	.05
5276MH	13	18.2	19.7	8.7	11.0	44.7	.08
5277MH	14	19.7	19.7	9.5	12.5	47.6	.08
5278MH	15	20.4	19.7	9.5	12.5	47.6	.09
5280MH	17	23.7	19.7	11.0	12.9	48.0	.13

ANSI Spec.: B107.5

REFERENCE MEASUREMENT KEY



WARNING: WORK SAFELY WITH TOOLS WEAR SAFETY GOGGLES.

**Toll Free Customer Service Number: 1-800-800-TOOL
Customer Service FAX Number: 1-770-385-3708**



3/8" DRIVE DEEP LENGTH UNIVERSAL SOCKETS—6 POINT



Product ID No.	in.	B	C	D	E	L	Weight lbs.
5274LH	7/16"	5/8"	23/32"	3/4"	11/8"	2-17/32"	.15
5275LH	1/2"	23/32"	23/32"	3/4"	11/8"	2-17/32"	.15
5276LH	9/16"	25/32"	25/32"	3/4"	13/64"	2-15/32"	.18
5277LH	5/8"	7/8"	7/8"	3/4"	15/16"	2-15/32"	.20



3/8" DRIVE STANDARD SCREWDRIVER BITS

Product ID No.	in.	in.	Overall Length	Weight lbs.
5246	1/4"	.030"	1-13/16"	.06
5240	5/16"	.040"	3"	.09



3/8" DRIVE SPARK PLUG SOCKETS—6 POINT

• With rubber insert.

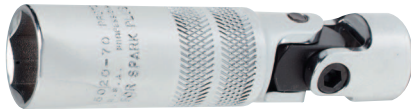
Product ID No.	in.	L	Width
5020-50	5/8"	2-1/2"	.19
5026HPA	13/16"	2-1/2"	.30

Fed'l Specs.: GGG-W-641E



3/8" DRIVE PHILLIPS® SCREWDRIVER BITS

Product ID No.		Overall Length	Weight lbs.
5241	No. 2	1-31/32"	.05
5242	No. 3	1-31/32"	.06
5243	No. 4	1-31/32"	.07



3/8" DRIVE UNIVERSAL SPARK PLUG SOCKETS—6 POINT

• With rubber insert.

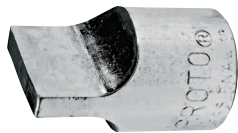
Product ID No.	in.	B	C	D	L	Weight lbs.
5020-70	5/8"	27/32"	27/32"	3/8"	3-3/8"	.28
5026-50	13/16"	1-1/16"	23/32"	1/4"	3-3/8"	.35

Fed'l Specs.: GGG-W-641E



3/8" DRIVE TORX® BITS

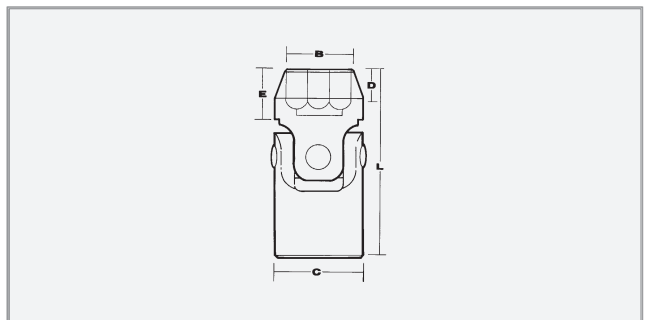
Product ID No.		in.	Overall Length	Weight lbs.
5239-10W	T10	5/8"	1-23/32"	.06
5239-15W	T15	5/8"	1-23/32"	.06
5239-20W	T20	5/8"	1-23/32"	.06
5239-25W	T25	5/8"	1-23/32"	.06
5239-27W	T27	5/8"	1-23/32"	.06
5239-30W	T30	7/8"	1-31/32"	.08
5239-40W	T40	7/8"	1-31/32"	.09
5239-45W	T45	7/8"	1-31/32"	.09
5239-50W	T50	7/8"	1-31/32"	.10
5239-55W	T55	7/8"	1-31/32"	.11



3/8" DRIVE DRAG LINK SOCKET

Product ID No.	in.	in.	Overall Length	Weight lbs.
5244	11/16"	.120"	1-1/8"	.07

REFERENCE MEASUREMENT KEY

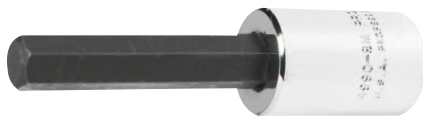




3/8" DRIVE HEX BITS

Product ID No.	in.		Overall Length	Weight lbs.	Replacements
4990-1/8	1/8"	1-5/8"	2-23/32"	.05	4980RKA
4990-5/32	5/32"	1-5/8"	2-23/32"	.05	4981RKA
4990-3/16*	3/16"	1-5/8"	2-23/32"	.06	4982RKA
4990-7/32*	7/32"	1-5/8"	2-23/32"	.07	4984RKA
4990-1/4*	1/4"	1-5/8"	2-23/32"	.08	4985RKA
4990-5/16*	5/16"	1-5/8"	2-23/32"	.10	4987RKA
4990-3/8*	3/8"	1-5/8"	2-23/32"	.13	4988RKA

*Fed'l Specs.: GGG-W-641E



3/8" DRIVE METRIC HEX BITS

Product ID No.	mm		Overall Length	Weight lbs.	Replacements
4990-4M	4	41.3	69.1	.05	1404MRKA
4990-5M	5	41.3	69.1	.05	1405MRKA
4990-6M	6	41.3	69.1	.08	1406MRKA
4990-7M	7	41.3	69.1	.08	1407MRKA
4990-8M	8	41.3	69.1	.10	1408MRKA
4990-9M	9	41.3	69.1	.14	1409MRKA
4990-10M	10	41.3	69.1	.14	1410MRKA



3/8" DRIVE SHORT HEX BITS

Product ID No.	in.		Overall Length	Weight lbs.	Replacements
4990-1/8ST	1/8"	3/4"	1-13/16"	.06	4990-1/8STRKA
4990-5/32ST	5/32"	3/4"	1-13/16"	.08	4990-5/32STRKA
4990-3/16ST	3/16"	3/4"	1-13/16"	.08	4990-3/16STRKA
4990-7/32ST	7/32"	3/4"	1-13/16"	.08	4990-7/32STRKA
4990-1/4ST	1/4"	3/4"	1-13/16"	.08	4990-1/4STRKA
4990-5/16ST	5/16"	3/4"	1-13/16"	.10	4990-5/16STRKA
4990-3/8ST	3/8"	3/4"	1-13/16"	.10	4990-3/8STRKA



3/8" DRIVE METRIC SHORT HEX BITS

Product ID No.	mm		Overall Length	Weight lbs.	Replacements
4990-5MST	5	17.5	45.2	.05	4990-5MSTRKA
4990-6MST	6	17.5	45.2	.05	4990-6MSTRKA
4990-8MST	8	17.5	45.2	.08	4990-8MSTRKA
4990-10MST	10	17.5	45.2	.10	4990-10MSTRKA



3/8" DRIVE EXTRA LONG HEX BITS

Product ID No.	in.		Overall Length	Weight lbs.	Replacements
4990-1/8XL	1/8"	5"	6-3/32"	.06	4990-1/8XLRKA
4990-5/32XL	5/32"	5"	6-3/32"	.07	4990-5/32XLRKA
4990-3/16XL	3/16"	5"	6-3/32"	.08	4990-3/16XLRKA
4990-7/32XL	7/32"	5"	6-3/32"	.10	4990-7/32XLRKA
4990-1/4XL	1/4"	5"	6-3/32"	.12	4990-1/4XLRKA
4990-5/16XL	5/16"	5"	6-3/32"	.18	4990-5/16XLRKA
4990-3/8XL	3/8"	5"	6-3/32"	.25	4990-3/8XLRKA



3/8" DRIVE METRIC EXTRA LONG HEX BITS

Product ID No.	mm		Overall Length	Weight lbs.	Replacements
4990-4MXL	4	127.0	154.8	.08	4990-4MXLRKA
4990-5MXL	5	127.0	154.8	.08	4990-5MXLRKA
4990-6MXL	6	127.0	154.8	.12	4990-6MXLRKA
4990-7MXL	7	127.0	154.8	.13	4990-7MXLRKA
4990-8MXL	8	127.0	154.8	.16	4990-8MXLRKA
4990-10MXL	10	127.0	154.8	.27	4990-10MXLRKA



3/8" DRIVE BALL STYLE EXTRA LONG HEX BITS

Product ID No.	in.		Overall Length	Weight lbs.
4904BD	1/8"	5"	6-3/32"	.06
4905BD	5/32"	5"	6-3/32"	.07
4906BD	3/16"	5"	6-3/32"	.08
4907BD	7/32"	5"	6-3/32"	.10
4908BD	1/4"	5"	6-3/32"	.12
4910BD	5/16"	5"	6-3/32"	.18
4912BD	3/8"	5"	6-3/32"	.25



**3/8" DRIVE
FLARE NUT CROWFOOT WRENCHES—12 POINT**

• With side lock hole.



Product ID No.	in.	B	C	D	E	Weight lbs.
4920FL	5/8"	63/64"	29/64"	11/16"	3/4"	.06
4922FL	11/16"	1-3/64"	1/2"	11/16"	51/64"	.06
4924FL	3/4"	1-11/64"	17/32"	23/32"	27/32"	.06
4926FL	13/16"	1-1/16"	19/32"	23/32"	57/64"	.06
4928FL	7/8"	1-11/32"	21/32"	3/4"	63/64"	.06
4930FL	15/16"	1-27/64"	11/16"	3/4"	61/64"	.06
4932FL	1"	1-1/2"	23/32"	25/32"	1-1/32"	.13
4934FL	1-1/16"	1-7/64"	49/64"	25/32"	1-1/16"	.13

*Fed'l Specs.: GGG-C-1507A



3/8" DRIVE TORQUE ADAPTERS

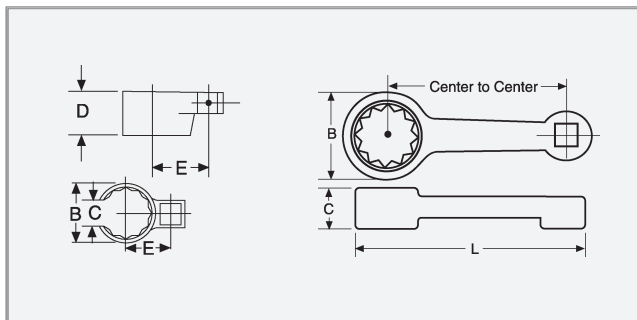
- Adapters measure 2" from the center of the adapter opening to the center of the square drive for easy torque calculations.
- See Safety & Specification Section for how to use information.



Product ID No.	in.	B	C	L	Center to Center	Weight lbs.
5112	3/8"	9/16"	17/64"	2-11/16"	2"	.08
5114	7/16"	13/16"	19/64"	2-47/64"	2"	.10
5116	1/2"	47/64"	21/64"	2-25/32"	2"	.10
5118	9/16"	13/16"	23/64"	2-13/16"	2"	.12
5120	5/8"	29/32"	25/64"	2-55/64"	2"	.12
5122	11/16"	1"	27/64"	2-29/32"	2"	.12
5124	3/4"	1-5/64"	29/64"	2-61/64"	2"	.12
5126	13/16"	1-11/64"	31/64"	2-63/64"	2"	.14
5128	7/8"	1-17/64"	33/64"	3-1/52"	2"	.16

AS 954

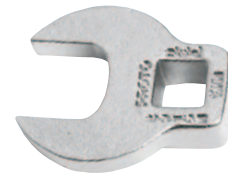
REFERENCE MEASUREMENT KEY



3/8" DRIVE CROWFOOT WRENCHES

Product ID No.	in.	Length	Weight lbs.
4912	3/8"	1-13/64"	.05
4914*	7/16"	1-3/16"	.05
4916*	1/2"	1-5/16"	.06
4918*	9/16"	1-9/32"	.06
4920*	5/8"	1-1/2"	.06
4922*	11/16"	1-31/64"	.09
4924*	3/4"	1-41/64"	.09
4926*	13/16"	1-5/8"	.09
4928*	7/8"	1-19/32"	.09
4932*	1"	1-49/64"	.13
4940*	1 1/4"	2-5/32"	.21
4944*	1 3/8"	2-3/32"	.21

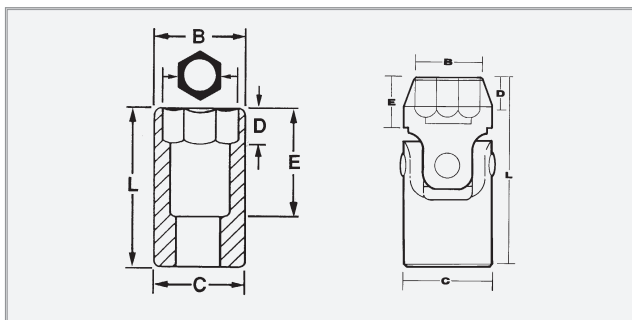
*Fed'l Specs.: GGG-C-1507A



3/8" DRIVE METRIC CROWFOOT WRENCHES

Product ID No.	mm	Length	Weight lbs.
4910M	10	30.8	18.2
4911M	11	30.6	18.2
4912M	12	33.3	22.7
4913M	13	33.3	22.7
4914M	14	33.3	22.7
4915M	15	38.1	36.3
4916M	16	38.1	40.9
4917M	17	38.1	40.9
4918M	18	42.8	40.9
4919M	19	42.8	40.9
4920M	20	42.8	40.9
4921M	21	42.8	40.9
4922M	22	42.1	40.9

REFERENCE MEASUREMENT KEY





3/8" DRIVE STANDARD LENGTH PROTOBLACK™ SOCKETS—12 POINT

• Black oxide finish—hand use only.



Product ID No.	in.	B	C	D	E	L	Weight lbs.
5210B	5/16"	35/64"	43/64"	17/64"	39/64"	1-3/64"	.04
5212B	3/8"	39/64"	43/64"	17/64"	39/64"	1-3/64"	.04
5214B	7/16"	21/32"	43/64"	11/32"	21/32"	1-3/64"	.04
5216B	1/2"	47/64"	47/64"	11/32"	11/16"	1-1/8"	.06
5218B	9/16"	51/64"	51/64"	33/64"	11/16"	1-1/8"	.09
5220B	5/8"	7/8"	7/8"	9/16"	11/16"	1-1/8"	.11
5222B	11/16"	51/64"	51/64"	9/16"	5/8"	1-1/8"	.12
5224B	3/4"	1-1/64"	1-1/64"	21/32"	5/8"	1-1/8"	.14

Fed'l Specs.: GGG-W-641E



3/8" DRIVE DEEP LENGTH PROTOBLACK™ SOCKETS—12 POINT

• Black oxide finish—hand use only.



Product ID No.	in.	B	C	D	E	L	Weight lbs.
5012B	3/8"	35/64"	21/32"	25/64"	1-3/8"	2-1/8"	.09
5014B	7/16"	41/64"	41/64"	7/16"	1-3/8"	2-1/8"	.09
5016B	1/2"	23/32"	23/32"	33/64"	1-3/8"	2-1/8"	.11
5018B	9/16"	51/64"	51/64"	1/2"	1-3/8"	2-1/8"	.15
5020B	5/8"	7/8"	7/8"	43/64"	2"	2-3/4"	.17
5022B	11/16"	15/16"	15/16"	43/64"	2"	2-3/4"	.20
5024B	3/4"	1-1/64"	1-1/64"	43/64"	2"	2-3/4"	.20
5028B	7/8"	1-3/16"	1-3/16"	7/16"	1-11/16"	2-3/4"	.29

Fed'l Specs.: GGG-W-641E



3/8" DRIVE UNIVERSAL PROTOBLACK™ SOCKETS—12 POINT

• Black oxide finish—hand use only.



Product ID No.	in.	B	C	D	E	L	Weight lbs.
5273B	3/8"	23/32"	23/32"	1/4"	27/64"	1-3/4"	.11
5274B	7/16"	23/32"	23/32"	1/4"	27/64"	1-3/4"	.11
5275B	1/2"	23/32"	23/32"	9/32"	27/64"	1-3/4"	.11
5276B	9/16"	25/32"	23/32"	21/64"	17/32"	1-7/8"	.15
5277B	5/8"	25/32"	7/8"	3/8"	39/64"	1-29/32"	.17
5278B	11/16"	25/32"	15/16"	3/8"	5/8"	1-15/16"	.19
5279B	3/4"	25/32"	1-1/64"	7/16"	43/64"	1-15/16"	.20

Fed'l Specs.: GGG-W-641E



3/8" DRIVE BIG DAWG™ STANDARD LENGTH PEAR HEAD RATCHET

- 45 tooth gear/floating pawl design for small 6.8° arc swing.
- 13% smaller head for access in tight work areas.
- Reversing lever designed for quick, one hand operation.

Product ID No.	Overall Length	Weight lbs.	Repair Kit
5249P	7"	.60	38RPK

Fed'l Specs.: GGG-W-641E
ANSI Spec.: B107.10M



3/8" DRIVE BIG DAWG™ STANDARD LENGTH PEAR HEAD FLEX RATCHET

- 45 tooth gear/floating pawl design for small 6.8° arc swing.
- 13% smaller head for access in tight work areas.
- 180° flex

Product ID No.	Overall Length	Weight lbs.	Repair Kit
5249PF	9"	.60	38RPK

Fed'l Specs.: GGG-W-641E
ANSI Spec.: B107.10M



3/8" DRIVE BIG DAWG™ STANDARD LENGTH PEAR HEAD RATCHET—PROTOBLACK™

- Black oxide finish.
- 45 tooth gear/floating pawl design provides 6.8° arc swing.
- 13% smaller head for access in tight work areas.
- Reversing lever designed for quick, one hand operation.

Product ID No.	Overall Length	Weight lbs.	Repair Kit
5249PBL	7"	.60	38RPK

Fed'l Specs.: GGG-W-641E
ANSI Spec.: B107.10M



3/8" DRIVE STANDARD LENGTH ROUND HEAD RATCHET—PROTOBLACK™

- Black oxide finish.
- Patented push button release.
- 4° ratcheting angle.
- Speeder ring.

Product ID No.	Overall Length	Weight lbs.	Repair Kit
5252ABL	7-1/2"	.66	5252ARK

ANSI Spec.: B107.10M



3/8" DRIVE STANDARD LENGTH ROUND HEAD RATCHET

- Patented push button release.
- 4° ratcheting angle.
- Speeder ring.

Product ID No.	Overall Length	Weight lbs.	Repair Kit
5252A	7-1/2"	.66	5252ARK

ANSI Spec.: B107.10M



3/8" DRIVE AEROSPACE PEAR HEAD RATCHET

- Vertical hole drilled in drive plug, designed for installation of frangible collars on threaded pins.
- Metal spring clip on drive plug for positive socket retention.
- Unique 24 tooth gear/floating pawl design provides 15° ratcheting angle while maximizing ultimate torque.
- Thin head design for access into tight work areas.
- Reversing lever designed for quick, one hand operations.

Product ID No.	Overall Length	Weight lbs.
5249HS	7"	.60

Fed'l Specs.: GGG-W-641E

ANSI Spec.: B107.10M



3/8" DRIVE FLEX-HEAD RATCHET

- 180° flex.
- 4° ratcheting angle.
- Speeder ring.

Product ID No.	Overall Length	Weight lbs.	Repair Kit
5257A	11"	.89	5257ARK



3/8" DRIVE FEMALE DRIVE

Product ID No.	Overall Length	Weight lbs.
5249FW	7"	.56

Fed'l Specs.: GGG-W-641E

ANSI Spec.: B107.10M



3/8" DRIVE MINIATURE PEAR HEAD RATCHET

- 3/8" square drive in 1/4" body for tight applications

Product ID No.	Overall Length	Weight lbs.	Repair Kit
5248PS	5"	.26	J38RPK

ANSI Spec.: B107.10M



3/8" DRIVE FLEX-HEAD INDEXABLE RATCHET

- Seven flex-head angles allow users to maneuver "over" obstructions.
- One-hand indexable head release switch allows the user to lock/unlock the indexable head with one hand, eliminating the need to remove the tool from the work area.
- 360-degree head rotation allows the user to quickly run down a fastener.
- 24 indexing angles provides a new angle every 15 degrees to access fasteners where standard ratchets require disassembly of the obstruction.
- Reduced head dimensions allow access to confined areas where head height and width are critical.
- High quality alloy ratchet gear provides exceptional torque and cycle life.
- Comfort grip handle prevents fatigue during use.
- Sealed transfer case prevents dirt and debris penetration and prolongs performance and durability.

Product ID No.	Overall Length	Weight lbs.
5257FL	10-1/2"	.98



3/8" DRIVE SPIN-FLEX® RATCHETS

- Patented design features an adjustable handle that can be positioned and locked into one of the four different angles to provide comfort as well as a unique handle position.
- Handle can be released so that it can rotate freely allowing the user to "speed" fasteners on and off rather than ratchet the traditional way.
- 4-way adjustable handle grip provides maximum comfort for the user.
- Reduced head dimensions allows access to confined areas.
- High quality alloy ratchet gear provides exceptional torque and cycle life.
- Comfort grip handle.

Product ID No.	Description	Dimensions	Weight lbs.
5750	3/8" Dr. Spin-Flex® Ratchet	6-3/4" L x 3/4" W	3.60



3/8" DRIVE BIG DAWG™ LONG HANDLE PEAR HEAD RATCHET

- Long handle for added leverage and more torque.
- 45 tooth gear/floating pawl design for small 6.8° arc swing.
- 13% smaller head for access in tight work areas.
- Reversing lever designed for quick, one-handed operation.

Product ID No.	Overall Length	Weight lbs.	Repair Kit
5250P	11"	.89	38RPK

Fed'l Specs.: GGG-W-641E

ANSI Spec.: B107.10M



**3/8" DRIVE BIG DAWG™
LONG HANDLE PEAR HEAD FLEX RATCHET**

- Long handle for added leverage and more torque.
- 45 tooth gear/floating pawl design for small 6.8° arc swing.
- 13% smaller head for access in tight work areas.
- 180° flex.

Product ID No.	Overall Length	Weight lbs.	Repair Kit
5250PF	14"	.72	38RPK

Fed'I Specs.: GGG-W-641E
ANSI Spec.: B107.10M



**3/8" DRIVE BIG DAWG™
LONG HANDLE PEAR HEAD—PROTOBLACK™**

- Black oxide finish.
- Long handle for added leverage and more torque.
- 45 tooth gear/floating pawl design for small 6.8° arc swing.
- 13% smaller head for access in tight work areas.
- Reversing lever designed for quick, one-handed operation.

Product ID No.	Overall Length	Weight lbs.	Repair Kit
5250PBL	11"	.6	38RPK

Fed'I Specs.: GGG-W-641E
ANSI Spec.: B107.10M



3/8" DRIVE STANDARD DRIVE EXTENSION

Product ID No.	Overall Length	Weight lbs.
5259*	1-3/4"	.09
5260*	3"	.15
5260-06*	6"	.29
5261	8"	.39
5262*	12"	.61
5263*	17-3/16"	.98

*Fed'I Specs.: GGG-W-641E
ANSI Spec.: B107.10M
AS 4283



**3/8" DRIVE
STANDARD DRIVE EXTENSION—PROTOBLACK™**

Product ID No.	Overall Length	Weight lbs.
5260B	3"	.15
5260-06B†	6"	.29
5261B †	8"	.39
5262B †	12"	.61

*Fed'I Specs.: GGG-W-641E
*ANSI Spec.: B107.10M
† AS 4283



3/8" DRIVE FLEXIBLE DRIVE EXTENSION

Product ID No.	Overall Length	Weight lbs.
5268	8-1/8"	.24

ANSI Spec.: B107.10M



3/8" DRIVE LOCKING DRIVE EXTENSION

- One piece extension design.
- Provides positive socket retention.
- Use where accidental socket disengagement may be a concern or safety hazard.

Product ID No.	Overall Length	Weight lbs.
5260-06L	6"	.37
5262L	12"	.75



3/8" DRIVE WOBBLE DRIVE EXTENSION

- Provides up to a 17° angle of operation.



Product ID No.	Overall Length	Weight lbs.
5259W	1-3/4"	.10
5260W	3"	.15
5206-06W	6"	.29
5261W	8"	.40
5262W	12"	.64
5263W	17-3/16"	.93



3/8" DRIVE HINGE HANDLE

Product ID No.	Overall Length	Weight lbs.
5265*	8-1/2"	.54
5266	12"	.69

*Fed'I Specs.: GGG-W-641E
*ANSI Spec.: B107.10M
*AS 4283



3/8" DRIVE HINGE HANDLE—PROTOBLACK™

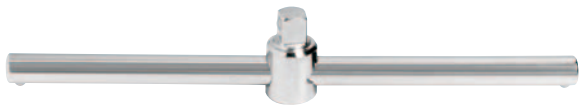
- Black oxide finish.

Product ID No.	Overall Length	Weight lbs.
5265BL	8-1/2"	.55

Fed'I Specs.: GGG-W-641E
ANSI Spec.: B107.10M
AS 4283



WARNING: WORK SAFELY WITH TOOLS WEAR SAFETY GOGGLES.




3/8" DRIVE SLIDING TEE HANDLE

Product ID No.	Overall Length	Weight lbs.
5285	8"	.31

Fed'l Specs.: GGG-W-641E
ANSI Spec.: B107.10M



3/8" DRIVE ADAPTERS

Product ID No.		Overall Length	Weight lbs.
5256	1/4" F x 3/8" M	3 1/32"	.03
5253	3/8" F x 1/2" M	1-7/16"	.08
5255	3/8" F x 1/4" M	1-1/64"	.05
5254	1/2" F x 3/8" M	1-3/8"	.12

*Fed'l Specs.: GGG-W-641E

WARNING: Do not use hand sockets or adapters on impact guns. ANSI Spec.: B107.10M



3/8" DRIVE SPEED HANDLE

Product ID No.	Overall Length	Weight lbs.
5280	17"	.77

Fed'l Specs.: GGG-W-641E
ANSI Spec.: B107.10M
AS 4283



3/8" DRIVE RATCHET ADAPTER

• Converts standard handles to ratcheting handles.

Product ID No.	Overall Length	Weight lbs.
5247	1-5/16"	.33

Fed'l Specs.: GGG-W-641E
ANSI Spec.: B107.10M



3/8" DRIVE FLEXIBLE DRIVER

Product ID No.	Overall Length	Weight lbs.
5267	9-1/8"	.35



3/8" DRIVE UNIVERSAL JOINT

Product ID No.	Overall Length	Weight lbs.
5270	1-7/8"	.12

Fed'l Specs.: GGG-W-641E
ANSI Spec.: B107.10M
AS 4283



**1/2" DRIVE
STANDARD LENGTH SOCKETS—6 POINT**



Product ID No.	in.	B	C	D	E	L	Weight lbs.
5412H*	3/8"	9/16"	55/64"	23/64"	7/8"	1-31/64"	.11
5414H*	7/16"	43/64"	55/64"	23/64"	7/8"	1-31/64"	.11
5416H*	1/2"	47/64"	55/64"	23/64"	7/8"	1-31/64"	.11
5418H*	9/16"	13/16"	55/64"	23/64"	53/64"	1-1/2"	.13
5420H*	5/8"	7/8"	7/8"	9/16"	21/32"	1-1/2"	.14
5422H*	11/16"	61/64"	61/64"	9/16"	21/32"	1-1/2"	.15
5424H*	3/4"	1-1/32"	1-1/32"	11/16"	21/32"	1-1/2"	.15
5426H*	13/16"	1-3/32"	1-3/32"	11/16"	21/32"	1-1/2"	.18
5428H*	7/8"	1-11/64"	1-11/64"	11/16"	45/64"	1-9/16"	.26
5430H*	15/16"	1-1/4"	1-1/4"	13/16"	45/64"	1-9/16"	.33
5432H*	1"	1-21/64"	121/64"	53/64"	45/64"	1-9/16"	.38
5434H*	1-1/16"	1-13/32"	113/32"	29/32"	25/32"	1-41/64"	.42
5436H*	1-1/8"	1-31/64"	131/64"	63/64"	25/32"	1-3/4"	.47
5438H*	1-3/16"	1-9/16"	19/16"	63/64"	25/32"	1-3/4"	.59
5440H*	1-1/4"	1-39/64"	1-39/64"	1-1/8"	57/64"	1-55/64"	.66
5442H	15/16"	1-21/32"	121/32"	27/32"	49/64"	1-3/4"	.69
5444H	13/8"	1-25/32"	121/32"	27/32"	1-11/64"	2-1/8"	.79
5446H	17/16"	1-59/64"	121/32"	27/32"	1-11/64"	2-1/8"	.98
5448H	11/2"	1-63/64"	121/32"	27/32"	1-11/64"	2-1/4"	1.12

Fed'l Specs.: GGG-W-641E
*ANSI Spec.: B107.1



**1/2" DRIVE
METRIC STANDARD LENGTH SOCKETS—6 POINT**



Product ID No.	mm	B	C	D	E	L	Weight lbs.
5410MH	10	15.2	21.9	7.5	19.9	36.4	.09
5411MH	11	17.0	21.9	9.0	19.9	36.4	.10
5412MH	12	18.1	21.9	9.2	19.9	36.4	.10
5413MH	13	18.9	21.9	10.7	19.9	36.4	.12
5414MH	14	20.5	21.9	10.2	19.9	36.4	.13
5415MH	15	21.8	21.8	12.6	19.9	36.4	.13
5416MH	16	22.0	22.0	12.6	19.9	36.4	.14
5417MH	17	24.3	24.3	11.5	19.9	36.4	.17
5418MH	18	24.3	24.3	11.5	19.9	36.4	.17
5419MH	19	26.1	26.1	17.0	19.9	36.4	.19
5420MH	20	27.6	27.6	17.5	22.0	38.0	.22
5421MH	21	27.6	27.6	17.5	22.0	38.0	.24
5422MH	22	30.1	30.1	19.0	23.0	39.0	.26
5423MH	23	30.6	30.6	20.5	23.0	39.0	.27
5424MH	24	31.7	31.7	21.5	23.0	39.0	.28
5425MH	25	33.3	33.3	21.5	23.0	39.0	.30
5426MH	26	34.0	34.0	22.5	23.0	39.0	.33
5427MH	27	35.4	35.4	24.5	26.5	42.5	.39
5428MH	28	37.1	37.1	26.0	29.2	45.2	.48
5429MH	29	37.6	37.6	26.0	29.2	45.2	.62
5430MH	30	38.9	38.9	26.0	29.2	45.2	.63
5431MH	31	41.1	41.1	26.0	29.2	45.2	.63
5432MH	32	41.1	41.1	29.0	29.2	45.2	.63

ANSI Spec.: B107.5

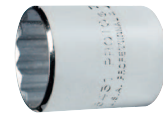


**1/2" DRIVE
STANDARD LENGTH SOCKETS—8 POINT**

• For square nuts

Product ID No.	in.	B	C	D	E	L	Weight lbs.
5412S	3/8"	45/64"	55/64"	1/4"	1-1/64"	1-7/16"	.12
5414S	7/16"	51/64"	51/64"	5/16"	1-1/8"	1-7/16"	.13
5416S	1/2"	59/64"	59/64"	11/32"	1-3/32"	1-7/16"	.17
5418S	9/16"	1"	1"	3/8"	1-1/64"	1-1/2"	.20
5420S	5/8"	1-5/64"	1-5/64"	13/32"	1-3/32"	1-1/2"	.24
5422S	11/16"	1-11/64"	1-11/64"	11/32"	1-1/64"	1-1/2"	.28
5424S	3/4"	1-15/64"	1-15/64"	29/64"	1-1/16"	1-1/2"	.32
5426S	13/16"	1-23/64"	1-23/64"	29/64"	1-5/32"	1-5/8"	.43
5428S	7/8"	1-1/2"	1-1/2"	1/2"	1-1/8"	1-5/8"	.51
5432S	1"	1-11/16"	1-11/16"	9/16"	11/16"	1-3/4"	.80

Fed'l Specs.: GGG-W-641E
ANSI Spec.: B107.1



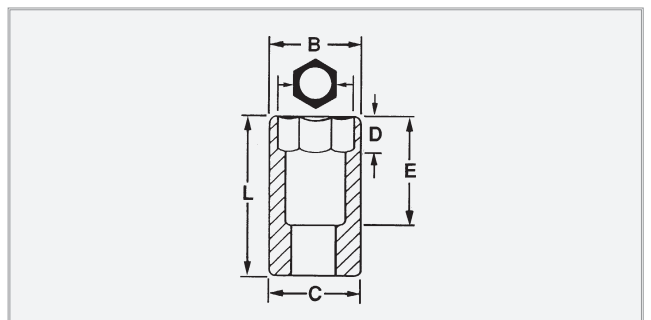
**1/2" DRIVE
STANDARD LENGTH SOCKETS—12 POINT**



Product ID No.	in.	B	C	D	E	L	Weight lbs.
5412†	3/8"	9/16"	27/32"	23/64"	1-11/64"	1-31/64"	.11
5414†	7/16"	43/64"	55/64"	23/64"	1-11/64"	1-31/64"	.11
5416†	1/2"	47/64"	55/64"	23/64"	1-11/64"	1-31/64"	.11
5418†	9/16"	51/64"	55/64"	23/64"	1-11/64"	1-1/2"	.13
5419†	19/32"	55/64"	55/64"	9/16"	1-3/16"	1-1/2"	.13
5420†	5/8"	7/8"	7/8"	9/16"	1-3/16"	1-1/2"	.14
5421†	21/32"	61/64"	61/64"	9/16"	1-3/16"	1-1/2"	.15
5422†	11/16"	61/64"	61/64"	9/16"	1-3/16"	1-1/2"	.15
5424†	3/4"	1-1/64"	1-1/64"	11/16"	1-3/16"	1-1/2"	.18
5425†	25/32"	1-5/64"	1-5/64"	11/16"	1-3/16"	1-1/2"	.20
5426†	13/16"	1-5/64"	1-5/64"	11/16"	1-3/16"	1-1/2"	.23
5428†	7/8"	1-3/16"	1-3/16"	11/16"	1-1/4"	1-9/16"	.26
5429†	29/32"	1-3/16"	1-3/16"	51/64"	1-1/4"	1-9/16"	.30
5430†	15/16"	1-1/4"	1-1/4"	13/16"	1-1/4"	1-9/16"	.33
5431†	31/32"	1-9/32"	1-9/32"	13/16"	1-1/4"	1-9/16"	.35
5432†	1"	1-5/16"	1-5/16"	27/32"	1-1/4"	1-9/16"	.38
5434†	1-1/16"	1-25/64"	1-25/64"	59/64"	1-29/64"	1-5/8"	.42
5436†	1-1/8"	1-15/32"	1-15/32"	63/64"	1-7/16"	1-3/4"	.47
5438†	1-3/16"	1-17/32"	1-17/32"	63/64"	1-7/16"	1-3/4"	.59
5440†	1-1/4"	1-37/64"	1-37/64"	1-1/8"	1-17/32"	1-55/64"	.66
5442	1-5/16"	1-41/64"	1-3/64"	27/32"	1-3/8"	1-3/4"	.69
5444	1-3/8"	1-51/64"	1-5/8"	25/32"	1-3/8"	2"	.79
5446	1-7/16"	1-59/64"	1-5/8"	27/32"	1-29/64"	2-1/8"	.98
5448	1-1/2"	1-63/64"	1-5/8"	55/64"	1-41/64"	2-1/4"	1.12

*Fed'l Specs.: GGG-W-641E
† ANSI Spec.: B107.1

REFERENCE MEASUREMENT KEY





1/2" DRIVE METRIC STANDARD LENGTH SOCKETS—12 POINT



Product ID No.	mm	B	C	D	E	L	Weight lbs.
5410M*	10	15.4	21.9	9.0	21.8	36.4	.11
5411M*	11	18.0	21.9	9.0	21.8	36.4	.10
5412M*	12	18.5	21.9	9.0	21.8	36.4	.10
5413M*	13	19.2	21.9	9.0	21.8	36.4	.12
5414M*	14	20.5	20.5	9.0	22.1	36.4	.13
5415M*	15	21.8	21.8	14.5	22.1	36.4	.13
5416M*	16	22.1	22.1	14.5	22.1	36.4	.14
5417M*	17	24.2	24.2	14.5	22.1	36.4	.17
5418M*	18	24.2	24.2	14.5	22.1	36.4	.17
5419M*	19	26.0	26.0	17.5	21.6	36.4	.19
5420M*	20	27.7	27.7	17.5	21.6	38.0	.22
5421M*	21	27.7	27.7	17.5	21.6	38.0	.24
5422M*	22	29.9	29.9	17.5	21.6	39.0	.26
5423M*	23	30.7	30.7	20.0	23.5	39.0	.27
5424M*	24	31.7	31.7	21.0	23.5	39.0	.28
5425M*	25	32.7	32.7	21.0	23.5	39.0	.30
5426M*	26	33.7	33.7	22.0	25.0	39.0	.33
5427M*	27	35.7	35.7	24.0	26.5	42.5	.39
5428M*	28	37.7	37.7	25.0	29.2	45.2	.48
5429M*	29	37.7	37.7	25.0	29.2	45.2	.62
5430M*	30	39.7	38.7	25.0	29.2	45.2	.63
5431M*	31	40.7	40.7	26.8	29.2	45.2	.63
5432M*	32	40.7	40.7	28.5	31.0	45.2	.63
5436M	36	50.0	50.0	35.0	41.0	56.8	1.04

*ANSI Spec.: B107.5



1/2" DRIVE DEEP LENGTH SOCKETS—6 POINT



Product ID No.	in.	B	C	D	E	L	Weight lbs.
5312H*	3/8"	9/16"	7/8"	1/4"	2-39/64"	3-1/4"	.30
5314H*	7/16"	9/16"	7/8"	23/64"	2-39/64"	3-1/4"	.30
5316H*	1/2"	47/64"	55/64"	25/32"	2-39/64"	3-1/4"	.31
5318H*	9/16"	13/16"	27/32"	15/16"	2-39/64"	3-1/4"	.31
5320H*	5/8"	7/8"	7/8"	1-3/16"	2-39/64"	3-1/4"	.31
5322H*	11/16"	31/32"	31/32"	1-5/16"	2-39/64"	3-1/4"	.33
5324H*	3/4"	1-3/64"	1-3/64"	1-3/8"	2-39/64"	3-1/4"	.40
5326H*	1-3/16"	1-1/8"	1-1/8"	1-3/8"	2-39/64"	3-1/4"	.43
5328H*	7/8"	1-11/64"	1-11/64"	1-3/8"	2-39/64"	3-1/4"	.54
5330H*	15/16"	1-1/4"	1-1/4"	1-3/8"	2-39/64"	3-1/4"	.65
5332H*	1"	1-21/64"	1-21/64"	1-3/8"	2-39/64"	3-1/4"	.71
5334H*	1-1/16"	1-7/16"	1-7/16"	1-5/16"	2-1/4"	3-1/4"	.72
5336H*	1-1/8"	1-1/2"	1-1/2"	1"	2-1/4"	3-1/4"	.74
5338H*	1-3/16"	1-35/64"	1-35/64"	1-3/32"	2-1/4"	3-1/4"	.85
5340H*	1-1/4"	1-19/32"	1-19/32"	1-1/8"	2-1/4"	3-1/4"	1.02
5342H	1-5/16"	1-7/8"	1-5/8"	1-1/8"	2-19/64"	3-1/2"	1.06
5344H	1-3/8"	1-7/8"	1-5/8"	1-1/8"	2-1/4"	3-1/2"	1.23
5346H	1-7/16"	2-1/16"	1-5/8"	1-1/8"	2-1/4"	3-1/2"	1.27
5348H	1-1/2"	2"	1-5/8"	1-1/8"	2-1/4"	3-1/2"	1.58

*Fed'l Specs.: GGG-W-641E

*ANSI Spec.: B107.1



1/2" DRIVE DEEP LENGTH SOCKETS—12 POINT



Product ID No.	in.	B	C	D	E	L	Weight lbs.
5312*	3/8"	9/16"	7/8"	1/4"	2-39/64"	3-1/4"	.28
5314*	7/16"	9/16"	7/8"	23/64"	2-39/64"	3-1/4"	.28
5316*	1/2"	47/64"	55/64"	25/32"	2-39/64"	3-1/4"	.29
5318*	9/16"	13/16"	27/32"	15/16"	2-39/64"	3-1/4"	.29
5320*	5/8"	7/8"	7/8"	1-3/16"	2-39/64"	3-1/4"	.32
5322*	11/16"	31/32"	31/32"	1-5/16"	2-39/64"	3-1/4"	.32
5324*	3/4"	1-3/64"	1-3/64"	1-3/8"	2-39/64"	3-1/4"	.36
5326*	13/16"	1-1/8"	1-1/8"	1-3/8"	2-39/64"	3-1/4"	.41
5328*	7/8"	1-11/64"	1-11/64"	1-3/8"	2-39/64"	3-1/4"	.53
5330*	15/16"	1-1/4"	1-1/4"	1-3/8"	2-39/64"	3-1/4"	.55
5332*	1"	1-21/64"	1-21/64"	1-3/8"	2-29/64"	3-1/4"	.67
5334*	1-1/16"	1-13/32"	1-13/32"	1-3/8"	2-29/64"	3-1/4"	.68
5336*	1-1/8"	1-1/2"	1-1/2"	1-3/8"	2-29/64"	3-1/4"	.70
5338*	1-3/16"	1-35/64"	1-35/64"	1-3/32"	2-1/4"	3-1/4"	.83
5340*	1-1/4"	1-9/16"	1-9/16"	1-3/8"	2-29/64"	3-1/4"	.96
5342	1-5/16"	1-7/8"	1-5/8"	1-1/8"	2-1/2"	3-1/2"	1.06
5344	1-3/8"	1-7/8"	1-5/8"	1-1/8"	2-1/2"	3-1/2"	1.23
5346	1-7/16"	2-1/16"	1-5/8"	1-1/8"	2-1/2"	3-1/2"	1.27
5348	1-1/2"	2-1/16"	1-5/8"	1-1/8"	2-1/2"	3-1/2"	1.58

*Fed'l Specs.: GGG-W-641E

*ANSI Spec.: B107.1

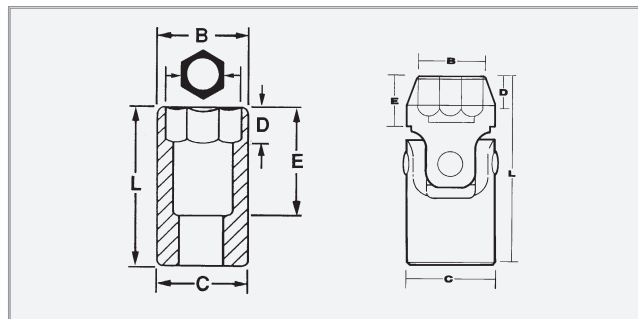


1/2" DRIVE SPARK PLUG SOCKETS—6 POINT

• With rubber insert.

Product ID No.	in.	Overall Length	Weight lbs.
5320-50	5/8"	2-1/2"	.18
5326HPA	13/16"	2-47/64"	.28

REFERENCE MEASUREMENT KEY



25.4 mm = 1 inch
454 grams = 1 pound

MADE IN USA



1/2" DRIVE METRIC DEEP LENGTH SOCKETS—12 POINT



Product ID No.	mm	B	C	D	E	L	Weight lbs.
5310M	10	15.4	22.0	15.0	66.5	82.5	.25
5311M	11	18.0	22.0	16.0	66.5	82.5	.26
5312M	12	18.6	22.0	17.0	66.5	82.5	.26
5313M	13	19.2	22.0	17.0	66.5	82.5	.28
5314M	14	21.6	21.6	24.0	66.5	82.5	.30
5315M	15	21.8	21.8	27.0	66.5	82.5	.30
5316M	16	22.0	22.0	30.0	66.5	82.5	.32
5317M	17	24.2	24.2	30.0	66.5	82.5	.33
5318M	18	25.2	25.2	30.0	66.5	82.5	.36
5319M	19	26.7	26.7	30.0	66.5	82.5	.37
5320M	20	27.7	27.7	30.0	66.5	82.5	.46
5321M	21	27.7	27.7	30.0	66.5	82.5	.47
5322M	22	29.7	29.7	30.0	66.5	82.5	.51
5323M	23	30.7	30.7	28.0	66.5	82.5	.51
5324M	24	31.7	31.7	30.0	66.5	82.5	.51
5325M	25	33.2	33.2	30.0	66.5	82.5	.62
5326M	26	33.7	33.7	30.0	66.5	82.5	.63
5327M	27	25.7	25.7	30.0	66.5	82.5	.65
5328M	28	27.7	37.7	30.0	66.5	82.5	.68
5329M	29	37.7	37.6	30.0	66.5	82.5	.68
5330M	30	39.7	39.7	30.0	66.5	82.5	.70
5331M	31	40.7	40.7	30.0	66.5	82.5	.73
5332M	32	40.7	40.7	30.0	66.5	82.5	.73

ANSI Spec.: B107.5



1/2" DRIVE UNIVERSAL SOCKETS—12 POINT



Product ID No.	in.	B	C	D	E	L	Weight lbs.
5475	1/2"	4364"	1516"	516"	2964"	2-316"	.23
5476	9/16"	1316"	1516"	2364"	1/2"	2-7/32"	.25
5477	5/8"	1516"	1516"	2564"	1/2"	2-11/32"	.27

ANSI Spec.: B107.1



1/2" DRIVE HEX BITS

Product ID No.	in.	Overall Length	Weight lbs.	Replacements
5441-1/4	1/4"	1-3/4"	3-1/4"	5441-1/4RKA
5441-5/16	5/16"	1-3/4"	3-1/4"	5441-5/16RKA
5441-3/8*	3/8"	1-3/4"	3-1/4"	5441-3/8RKA
5441-7/16*	7/16"	1-3/4"	3-1/4"	5441-7/16RKA
5441-1/2*	1/2"	1-7/8"	3-5/8"	5441-1/2RKA
5441-9/16*	9/16"	1-7/8"	3-5/8"	5441-9/16RKA
5441-5/8	5/8"	2"	4"	5441-5/8RKA
5441-3/4*	3/4"	2"	4"	5441-3/4RKA

*Fed'l Specs.: GGG-W-641E



1/2" DRIVE METRIC HEX BITS

Product ID No.	mm	Overall Length	Weight lbs.	Replacements
5441-6M	6	44.5	82.6	5441-6MRKA
5441-8M	8	44.5	82.6	5441-8MRKA
5441-10M	10	44.5	82.6	5441-10MRKA
5441-12M	12	44.5	82.6	
5441-13M	13	47.8	92.6	
5441-14M	14	47.8	92.6	5441-14MRKA
5441-15M	15	47.8	92.6	
5441-17M	17	50.8	101.6	
5441-18M	18	50.8	101.6	
5441-19M	19	50.8	101.6	



1/2" DRIVE EXTRA LONG HEX BITS

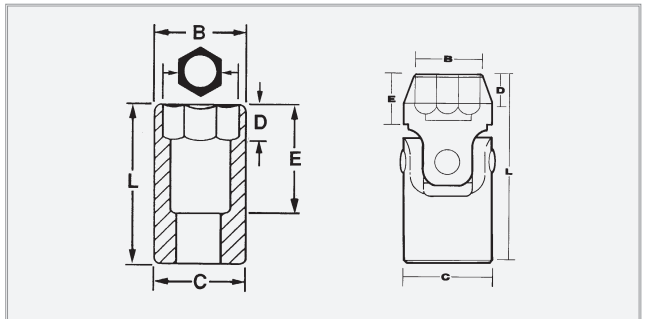
Product ID No.	in.	Overall Length	Weight lbs.	Replacements
5441-1/4XL	1/4"	3-1/8"	4-5/8"	5441-1/4XLRKA
5441-5/16XL	5/16"	4-1/8"	5-5/8"	5441-5/16XLRKA
5441-3/8XL	3/8"	4-1/8"	5-5/8"	5441-3/8XLRKA
5441-1/2XL	1/2"	5-3/8"	7-1/8"	5441-1/2XLRKA
5441-9/16XL	9/16"	5-3/8"	7-1/8"	5441-9/16XLRKA
5441-5/8XL	5/8"	5-3/16"	7-3/16"	5441-5/8XLRKA



1/2" DRIVE METRIC EXTRA LONG HEX BITS

Product ID No.	mm	Overall Length	Weight lbs.	Replacements
5441-12MXL	12	142.9	181.0	5441-12MXLRKA
5441-14MXL	14	136.5	181.0	5441-14MXLRKA
5441-17MXL	17	130.2	181.0	5441-17MXLRKA

REFERENCE MEASUREMENT KEY





1/2" DRIVE DRAG LINK SOCKETS

Product ID No.			Overall Length	Weight lbs.
5444A	3/4"	.115"	1-5/8"	.13
5446A	15/16"	.154"	1-5/8"	.16



1/2" DRIVE STANDARD SCREWDRIVER BITS

Product ID No.			Overall Length	Weight lbs.
5407	7/16"	.050"	35/32"	.27
5408	1/2"	.075"	3-5/32"	.27
5409	5/8"	.093"	3-5/32"	.27



1/2" DRIVE PHILLIPS® SCREWDRIVER BITS

Product ID No.		Overall Length	Weight lbs.
5402	No. 2	2-5/32"	.27
5403	No. 3	2-5/32"	.27
5404	No. 4	2-5/32"	.27



1/2" DRIVE DEEP LENGTH PROTOBLACK™ SOCKETS—12 POINT

• Black oxide finish—hand use only.



Product ID No.		B	C	D	E	L	Weight lbs.
5316B	1/2"	47/64"	55/64"	51/64"	2-1/8"	3-1/4"	.29
5318B	9/16"	13/16"	55/64"	7/8"	2-1/8"	3-1/4"	.29
5320B	5/8"	7/8"	7/8"	1-3/16"	2-1/8"	3-1/4"	.32
5322B	11/16"	61/64"	61/64"	1-3/16"	2-1/8"	3-1/4"	.32
5324B	3/4"	1-3/64"	1-3/64"	1-3/16"	2-1/8"	3-1/4"	.36
5326B	13/16"	1-3/32"	1-3/32"	1-3/16"	2-1/8"	3-1/4"	.41
5328B	7/8"	1-11/64"	1-11/64"	1-3/16"	2-1/8"	3-1/4"	.53
5330B	15/16"	1-1/4"	1-1/4"	1-3/16"	2-1/8"	3-1/4"	.55
5332B	1"	1-21/64"	1-21/64"	1-3/16"	2-1/8"	3-1/4"	.67
5334B	1-1/16"	1-13/32"	1-13/32"	1-3/16"	2-1/8"	3-1/4"	.68
5336B	1-1/8"	1-31/64"	1-31/64"	1-3/16"	2-1/8"	3-1/4"	.70
5340B	1-1/4"	1-37/64"	1-37/64"	1-3/16"	2-1/8"	3-1/4"	.96

Fed'l Specs.: GGG-W-641E



1/2" DRIVE STANDARD LENGTH PROTOBLACK™ SOCKETS—12 POINT

• Black oxide finish—hand use only.



Product ID No.		B	C	D	E	L	Weight lbs.
5412B	3/8"	9/16"	55/64"	23/64"	7/8"	1-1/2"	.11
5414B	7/16"	43/64"	55/64"	23/64"	7/8"	1-1/2"	.11
5416B	1/2"	47/64"	55/64"	23/64"	7/8"	1-1/2"	.11
5418B	9/16"	13/16"	55/64"	23/64"	51/64"	1-1/2"	.13
5420B	5/8"	7/8"	7/8"	9/16"	21/32"	1-1/2"	.14
5421B	21/32"	59/64"	59/64"	9/16"	21/32"	1-1/2"	.15
5422B	11/16"	61/64"	61/64"	9/16"	21/32"	1-1/2"	.15
5424B	3/4"	1-1/32"	1-1/32"	11/16"	21/32"	1-1/2"	.18
5425B	25/32"	1-1/16"	1-1/16"	11/16"	21/32"	1-1/2"	.20
5426B	13/16"	1-3/32"	1-3/32"	11/16"	21/32"	1-1/2"	.23
5428B	7/8"	1-11/64"	1-11/64"	11/16"	45/64"	1-9/16"	.26
5429B	29/32"	1-15/64"	1-15/64"	51/64"	45/64"	1-9/16"	.30
5430B	15/16"	1-1/4"	1-1/4"	27/32"	45/64"	1-9/16"	.33
5431B	31/32"	1-9/32"	1-9/32"	27/32"	45/64"	1-9/16"	.35
5432B	1"	1-21/64"	1-21/64"	53/64"	45/64"	1-9/16"	.38
5434B	1-1/16"	1-13/32"	1-13/32"	59/64"	25/32"	1-5/8"	.42
5436B	1-1/8"	1-31/64"	1-31/64"	63/64"	29/32"	1-3/4"	.47
5440B	1-1/4"	1-37/64"	1-37/64"	1-1/8"	7/8"	1-21/32"	.66
5442B	1-5/16"	1-37/64"	1-37/64"	1-1/8"	1-19/64"	1-7/8"	.69
5444B	1-3/8"	1-59/64"	1-59/64"	1-1/8"	1-19/64"	2"	.79
5446B	1-7/16"	1-51/64"	1-51/64"	1-1/8"	1-19/64"	2-1/8"	.98
5448B	1-1/2"	1-41/64"	1-41/64"	1-1/8"	1-19/64"	1-3/4"	1.12

Fed'l Specs.: GGG-W-641E



1/2" DRIVE UNIVERSAL PROTOBLACK™ SOCKETS—12 POINT

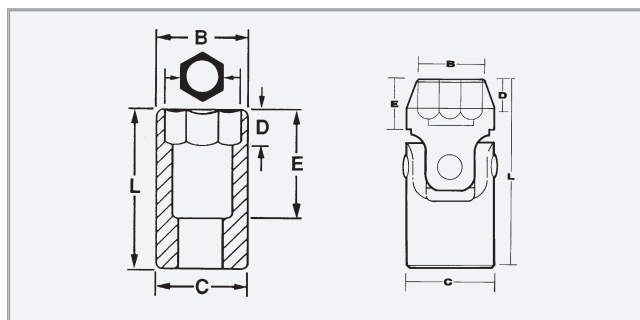
• Black oxide finish—hand use only.



Product ID No.		B	C	D	E	L	Weight lbs.
5475B	1/2"	43/64"	15/16"	15/16"	29/64"	2-15/16"	.23
5476B	9/16"	51/64"	15/16"	23/64"	1/2"	2-21/32"	.25
5477B	5/8"	15/16"	15/16"	25/64"	1/2"	2-21/32"	.27

Fed'l Specs.: GGG-W-641E

REFERENCE MEASUREMENT KEY





1/2" DRIVE STANDARD LENGTH ROUND HEAD RATCHET

- Patented push button release.
- 4° ratcheting angle.
- Speeder ring.

Product ID No.	Overall Length	Weight lbs.	Repair Kit
5452A	10"	1.26	5452ARK

Fed'l Specs.: GGG-W-641E
ANSI Spec.: B107.10M



1/2" DRIVE STANDARD LENGTH ROUND HEAD RATCHET—PROTOBLACK™

- Black oxide finish.
- Patented push button release.
- 4° ratcheting angle.
- Speeder ring.

Product ID No.	Overall Length	Weight lbs.	Repair Kit
5452ABL	10-1/8"	1.26	5452ARK

Fed'l Specs.: GGG-W-641E
ANSI Spec.: B107.10M



1/2" DRIVE SCAFFOLDING RATCHET

- The scaffold ratchet is designed for working with scaffolding and other construction applications.
- Socket retained with through hole and pin for safety.
- Hammer tip reduces vibration and protects fasteners against distortion.
- Hole in ratchet handle to be used with tether strap.

Product ID No.	Overall Length	Socket Opening	Weight lbs.
5449SC	10"	7/8"	2.01



1/2" DRIVE FLEX-HEAD RATCHET

- 180° flex.
- Patented push button release.
- 4° ratcheting angle.
- Speeder ring.

Product ID No.	Overall Length	Weight lbs.	Repair Kit
5457A	13"	1.70	5457ARK



1/2" DRIVE BIG DAWG™ STANDARD LENGTH PEAR HEAD RATCHET

- 45 tooth gear/floating pawl design for small 6.8° arc swing.
- 13% smaller head for access in tight work areas.
- Reversing lever designed for quick, one hand operation.

Product ID No.	Overall Length	Weight lbs.	Repair Kit
5449P	10"	1.46	12RPK

Fed'l Specs.: GGG-W-641E
ANSI Spec.: B107.10M



1/2" DRIVE BIG DAWG™ STANDARD LENGTH PEAR HEAD FLEX RATCHET

- 45 tooth gear/floating pawl design for small 6.8° arc swing.
- 13% smaller head for access in tight work areas.
- 180° flex.

Product ID No.	Overall Length	Weight lbs.	Repair Kit
5449PF	10-1/4"	.76	12RPK

Fed'l Specs.: GGG-W-641E
ANSI Spec.: B107.10M



1/2" DRIVE BIG DAWG™ STANDARD LENGTH PEAR HEAD RATCHET—PROTOBLACK™

- Black oxide finish.
- 45 tooth gear/floating pawl design for small 6.8° arc swing.
- 13% smaller head for access in tight work areas.
- Reversing lever designed for quick, one hand operation.

Product ID No.	Overall Length	Weight lbs.	Repair Kit
5449PBL	10"	.6	12RPK

Fed'l Specs.: GGG-W-641E
ANSI Spec.: B107.10M



1/2" DRIVE BIG DAWG™ LONG HANDLE PEAR HEAD RATCHET

- Long handle for added leverage and more torque.
- 45 tooth gear/floating pawl design for small 6.8° arc swing.
- 13% smaller head for access in tight work areas.
- Reversing lever designed for quick, one hand operation.

Product ID No.	Overall Length	Weight lbs.	Repair Kit
5450P	16"	1.96	12RPK

Fed'l Specs.: GGG-W-641E
ANSI Spec.: B107.10M



WARNING: WORK SAFELY WITH TOOLS WEAR SAFETY GOGGLES.

Toll Free Customer Service Number: 1-800-800-TOOL
Customer Service FAX Number: 1-770-385-3708



1/2" DRIVE BIG DAWG™ LONG HANDLE PEAR HEAD FLEX RATCHET

- Long handle for added leverage and more torque.
- 45 tooth gear/floating pawl design for small 6.8° arc swing.
- 13% smaller head for access in tight work areas.
- 180° flex.

Product ID No.	Overall Length	Weight lbs.	Repair Kit
5450PF	16-1/4"	1.06	12RPK

Fed'l Specs.: GGG-W-641E
ANSI Spec.: B107.10M



1/2" DRIVE BIG DAWG™ LONG HANDLE PEAR HEAD RATCHET—PROTOBLACK™

- Black oxide finish.
- Long handle for added leverage and more torque.
- 45 tooth gear/floating pawl design for small 6.8° arc swing.
- 13% smaller head for access in tight work areas.
- Reversing lever designed for quick, one hand operation.

Product ID No.	Overall Length	Weight lbs.	Repair Kit
5449-14PBL	16"	1.96	12RPK

Fed'l Specs.: GGG-W-641E
ANSI Spec.: B107.10M



1/2" DRIVE BIG DAWG™ LONG HANDLE PEAR HEAD RATCHET—PROTOBLACK™

- Black oxide finish.
- Long handle for added leverage and more torque.
- 45 tooth gear/floating pawl design for small 6.8° arc swing.
- 13% smaller head for access in tight work areas.
- Reversing lever designed for quick, one hand operation.

Product ID No.	Overall Length	Weight lbs.	Repair Kit
5450PBL	16"	1.96	12RPK

Fed'l Specs.: GGG-W-641E
ANSI Spec.: B107.10M



1/2" DRIVE LONG HANDLE ROUND HEAD RATCHET

- Patented push button release.
- 4° ratcheting angle.
- Speeder ring.

Product ID No.	Overall Length	Weight lbs.	Repair Kit
5454A	16"	2.33	5454ARK

Fed'l Specs.: GGG-W-641E
ANSI Spec.: B107.10M



1/2" DRIVE LONG HANDLE PEAR HEAD RATCHET—FEMALE DRIVE

- Patented push button release.
- 4° ratcheting angle.
- Speeder ring.

Product ID No.	Overall Length	Weight lbs.	Repair Kit
5450FW	16"	1.82	5450FWRK

Fed'l Specs.: GGG-W-641E
ANSI Spec.: B107.10M



1/2" DRIVE LOCKING DRIVE EXTENSION

- One piece extension design.
- Provides positive socket retention.
- Use where accidental socket disengagement may be a concern or safety hazard.

Product ID No.	Overall Length	Weight lbs.
5461L	5"	.53
5463L	10"	1.08



1/2" DRIVE STANDARD DRIVE EXTENSION

Product ID No.	Overall Length	Weight lbs.
5460	2-1/2"	.23
5461*	5"	.45
5463*	10"	.90
5464*	20"	1.87
5465*	36"	3.41

*Fed'l Specs.: GGG-W-641E
*AS 4283



1/2" DRIVE STANDARD DRIVE EXTENSION—PROTOBLACK™

- Black oxide finish.

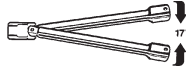
Product ID No.	Overall Length	Weight lbs.
5460B	2-1/2"	.23
5461B*	5"	.45
5463B*	10"	.90

*Fed'l Specs.: GGG-W-641E
AS 4283



1/2" DRIVE WOBBLE DRIVE EXTENSION

• Provides up to a 17° angle of operation.



Product ID No.	Overall Length	Weight lbs.
5460W	2-1/2"	.23
5461W	5"	.44
5463W	10"	.99
5464W	20"	1.90



1/2" DRIVE SPEED HANDLE

Product ID No.	Overall Length	Weight lbs.
5480	18"	1.48

Fed'l Specs.: GGG-W-641E
ANSI Spec.: B107.10M
AS 4283



1/2" DRIVE HINGE HANDLE

Product ID No.	Overall Length	Weight lbs.
5466*	10-7/8"	1.14
5467*†	15-3/4"	1.52
5468*†	18-5/8"	1.72
5469†	24"	2.68

*Fed'l Specs.: GGG-W-641E
*ANSI Spec.: B107.10M
† AS 4283



1/2" DRIVE ADAPTERS

Product ID No.	F	M	Overall Length	Weight lbs.
5253	3/8" F x 1/2" M		7/32"	.08
5254	1/2" F x 3/8" M		1-3/8"	.12
5653	1/2" F x 3/4" M		1-21/32"	.24
5453	3/4" F x 1/2" M		2-1/8"	.39

Fed'l Specs.: GGG-W-641E
ANSI Spec.: B107.10M

WARNING: Do not use hand sockets or adapters on impact guns.



1/2" DRIVE HINGE HANDLE—PROTOBLACK™

Product ID No.	Overall Length	Weight lbs.
5468BL	18-5/8"	1.69

Fed'l Specs.: GGG-W-641E
ANSI Spec.: B107.10M
AS 4283



1/2" DRIVE RATCHET ADAPTERS

Product ID No.	Overall Length	Weight lbs.
5447	2-21/32"	.86

Fed'l Specs.: GGG-W-641E
ANSI Spec.: B107.10M



1/2" DRIVE SLIDING TEE HANDLE

Product ID No.	Overall Length	Weight lbs.
5485	12-15/16"	1.48

ANSI Spec.: B107.10M



1/2" DRIVE UNIVERSAL JOINT

Product ID No.	Overall Length	Weight lbs.
5470	2-5/8"	.27

Fed'l Specs.: GGG-W-641E
ANSI Spec.: B107.10M
AS 4283



**3/4" DRIVE
STANDARD LENGTH SOCKETS—12 POINT**



Product ID No.	in.	B	C	D	E	L	Weight lbs.
5524	3/4"	1-5/16"	1-5/16"	19/32"	1-3/32"	2"	.38
5526†	13/16"	1-5/16"	1-5/16"	21/32"	1-3/32"	2"	.38
5528†	7/8"	1-5/16"	1-5/16"	45/64"	1-3/32"	2"	.41
5530††	15/16"	1-7/16"	1-7/16"	3/4"	1-3/32"	2"	.51
5532††	1"	1-1/2"	1-1/2"	3/4"	1-3/32"	2"	.57
5534††	1-1/16"	1-3/764"	1-3/764"	3/4"	1-3/32"	2"	.60
5536††	1-1/8"	1-3/764"	1-15/32"	1"	1-9/32"	2-7/32"	.63
5538††	1-3/16"	1-3/764"	1-15/32"	1"	1-9/32"	2-7/32"	.75
5540††	1-1/4"	1-13/16"	1-19/32"	1-5/32"	1-9/32"	2-15/64"	.86
5542††	1-5/16"	1-7/8"	1-19/32"	1-5/32"	1-11/32"	2-9/32"	.95
5544††	1-3/8"	1-7/8"	1-5/8"	1-5/32"	1-11/32"	2-9/32"	1.10
5546††	1-7/16"	2-3/64"	1-5/8"	1-1/4"	1-15/32"	2-13/32"	1.14
5548††	1-1/2"	2-3/64"	1-5/8"	1-1/4"	1-15/32"	2-13/32"	1.42
5550††	1-9/16"	2-3/16"	1-23/32"	1-5/16"	1-5/8"	2-5/8"	1.46
5552††	1-5/8"	2-15/64"	1-3/4"	1-5/16"	1-5/8"	2-5/8"	1.50
5554††	1-11/16"	2-3/8"	1-3/4"	1-15/32"	1-3/4"	2-3/4"	1.58
5556††	1-3/4"	2-3/8"	1-3/4"	1-15/32"	1-3/4"	2-3/4"	1.79
5558††	1-13/16"	2-9/16"	1-3/4"	1-15/32"	1-15/16"	2-29/32"	1.81
5560††	1-7/8"	2-9/16"	1-3/4"	1-5/8"	1-15/16"	2-31/32"	2.27
5564††	2"	2-47/64"	2"	1-3/4"	2-1/8"	3-7/64"	2.42
5566††	2-1/16"	2-49/64"	2-1/32"	1-3/4"	2-1/8"	3-5/32"	2.42
5568††	2-1/8"	2-61/64"	2-3/32"	1-13/16"	2-5/32"	3-9/32"	2.72
5570††	2-3/16"	2-61/64"	2-3/32"	1-13/16"	2-5/32"	3-9/32"	2.56
5572††	2-1/4"	3-17/64"	2-3/32"	1-61/64"	2-3/16"	3-13/32"	3.17
5576††	2-3/8"	3-17/64"	2-29/64"	2-1/8"	2-3/16"	3-43/64"	3.80

Fed'l Specs.: GGG-W-641E
ANSI Spec.: B107.1



**3/4" DRIVE
METRIC STANDARD LENGTH SOCKETS—12 POINT**



Product ID No.	mm	B	C	D	E	L	Weight lbs.
5519M	19	28.5	33.3	14.3	26.2	50.8	.36
5520M	20	30.2	33.3	14.3	26.2	50.8	.37
5521M	21	32.2	33.3	14.3	26.2	50.8	.37
5522M	22	33.3	33.3	14.3	26.2	50.8	.39
5523M	23	35.7	35.7	14.3	26.2	50.8	.50
5524M	24	36.4	36.4	14.3	26.2	50.8	.51
5525M	25	37.6	37.6	15.9	26.2	50.8	.53
5526M	26	38.1	38.1	15.9	26.2	50.8	.54
5527M	27	39.3	39.3	17.4	26.2	50.8	.61
5528M	28	40.3	37.8	19.1	34.2	56.4	.68
5529M	29	40.6	37.8	19.5	38.7	56.4	.69
5530M	30	40.6	37.8	19.5	38.7	56.4	.71
5531M	31	43.9	43.9	20.5	38.7	56.4	.75
5532M	32	45.4	37.8	20.5	38.7	56.4	.80
5535M	35	47.3	40.6	29.2	33.3	57.9	.86
5536M	36	52.1	40.6	31.5	36.6	61.2	1.11
5538M	38	52.1	40.6	31.4	45.4	61.2	1.22
5541M	41	56.8	43.6	32.7	41.4	66.2	1.38
5542M	42	59.9	43.6	37.3	44.4	69.0	1.61
5546M	46	65.3	45.2	40.8	40.8	75.4	1.87
5550M	50	70.1	51.6	44.2	44.2	80.2	2.36
5554M	54	74.8	53.1	35.1	52.6	83.3	2.43
5555M	55	74.8	53.1	46.2	46.2	83.3	2.58
5558M	58	79.6	53.1	49.5	49.5	86.6	3.12
5560M	60	82.8	64.2	53.8	53.8	92.9	3.76

ANSI Spec.: B107.5



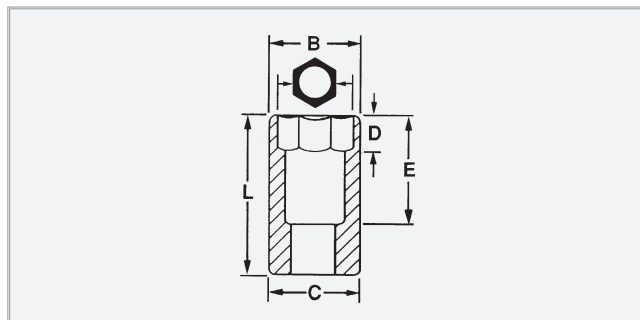
3/4" DRIVE DEEP LENGTH SOCKETS—6 POINT



Product ID No.	in.	B	C	D	E	L	Weight lbs.
5528HL	7/8"	1-3/8"	1-3/8"	9/16"	2-9/16"	3-1/2"	.75
5530HL	15/16"	1-7/16"	1-7/16"	9/16"	2-9/16"	3-1/2"	.75
5532HL	1"	1-1/2"	1-1/2"	5/8"	2-9/16"	3-1/2"	1.00
5534HL	1-1/16"	1-9/16"	1-7/16"	1-1/16"	2-9/16"	3-1/2"	1.03
5536HL	1-1/8"	1-19/32"	1-1/2"	2-3/8"	2-9/16"	3-1/2"	1.10
5540HL	1-1/4"	1-13/16"	1-21/32"	2-21/64"	2-9/16"	3-1/2"	1.32
5542HL	1-5/16"	1-55/64"	1-21/32"	2-19/64"	2-9/16"	3-1/2"	1.43
5544HL	1-3/8"	1-55/64"	1-21/32"	2-9/32"	2-9/16"	3-1/2"	1.45
5546HL	1-7/16"	2-1/16"	1-21/32"	2-17/64"	2-9/16"	3-1/2"	1.50
5548HL	1-1/2"	2-1/16"	1-1/32"	2-1/4"	2-9/16"	3-1/2"	1.61
5552HL	1-5/8"	2-1/4"	1-3/4"	2-13/64"	2-9/16"	3-1/2"	1.81

Fed'l Specs.: GGG-W-641E

REFERENCE MEASUREMENT KEY





3/4" DRIVE STANDARD LENGTH PEAR HEAD RATCHET

- Unique 24 tooth gear/floating pawl design provides 15° ratcheting angle while maximizing ultimate torque.
- Thin head design for access into tight work areas.
- Reversing level designed for quick, one hand operations.

Product ID No.	Overall Length	Weight lbs.	Repair Kit
5649	20"	6.10	5649RK

Fed'l Specs.: GGG-W-641E
ANSI Spec.: B107.10M



3/4" DRIVE STANDARD LENGTH PEAR HEAD RATCHET—PROTOBLACK™

- Black oxide finish.
- Unique 24 tooth gear/floating pawl design provides 15° ratcheting angle while maximizing ultimate torque.
- Thin head design for access into tight work areas.
- Reversing lever designed for quick, one hand operations.

Product ID No.	Overall Length	Weight lbs.	Repair Kit
5649BL	20"	5.69	5649RK

Fed'l Specs.: GGG-W-641E
ANSI Spec.: B107.10M



3/4" DRIVE PEAR HEAD RATCHET—FEMALE DRIVE

Product ID No.	Overall Length	Weight lbs.	Repair Kit
5649FW	20"	5.50	5649FWRK



3/4" DRIVE STANDARD DRIVE EXTENSION

Product ID No.	Overall Length	Weight lbs.
5660	4"	.86
5661	8"	1.34
5663	16"	2.38

Fed'l Specs.: GGG-W-641E
ANSI Spec.: B107.10M
AS 4283



3/4" DRIVE HINGE HANDLE

Product ID No.	Overall Length	Weight lbs.
5668	20"	4.30

Fed'l Specs.: GGG-W-641E
ANSI Spec.: B107.10M
AS 4283



3/4" DRIVE HINGE HANDLE—PROTOBLACK™

- Black oxide finish.

Product ID No.	Overall Length	Weight lbs.
5668BL	20"	4.30

Fed'l Specs.: GGG-W-641E
ANSI Spec.: B107.10M



1/2" DRIVE SLIDING TEE HANDLE

Product ID No.	Overall Length	Weight lbs.
5685	18"	2.98

Fed'l Specs.: GGG-W-641E
ANSI Spec.: B107.10M



3/4" DRIVE ELL HANDLE

Product ID No.	Overall Length	Weight lbs.
5686	16"	3.93



3/4" DRIVE ADAPTERS

Product ID No.	F O M	Overall Length	Weight lbs.
5653	1/2" F x 3/4" M	1-19/32"	.24
5453	3/4" F x 1/2" M	2-1/8"	.39
5853	3/4" F x 1" M	2-1/2"	.90
5854	1" F x 3/4" M	2-7/8"	1.29

Fed'l Specs.: GGG-W-641E

WARNING: Do not use hand sockets or adapters on impact guns. ANSI Spec.: B107.10M



3/4" DRIVE RATCHET ADAPTERS

• Converts standard handles to ratcheting handles.

Product ID No.	Overall Length	Weight lbs.
5647	2-1/2"	2.42

Fed'l Specs.: GGG-W-641E

ANSI Spec.: B107.10M



3/4" DRIVE UNIVERSAL JOINT

Product ID No.	Overall Length	Weight lbs.
5670	3-39/64"	.91

Fed'l Specs.: GGG-W-641E

ANSI Spec.: B107.10M

AS 4283



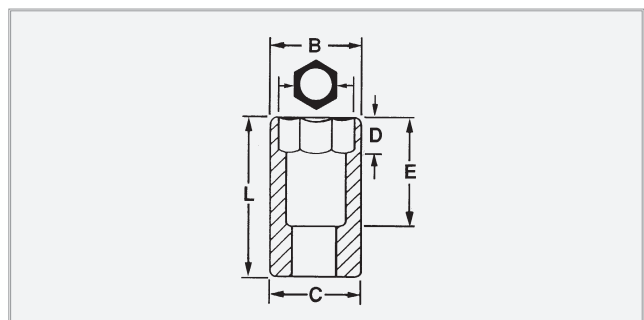
1" DRIVE STANDARD LENGTH SOCKETS—12 POINT



Product ID No.	in.	B	C	D	E	L	Weight lbs.
5734	1-1/16"	1-41/64"	1-29/32"	3/4"	1"	2-7/16"	.83
5736	1-1/8"	1-41/64"	1-29/32"	3/4"	1"	2-7/16"	.87
5738	1-3/16"	1-45/64"	1-29/32"	7/8"	1-1/8"	2-7/16"	.89
5740	1-1/4"	1-29/32"	1-29/32"	7/8"	1-1/8"	2-1/2"	1.04
5742	1-5/16"	2-1/32"	2-1/32"	7/8"	1-5/32"	2-21/32"	1.30
5744	1-3/8"	2-1/32"	2-1/32"	1"	1-1/4"	2-21/32"	1.44
5746	1-7/16"	2-1/4"	2-1/32"	1"	1-19/64"	2-3/4"	1.50
5748	1-1/2"	2-1/4"	2-1/32"	1"	1-19/64"	2-3/4"	1.55
5752	1-5/8"	2-3/8"	2-5/32"	1"	1-7/8"	3-1/4"	1.83
5754	1-11/16"	2-3/8"	2-5/32"	1"	1-7/8"	3-1/4"	1.92
5756	1-3/4"	2-3/8"	2-5/32"	1-1/8"	1-7/8"	3-1/4"	1.94
5758	1-13/16"	2-1/2"	2-5/32"	1-1/8"	1-7/8"	3-5/16"	2.01
5760	1-7/8"	2-11/16"	2-13/32"	1-1/4"	1-61/64"	3-5/16"	2.42
5764	2"	2-11/16"	2-13/32"	1-1/4"	1-61/64"	3-7/16"	2.48
5766	2-1/16"	2-11/16"	2-13/32"	1-3/8"	2-1/16"	3-1/2"	2.49
5768	2-1/8"	2-15/16"	2-13/32"	1-3/8"	2-1/16"	3-5/8"	2.99
5770	2-3/16"	3-5/64"	2-13/32"	1-3/8"	2-1/4"	3-3/4"	3.18
5772	2-1/4"	3-5/64"	2-13/32"	1-3/8"	2-1/4"	3-13/16"	3.34
5776	2-3/8"	3-17/64"	2-13/32"	1-1/2"	2-11/32"	4"	3.56
5780	2-1/2"	3-37/64"	2-21/32"	1-5/8"	2-27/64"	4-1/8"	5.14
5782	2-9/16"	3-37/64"	2-21/32"	1-5/8"	2-27/64"	4-1/8"	4.90
5784	2-5/8"	3-37/64"	2-21/32"	1-3/4"	2-21/32"	4-1/8"	4.94
5788	2-3/4"	1-13/16"	2-21/32"	1-3/4"	2-21/32"	4-7/16"	5.57
5794	2-15/16"	4-9/64"	3-5/32"	1-3/4"	2-27/32"	4-11/16"	7.54
5796	3"	4-9/64"	3-5/32"	2"	3-1/32"	4-11/16"	7.67
5800	3-1/8"	4-3/8"	3-5/32"	2"	3-1/32"	4-15/16"	9.21
5812	3-1/2"	4-11/16"	3-5/32"	2-1/4"	3-19/64"	5-1/8"	9.50

Fed'l Specs.: GGG-W-641E

REFERENCE MEASUREMENT KEY





1" DRIVE PEAR HEAD RATCHET—MALE/FEMALE DRIVE

An extra safety factor is provided through the use of a spring loaded pellet in each male drive plug that snaps into a hole in the drive end of the socket and acts as a retaining pin. The socket stays locked on until the pellet is depressed and the socket is removed.

- Unique 24 tooth gear/floating pawl design provides 15° ratcheting angle while maximizing ultimate torque.
- Thin head design for access into tight work areas.
- Reversing lever designed for quick, one hand operation.

Product ID No.	Overall Length	Weight lbs.	Repair Kit
5849	26"	12	5849RK



1" DRIVE MALE DRIVE PLUG

- Replacement square drive for 5849.
- 5849 Male ratchet easily converts to a female ratchet by removing male plug

Product ID No.	Overall Length	Weight lbs.
5852	2-11/16"	.72



1" DRIVE STANDARD DRIVE EXTENSION

Product ID No.	Overall Length	Weight lbs.
5861	8"	2.75
5863	17"	5.03

Fed'l Specs.: GGG-W-641E
ANSI Spec.: B107.10M



1" DRIVE HINGE HANDLE

Product ID No.	Overall Length	Weight lbs.
5868	27"	7.65

Fed'l Specs.: GGG-W-641E
ANSI Spec.: B107.10M



1" DRIVE BAR HANDLE/SLIDING DRIVE PLUG

Product ID No.	Description	Overall Length	Weight lbs.
5884	Bar Handle	2-81/2"	5.29
5885	Sliding Drive Plug	2-27/32"	.98

Fed'l Specs.: GGG-W-641E
ANSI Spec.: B107.10M

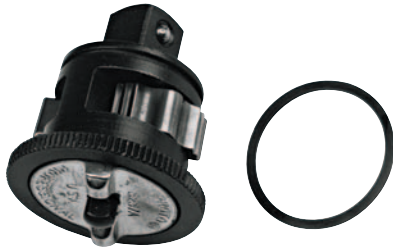


1" DRIVE ADAPTERS

Product ID No.	Overall Length	Weight lbs.
5853	2-1/2"	.90
5854	2-7/8"	1.29

Fed'l Specs.: GGG-W-641E

WARNING: Do not use hand sockets or adapters on impact guns. ANSI Spec.: B107.10M



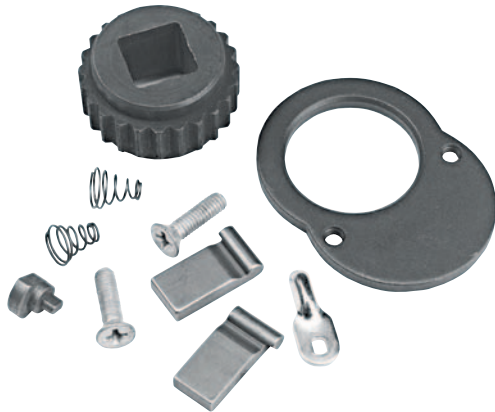
ROUND HEAD RATCHET REPAIR KITS

Product ID No.	in.	Ratchet No.
4752ARK	1/4"	4752A
4752ARK	1/4"	4752ABL
4752ARK	1/4"	4757
5252ARK	3/8"	5252A
5252ARK	3/8"	5252ABL
5257ARK	3/8"	5257A
5454ARK	1/2"	5454A



BIG DAWG™ RATCHET REPAIR KITS

Product ID No.	Drive Size	Ratchet No.
14PRK	1/4"	4749P, 4749PBL
		4749PG, 4749PF, 4749PFG
		5259P, 5259PBL, 5249PG
38PRK	3/8"	5249PF, 5249PFG 5250P
		5250PG, 5250PBL, 5250PF
		5449P, 5449PBL, 5449PG
12PRK	1/2"	5449PF, 5449PFG, 5450P
		5450PG, 5450PBL, 5450PF



RATCHET REPAIR KITS

- *Female square drive wheel.
- †Male drive plug has spring loaded pellet instead of spring loaded ball.

Product ID No.	in.	Ratchet No.
5649FWRK*	3/8"	5249FW*
5450FWRK*	1/2"	5450FW*
5649RK†	3/4"	5649†
5649RK†	3/4"	5649BL†
5649FWRK*	3/4"	5649FW

*Female square drive wheel with removable male drive plug No. 5852.