

# HANDY-SHIELD®

## ADA Kitchen Sink Specialty Items Commercial and Residential

**Kitchen End Outlet Cover  
3061-EO**



**Waste Disposal Cover  
3071WD-N**



**Kitchen Center Outlet Cover  
3061-CO**



**Waste Disposal Cover  
3071WD-333 (Badger)**



**2" P-Trap Cover  
3011-2**



**Waste Disposal Cover  
3071WD-P37 (Pro-Series)**



**Bar Sink/Kitchen Offset Cover  
3051-XL**



**P-Trap Extension Cover 12"  
3031**



**NEW** Waste Disposal Covers & ADA Specialty Items  
**SINGLE BOX!**

New rugged, packaging allows products to be shipped individually. You can now buy single units of 1, or any amount required, including cases of 10.



U.S. Patent #D 653,311

### Plumbing Piping

Under accessible kitchen sinks are required to be insulated. **HANDY-SHIELD®** Safety Covers comply with 2010 DOJ/ADA Standards for Accessible Design 606.5, Kitchen Sinks - 804.4; ICC/ANSI A117.1, (sec. 606.6), Kitchens - 804.4, Residential Multi-Family 1003.12.4.4 and 1004.12.2.1, and Product Standards ASME A112.18.9 and ASTM C1822-15. Whether accessibility is required on a commercial or residential project these guidelines apply.

### Fire Performance

Fire safety for both commercial and residential buildings is a critical design requirement and is provided for in ASTM C1822-15. It is especially vital for hospitals, assisted living, convalescent homes, schools, and dormitories etc. where High-Risk Groups such as the Disabled, Children or the Elderly require assistance for egress. **HANDY-SHIELD®** Safety Covers offer a Superior PVC Fire-Rated Material that is tested to Building and Fire Code Approved ASTM E-84 /UL 723 and is rated "Class A Material" with a 25 Flame and 450 Smoke Rating meeting ASTM C1822-15 Type I, and IAPMO PS 94-2012.

### Increased Access and More Economical

**HANDY-SHIELD®** Safety Covers offers a complete line of under-sink solutions that are both economical and install quickly with Velcro. These covers eliminate the high cost of expensive custom cabinet materials and labor to cover piping for accessibility required installations. **HANDY-SHIELD®** Safety Covers will increase under-sink access compared with other systems.



### Superior Material with Color Choices

**HANDY-SHIELD®** Safety Covers are made from PVC Plastic Material that features a High-Gloss, Smooth-Finish Surface, Anti-Microbial, Anti-Fungal inhibitive properties and UV long-term, material protection. Your customers have four colors to choose from.

Colors Available



### A Full Line to Complete Your Project

**HANDY-SHIELD®** Safety Covers give your jobs a Professional appearance. Waste Disposal Covers products are designed for easy maintenance and quick access to troubleshoot disposal jams and power switch reset buttons. The line offers a: Single Cover (model 3071WD-N fits over Badger 1 & 5), or a Kit (3071-WD-333 fits over Badger and includes a 3011 P-Trap Cover), or a larger diameter Kit cover (model 3071WD-P37 fits Pro-333/SS/77 and includes a 3011 P-Trap cover).

### Larger Sizing

Larger diameter drainage piping requires a larger size cover for accessible kitchens lavatory or school-required sink installations. **HANDY-SHIELD®** 2" P-Trap Cover's large-dimension design makes ADA protection and installation possible.

### Extra Clearance Installations

In certain installations, extra clearances are required for under sink areas. **HANDY-SHIELD®** Bar/Sink Offset Covers are created for these types of protection requirements. The Bar/Sink Cover consists of two overlapping covers that protect from contact with drainage piping.

# PLUMBEREX

SPECIALTY PRODUCTS INC.  
Engineering Smart Solutions

[www.plumberex.com](http://www.plumberex.com)



customerservice@plumberex.com  
(800) 475-8629  
P.O. Box 1684, Palm Springs, CA 92263

# PLUMBEREX

SPECIALTY PRODUCTS INC

ADA Specialty Products



ADA  
Compliant for Americans  
with Disabilities Act  
and IAPMO Listed



## SUBMITTAL SHEET

PROJECT	
DWG #	
ITEM #	

## SUGGESTED SPECIFICATION

Insulate per ADA 4.24 and or ICC all exposed sink drain piping, hot/cold stops and supplies. Protectors shall conform to UPC/IAPMO PS 94-2001A. Protectors will consist of one-piece cover with a smooth, soft texture, anti-fungal, anti-microbial, closed cell PVC with combination heat welded/sewed construction. Insulation shall conform to International Building Code (IBC) with testing standard of ASTM E84-07 Class A Material (25 Flame/450 Smoke) criteria. Protectors shall consist of a dual fastening system of full length \*VelcroFastening Strips and tamper resistant self-locking snap fasteners. Shall have PVC Velcro fasteners adhered with heat weld bonding to allow for full enclosure. Protectors must be secured by Heavy-Duty, Self-Locking, Snap Fasteners for permanent safe fit option to deter theft and/or injury.

**Manufacturer: Plumberex Specialty Products Inc.**

brand and shall consist of all the above listed components and features.

\*Velcro is a registered trademark of Velcro USA Inc.

## PRODUCT DETAIL:

For kitchen sink applications, specifically waste disposal, exposed piping and supply stop protectors requiring compliance with ADA 4.24. Waste disposal, bend and P-Trap covers attach by a dual fastening system of a 3/4" full length Velcro strip and tamper resistant, self-locking snap fasteners. Surfaces are easy to clean non-absorbent PVC with U/V inhibited, antifungal/anti microbial agents.

## PART NUMBER BY PRODUCT

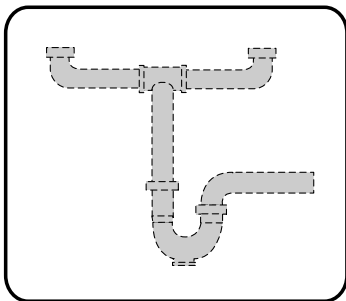
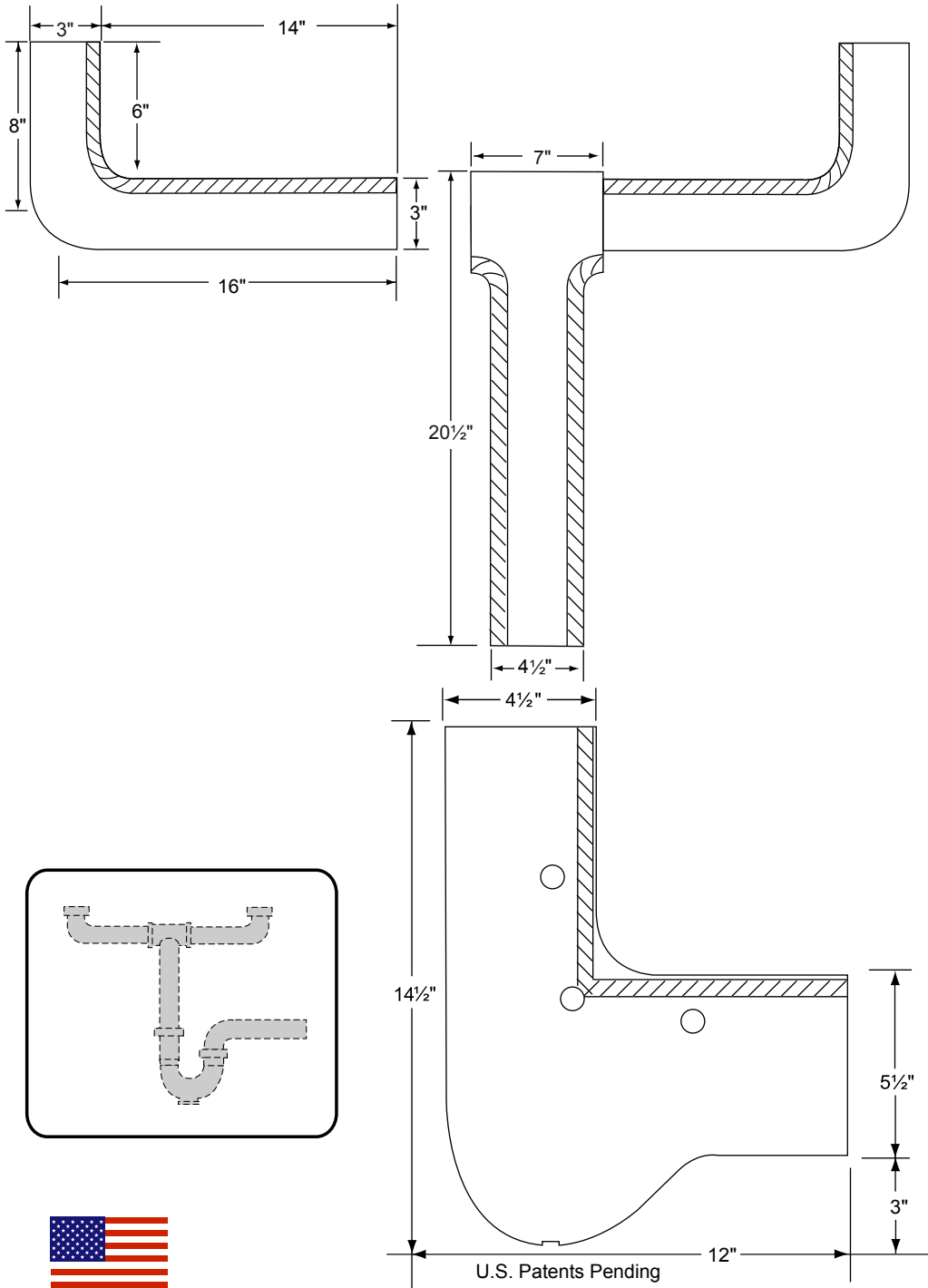
\*Note: All model colors are white

**MODEL # 3061CO White**  
Kitchen Center Outlet &  
P-Trap Cover (Complete Kit)

Available color options:

White	Gray	Almond	Black

## Kitchen Center Outlet & P-Trap Cover (Complete Kit)



MADE IN USA

**PLUMBEREX**  
SPECIALTY PRODUCTS INC.

P.O. Box 1684 Palm Springs, CA 92263 (760) 343-7363 1-800-475-8629 FAX (760)343-7366  
Plumberex Specialty Products, Inc. Reserves the right to make changes or improvements at any time without notice.

© 2008 Plumberex Specialty Products, Inc.

# PLUMBEREX

SPECIALTY PRODUCTS INC

ADA Specialty Products



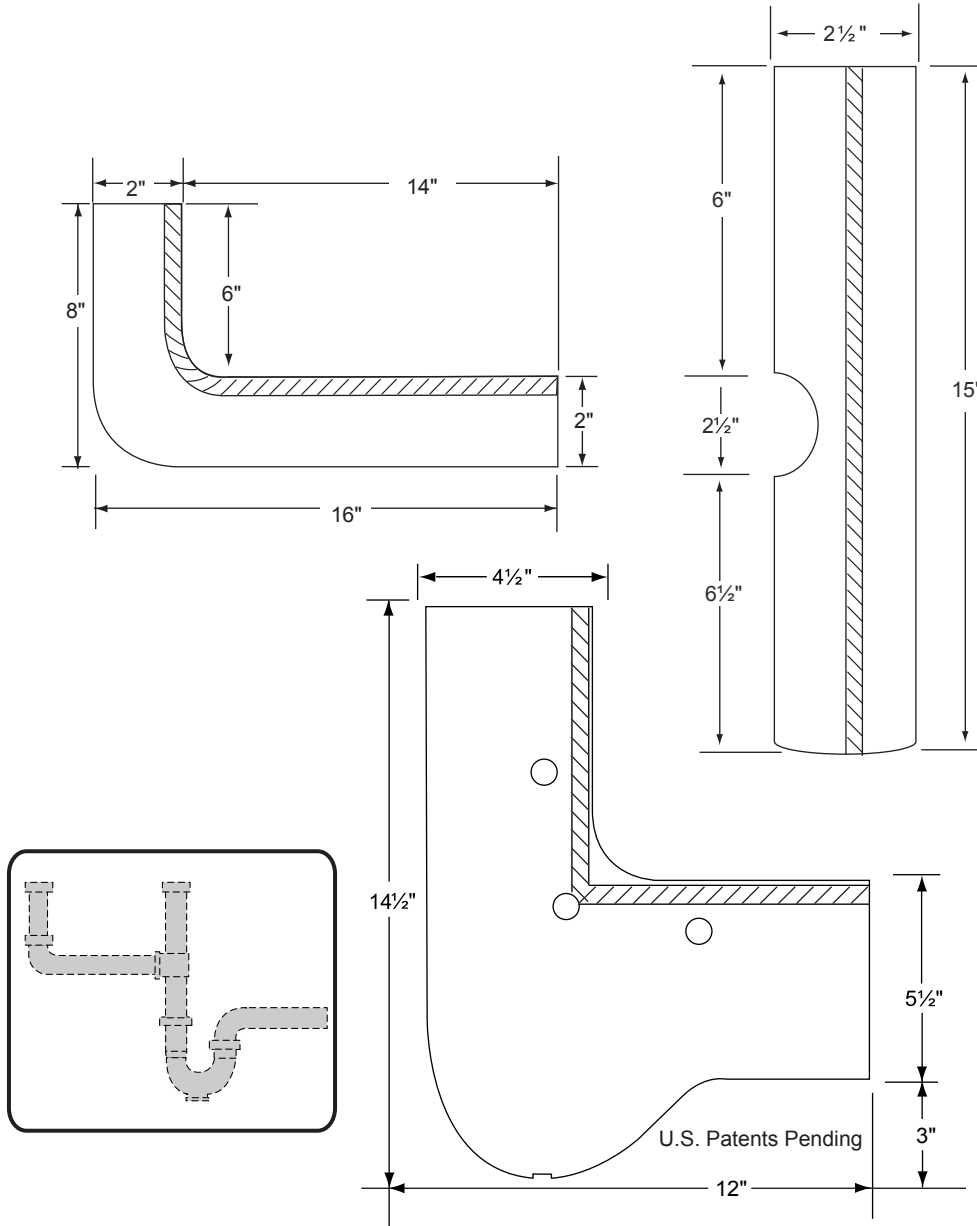
ADA  
Compliant for Americans  
with Disabilities Act  
and IAPMO Listed



## SUBMITTAL SHEET

PROJECT	
DWG #	
ITEM #	

## Kitchen End Outlet & P-Trap Cover (Complete Kit)



## SUGGESTED SPECIFICATION

Insulate per ADA 4.24 and or ICC all exposed sink drain piping, hot/cold stops and supplies. Protectors shall conform to UPC/IAPMO PS 94-2001A. Protectors will consist of one-piece jacket with smooth and soft texture, anti-fungal, anti-microbial, closed cell PVC with combination heat welded/sewed construction. Insulation shall conform to International Building Code (IBC) with testing standard of ASTM E84-07 Class A Material (25 Flame/450 Smoke) criteria. Protectors shall consist of a dual fastening system of full length \*VelcroFastening Strips and tamper resistant self-locking snap fasteners. Shall have PVC Velcro fasteners adhered with heat weld bonding to allow for full enclosure. Protectors must be secured by Heavy-Duty, Self-Locking, Snap Fasteners for permanent safe fit option to deter theft and/or injury.

**Manufacturer: Plumberex  
Specialty Products Inc.**

brand and shall consist of all the above listed components and features.

\*Velcro is a registered trademark of Velcro USA Inc.

## PRODUCT DETAIL:

For kitchen sink applications, specifically waste disposal, exposed piping and supply stop protectors requiring compliance with ADA 4.24. Waste disposal, bend and P-Trap covers attach by a dual fastening system of a 3/4" full length Velcro strip and tamper resistant, self-locking snap fasteners. Surfaces are easy to clean non-absorbent PVC with U/V inhibited, antifungal/anti microbial agents.

## PART NUMBER BY PRODUCT

\*Note: All model colors are white

**MODEL # 3061EO White**  
Kitchen End Outlet &  
P-Trap Cover (Complete Kit)

Available color options:

White	Gray	Almond	Black



MADE IN USA

**PLUMBEREX**  
SPECIALTY PRODUCTS INC.

P.O. Box 1684 Palm Springs, CA 92263 (760) 343-7363 1-800-475-8629 FAX (760)343-7366  
Plumberex Specialty Products, Inc. Reserves the right to make changes or improvements at any time without notice.

© 2004 Plumberex Specialty Products, Inc.

# PLUMBEREX

SPECIALTY PRODUCTS INC

ADA Specialty Products



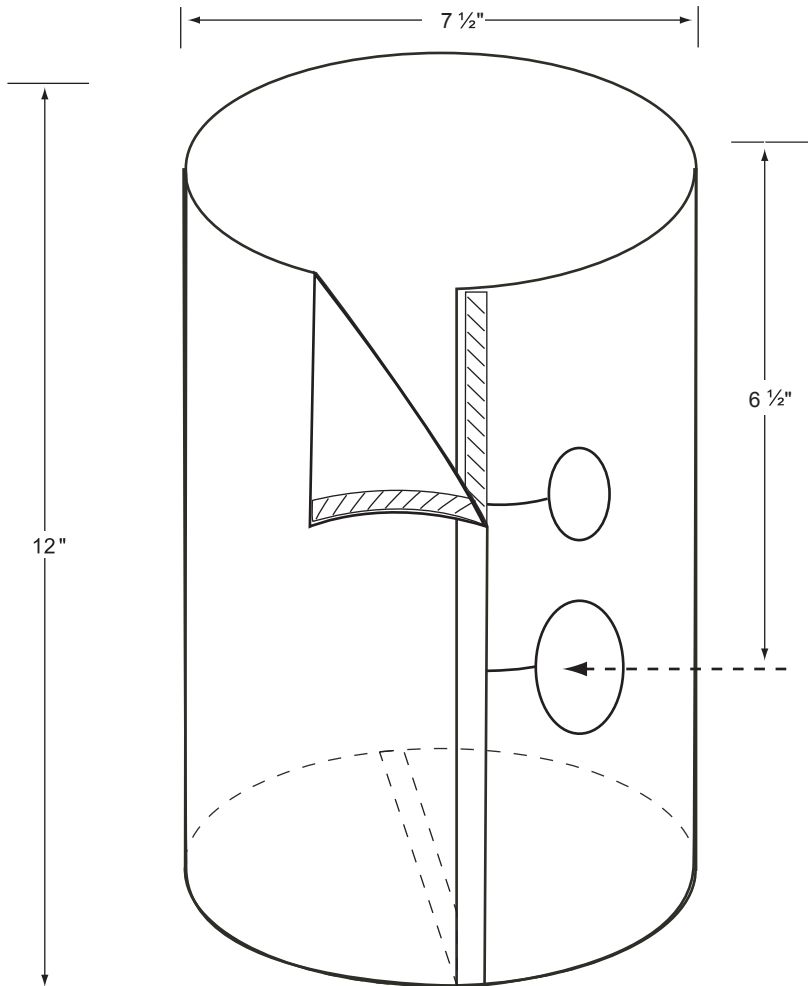
ADA  
Compliant for Americans  
with Disabilities Act  
and IAPMO Listed



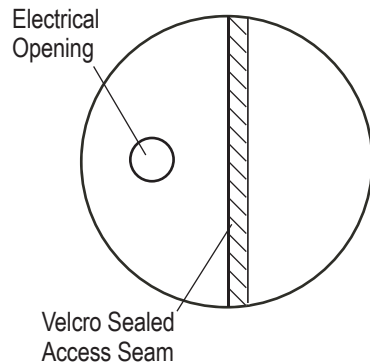
## SUBMITTAL SHEET

PROJECT	
DWG #	
ITEM #	

## Waste Disposal Cover Fits Badger #1 and #5



Bottom View



## SUGGESTED SPECIFICATION

Insulate per ADA 4.24 and or ICC all exposed sink drain piping, hot/cold stops and supplies. Protectors shall conform to UPC/IAPMO PS 94-2001A. Protectors will consist of one-piece jacket with smooth and soft texture, anti-fungal, anti-microbial, closed cell PVC with combination heat welded/sewed construction. Insulation shall conform to International Building Code (IBC) with testing standard of ASTM E84-07 Class A Material (25 Flame/450 Smoke) criteria. Protectors shall consist of a dual fastening system of full length Velcro\* Fastening Strips and tamper resistant self-locking snap fasteners. Shall have PVC Velcro fasteners adhered with heat weld bonding to allow for full enclosure. Protectors must be secured by Heavy-Duty, Self-Locking, Snap Fasteners for permanent safe fit option to deter theft and/or injury.

**Manufacturer: Plumberex Specialty Products Inc.**

brand and shall consist of all the above listed components and features.

\*Velcro is a registered trademark of Velcro USA Inc.

## PRODUCT DETAIL:

For kitchen sink applications, specifically waste disposal, exposed piping and supply stop protectors requiring compliance with ADA 4.24. Waste disposal, bend and P-Trap covers attach by a dual fastening system of a 3/4" full length Velcro strip and tamper resistant, self-locking snap fasteners. Surfaces are easy to clean non-absorbent PVC with U/V inhibited, anti fungal/anti microbial agents.

## PART NUMBER BY PRODUCT

\*Note: All model colors are white

- MODEL # 3071WD-N White**  
Waste Disposal Cover  
Fits Badger #1 and #5

Available color options:

White	Gray	Almond	Black



P.O. Box 1684 Palm Springs, CA 92263 (760) 343-7363 1-800-475-8629 FAX (760) 343-7366  
Plumberex Specialty Products, Inc. Reserves the right to make changes or improvements at any time without notice.

© 2004 Plumberex Specialty Products, Inc.

PROJECT	
DWG #	
ITEM #	

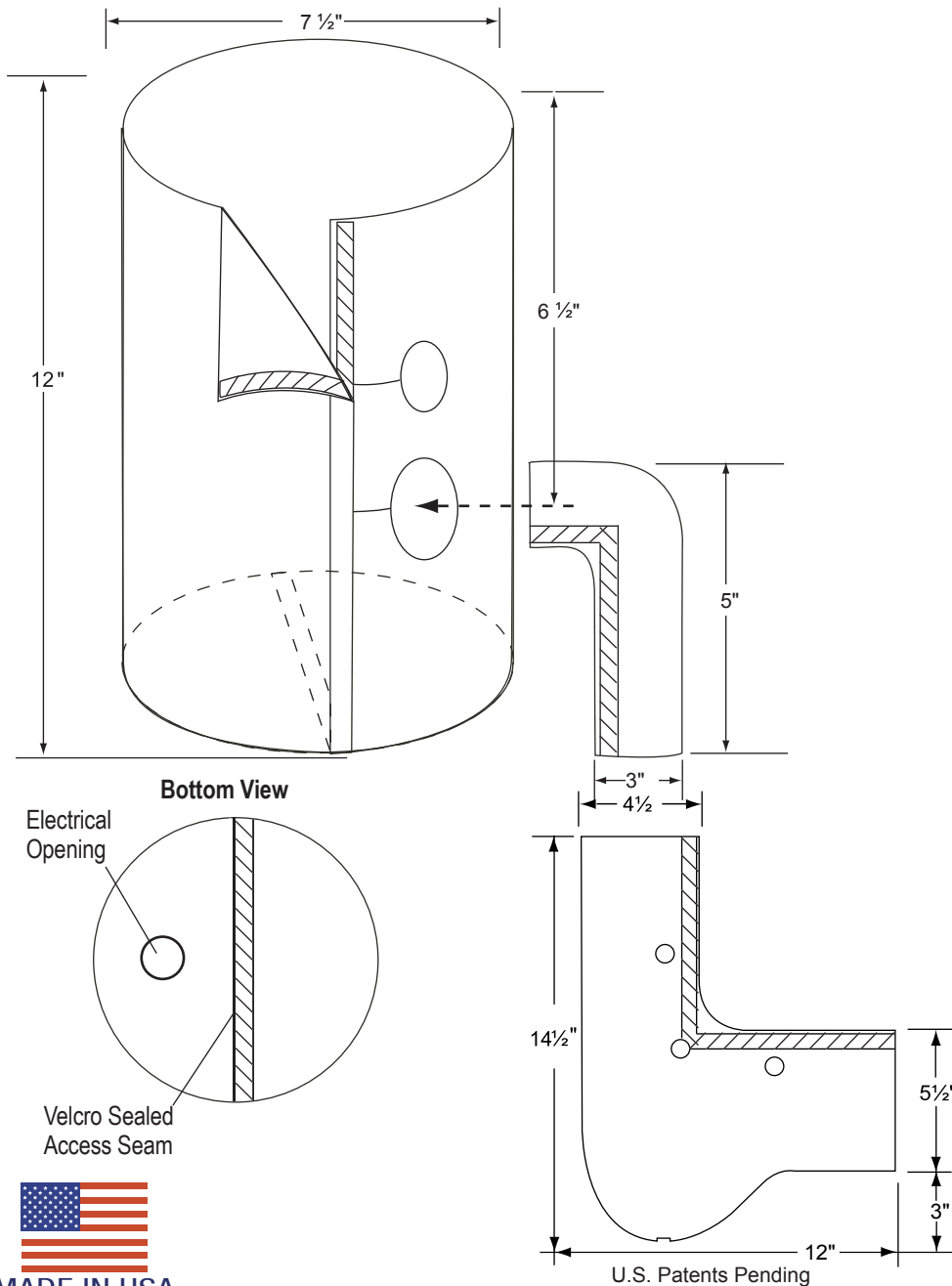
ADA Specialty Products



ADA  
Compliant for Americans  
with Disabilities Act  
and IAPMO Listed



## Waste Disposal w/Bend & P-Trap Cover Fits Badger #1 and #5



### SUGGESTED SPECIFICATION

Insulate per ADA 4.19.4 and or ICC all exposed lavatories drain piping, hot/cold stops and supplies. Protectors shall conform to UPC/IAPMO PS 94-2001A. Protectors will consist of one-piece universal fit jacket with smooth and soft texture, anti-fungal, anti-microbial, closed cell PVC with heat welded construction. Insulation shall conform to International Building Code (IBC) with testing standard of ASTM E84-07 Class A Material (25 Flame/450 Smoke) criteria. Protectors shall consist of a dual fastening system of full length \*Velcro Fastening Strips and tamper resistant self-locking snap fasteners. Shall have PVC Velcro fasteners adhered with heat weld bonding to allow for custom trimming. Protectors must be secured by Heavy-Duty, Self-Locking, Snap Fasteners for permanent safe fit option to deter theft and/or injury.

**Manufacturer: Plumberex Specialty Products Inc.**

brand and shall consist of all the above listed components and features.

\*Velcro is a registered trademark of Velcro USA Inc.

### PRODUCT DETAIL:

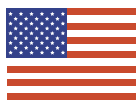
For kitchen sink applications, specifically waste disposal, exposed piping and supply stop protectors requiring compliance with ADA 4.24. Waste disposal, bend and P-Trap covers attach by a dual fastening system of a 3/4" full length Velcro\* strip and tamper resistant, self-locking snap fasteners. Surfaces are easy to clean non-absorbent PVC with U/V inhibited, antifungal/antimicrobial agents.

### PART NUMBER BY PRODUCT

**MODEL # 3071WD-333**  
**White**  
Waste Disposal Cover/Bend Cover and P-Trap Cover  
Fits Badger #1 and #5

Available color options:

White	Gray	Almond	Black



MADE IN USA



PROJECT	
DWG #	
ITEM #	

ADA Specialty Products

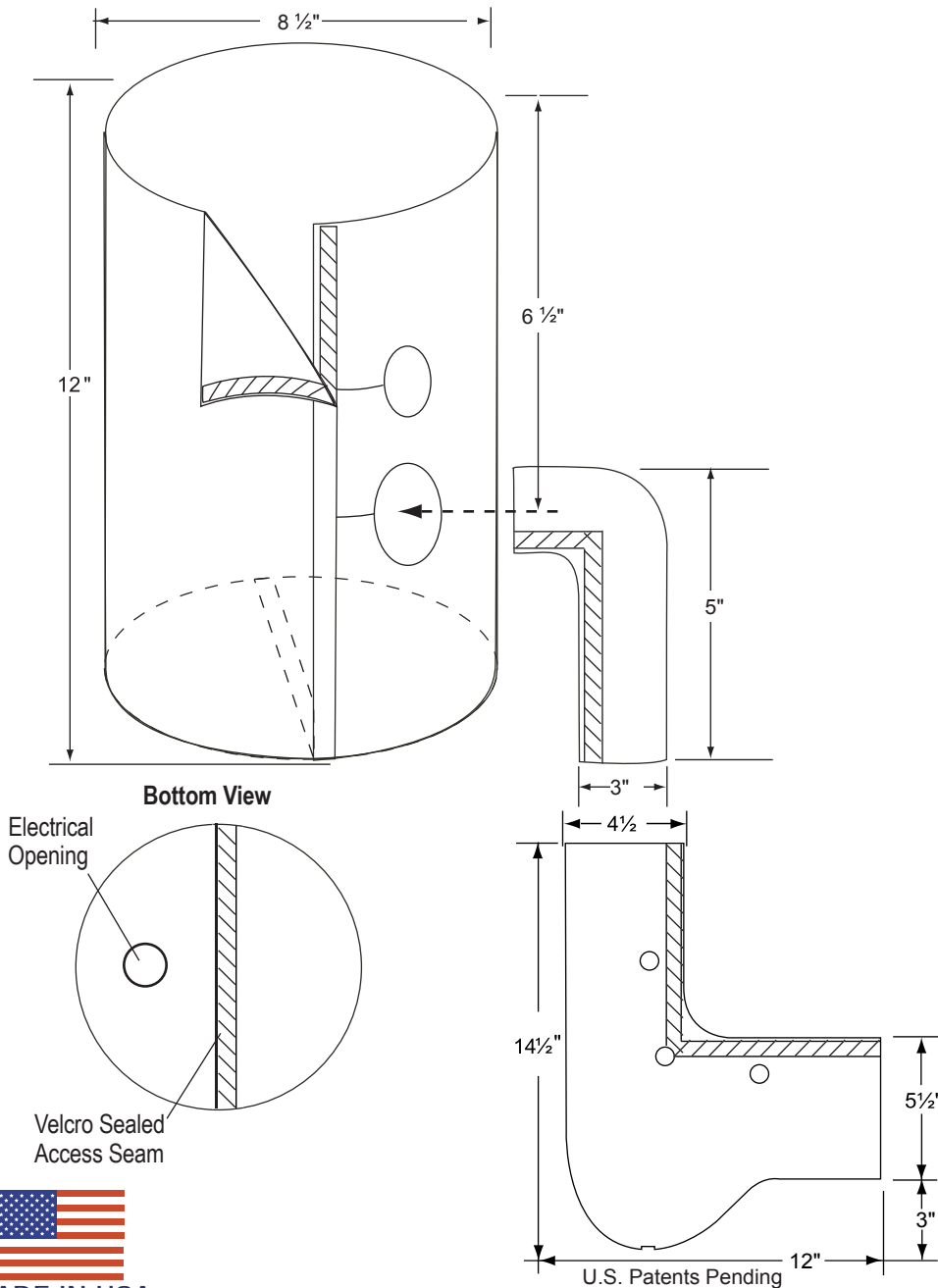


ADA  
Compliant for Americans  
with Disabilities Act  
and IAPMO Listed



## Waste Disposal w/Bend & P-Trap Cover

Fits Pro-333/SS/777 Series



### SUGGESTED SPECIFICATION

Insulate per ADA 4.19.4 and or ICC all exposed lavatories drain piping, hot/cold stops and supplies. Protectors shall conform to UPC/IAPMO PS 94-2001A. Protectors will consist of one-piece universal fit jacket with smooth and soft texture, anti-fungal, anti-microbial, closed cell PVC with heat welded construction. Insulation shall conform to International Building Code (IBC) with testing standard of ASTM E84-07 Class A Material (25 Flame/450 Smoke) criteria. Protectors shall consist of a dual fastening system of full length \*VelcroFastening Strips and tamper resistant self-locking snap fasteners. Shall have PVC Velcro fasteners adhered with heat weld bonding to allow for custom trimming. Protectors must be secured by Heavy-Duty, Self-Locking, Snap Fasteners for permanent safe fit option to deter theft and/or injury.

**Manufacturer: Plumberex Specialty Products Inc.**

brand and shall consist of all the above listed components and features.

\*Velcro is a registered trademark of Velcro USA Inc.

### PRODUCT DETAIL:

For kitchen sink applications, specifically waste disposal, exposed piping and supply stop protectors requiring compliance with ADA 4.24. Waste disposal, bend and P-Trap covers attach by a dual fastening system of a 3/4" full length Velcro\* strip and tamper resistant, self-locking snap fasteners. Surfaces are easy to clean non-absorbent PVC with U/V inhibited, antifungal/antimicrobial agents.

### PART NUMBER BY PRODUCT

**MODEL # 3071WD-P37**  
**White**  
Waste Disposal Cover/Bend  
Cover and P-Trap Cover  
Fits Pro-333/SS/777 Series

Available color options:

White	Gray	Almond	Black

# PLUMBEREX

SPECIALTY PRODUCTS INC

ADA Specialty Products

PVC Insulation Material Meets ASTM E 84 25/450\*



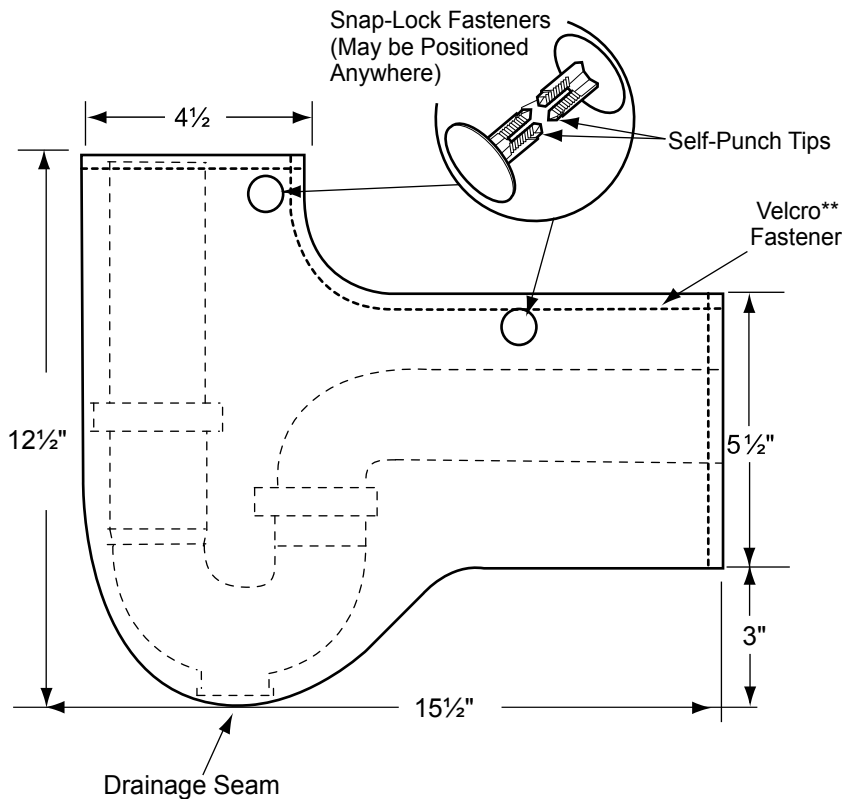
ADA  
Compliant for Americans  
with Disabilities Act  
and IAPMO Listed



## SUBMITTAL SHEET

PROJECT	
DWG #	
ITEM #	

## 2" P-Trap Insulator #3011-2



## SUGGESTED SPECIFICATION

Insulate per ADA (sec. 4.19.4), ADAAG (sec. 606.5) and ICC/A117.1 (sec. 606.6) all drainage piping including all hot and cold water Valve and Supplies under lavatories. PVC Insulation Material to comply with IBC (International Building Code) shall meet Testing Standard ASTM E 84-07 with a 25 flame spread/450 smoke index.\*

**Manufacturer:**  
**Plumberex Specialty Products, Inc.**  
**Model: #3011-2**

2 inch P-Trap Insulator shall have a one-piece design and be pliable for high flexibility requirements. PVC insulator to be 1/8" thick and shall meet **Testing Standard ASTM E 84-07 with a 25 flame spread/ 450 smoke index per IBC Chapter 8**. Surfaces to be soft, smooth, non-absorbent, easy to clean U/V inhibited, antimicrobial, antifungal properties. Insulator shall have a dual fastening system which consists of fusion bonded Velcro\*\* fastener strips for full slit enclosure and tamper resistant, smooth, non-abrasive snap-locking fasteners.

**2 inch P-Trap Insulator** one-piece design for a universal fit for 2" brass or plastic traps, and shall have drainage at lowest point for condensation and/or leakage.

### CODES & STANDARDS COMPLIANCE

ADA 4.19.4, ADAAG 606.5  
ICC/ANSI A 117.1 (sec. 606.6)  
IBC (International Building Code) Chapter 8  
UPC/IAPMO 94-2008  
ASTM E-84-07  
ASTM C-177/ASTM C-518

## PART NUMBER BY PRODUCT

\*Note: All model colors are white

- MODEL # 3011-2 White**  
2 Inch P-Trap Cover
- MODEL # 3010-2 Black**  
2 Inch P-Trap Cover
- MODEL # 3013-2 Gray**  
2 Inch P-Trap Cover
- MODEL # 3012-2 Almond**  
2 Inch P-Trap Cover

Available color options:

White	Gray	Almond	Black

\*Tested in accordance with Testing Standard ASTM E 84-07 with a 25 flame spread/450 smoke index (not for Plenum use).  
\*\*Velcro is a registered trademark of Velcro USA Inc.



MADE IN USA



P.O. Box 1684 Palm Springs, CA 92263 (760) 343-7363 1-800-475-8629 FAX (760)343-7366  
Plumberex Specialty Products, Inc. Reserves the right to make changes or improvements at any time without notice.

© 2012 Plumberex Specialty Products, Inc.

# PLUMBEREX

SPECIALTY PRODUCTS INC



ADA  
Compliant for Americans  
with Disabilities Act  
and IAPMO Listed

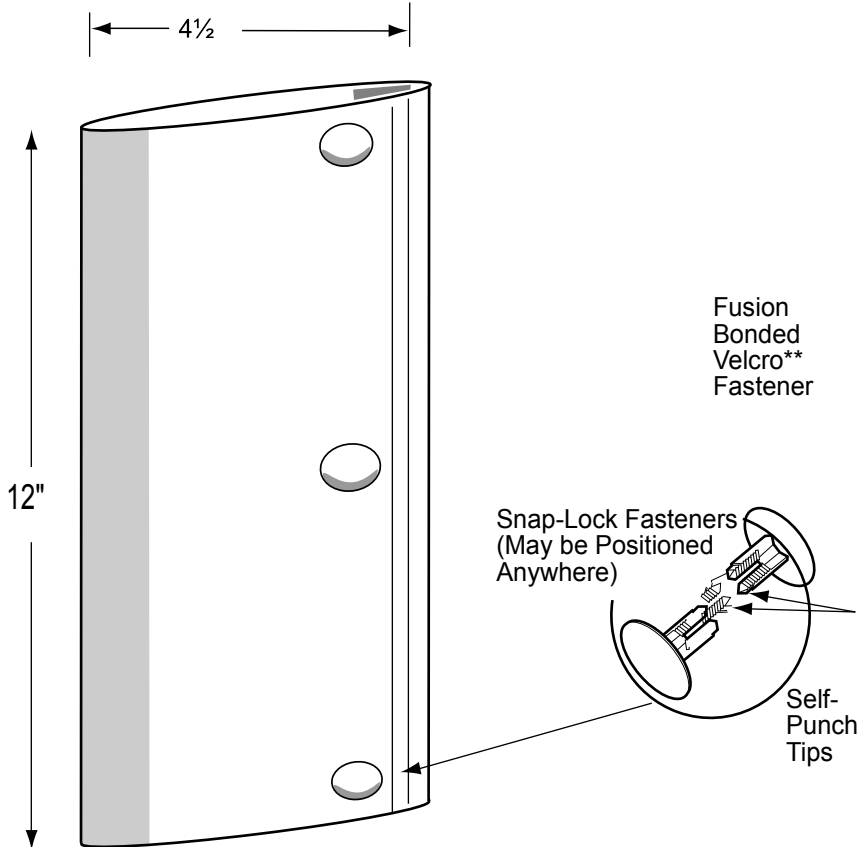


ADA Specialty Products

## SUBMITTAL SHEET

PROJECT	
DWG #	
ITEM #	

## 12" Tailpiece Extension #3031



## SUGGESTED SPECIFICATION

Insulate per ADA (sec. 4.19.4), ADAAG (sec.606.5) and ICC/A117.1 (sec. 606.6) all drainage piping including all hot and cold water Valve and Supplies under lavatories. PVC Insulation Material to comply with IBC (International Building Code) shall meet Testing Standard ASTM E 84-07 with a 25 flame spread/450 smoke index.\*

**Manufacturer:**Plumberex Specialty Products  
**Model:** #3031

**Tailpiece Extension** shall have a one-piece design, fusion molded fabrication and pliable for high flexibility requirements. PVC insulator to be 1/8" thick and shall meet **Testing Standard ASTM E 84-07 with a 25 flame spread/ 450 smoke index per IBC Chapter 8.** Surfaces to be soft, smooth, non-absorbent, easy to clean U/V inhibited, antimicrobial, antifungal properties. Insulator shall have a dual fastening system which consists of fusion bonded Velcro\*\* fastener strips for full slit enclosure and tamper resistant, smooth, non-abrasive snap-locking fasteners.

**Tailpiece Extension** one-piece design for a universal fit for 1 1/4 & 1 1/2 brass & plastic tubular and shall have drainage at lowest point for condensation and/or leakage.

## CODES & STANDARDS COMPLIANCE

ADA 4.19.4, ADAAG 606.5  
ICC/ANSI A 117.1 (sec. 606.6)  
IBC (International Building Code) Chapter 8

\*Velcro is a registered trademark of Velcro USA Inc.

## PART NUMBER BY PRODUCT

\*Note: All model colors are white

**MODEL # 3031 White**  
12 Inch Tailpiece Extension

## Available color options:

White	Gray	Almond	Black



MADE IN USA

**PLUMBEREX**  
SPECIALTY PRODUCTS INC.

P.O. Box 1684 Palm Springs, CA 92263 (760) 343-7363 1-800-475-8629 FAX (760)343-7366  
Plumberex Specialty Products, Inc. Reserves the right to make changes or improvements at any time without notice.

© 2004 Plumberex Specialty Products, Inc.



# PLUMBEREX

SPECIALTY PRODUCTS INC

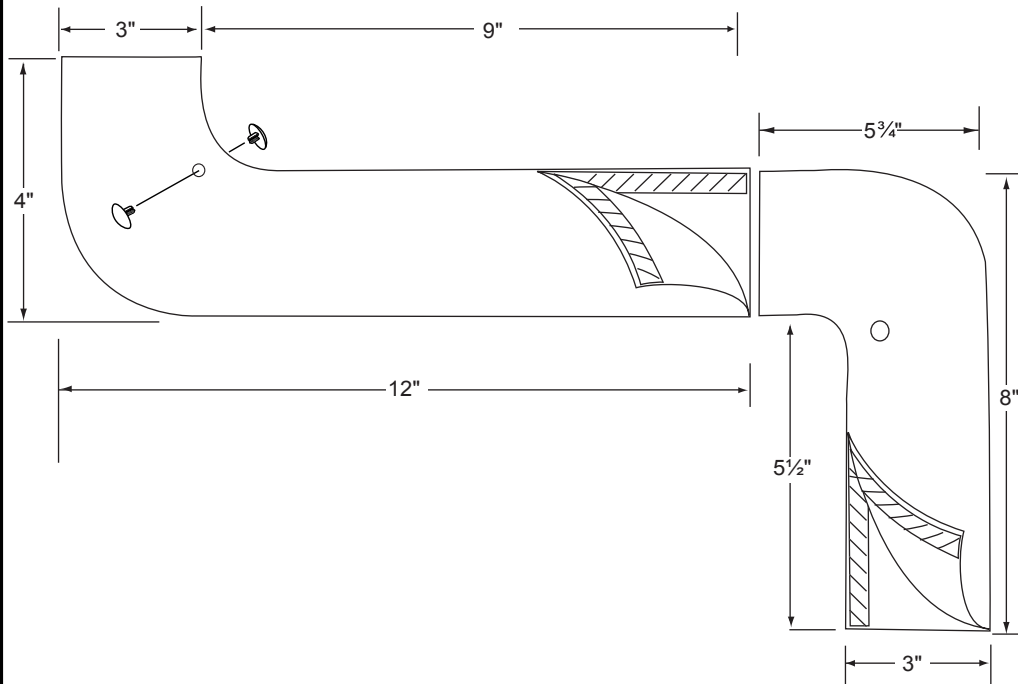
ADA Specialty Products



ADA  
Compliant for Americans  
with Disabilities Act  
and IAPMO Listed



## Bar Sink/Kitchen Offset Cover



### SUBMITTAL SHEET

PROJECT	
DWG #	
ITEM #	

### SUGGESTED SPECIFICATION

Insulate hot and cold domestic water piping, waste piping, and other components below ADA plumbing fixtures with IAPMO/UPC listed, sewed, removable 1/8" thick PVC vinyl with a smooth soft and pliable texture. Insulation shall conform to International Building Code (IBC) with testing standard of ASTM E84-07 Class A Material (25 Flame/450 Smoke) criteria. Protectors shall consist of a dual fastening system of full length \*Velcro Fastening Strips and tamper resistant self-locking snap fasteners.. Protectors shall consist of a dual fastening system of full length \*Velcro Fastening Strips and tamper resistant self-locking snap fasteners.

### Manufacturer: Plumberex Specialty Products Inc.

brand and shall consist of all the above listed components and features.

\*Velcro is a registered trademark of Velcro USA Inc.

### PRODUCT DETAIL:

Protectors shall have a universal fit for 1 1/4"-1 1/2" brass or plastic P-Traps. Surfaces shall have a non-abrasive, non-absorbent easy to clean U/V inhibited, antimicrobial, and antifungal properties. Install to comply with ADA 4. 24. for exposed P-traps and water valve supplies under lavatory plumbing fixtures.

### PART NUMBER BY PRODUCT

**MODEL # 3051-XL White**  
Bar Sink/Kitchen Offset Cover

### Available color options:

White	Gray	Almond	Black



MADE IN USA



P.O. Box 1684 Palm Springs, CA 92263 (760) 343-7363 1-800-475-8629 FAX (760) 343-7366  
Plumberex Specialty Products, Inc. Reserves the right to make changes or improvements at any time without notice.

© 2004 Plumberex Specialty Products, Inc.