

# Central Brass

C O M P A N Y

Brecksville, Ohio 44141

Phone: (216) 883-0220 Fax: (440) 526-5745

www.CentralBrass.com

0951 0961 0971 80971

THREE-VALVE

BATH/SHOWER FITTING

## 11" Centers, I.P. Unions, Compression Stems, Replaceable Seats



**0951 Series**

Bath Valve only

**0961 Series**

Bath Valve with Spout

**0971 Series**

Bath Valve with Spout & Shower

## 11" Centers, I.P. Unions, Ceramic Stems and Spout & Shower

**80971 Series**

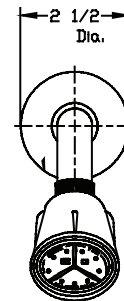
Bath Valve with Spout & Shower



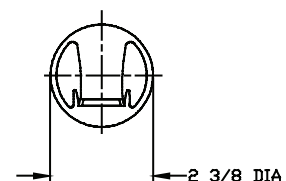
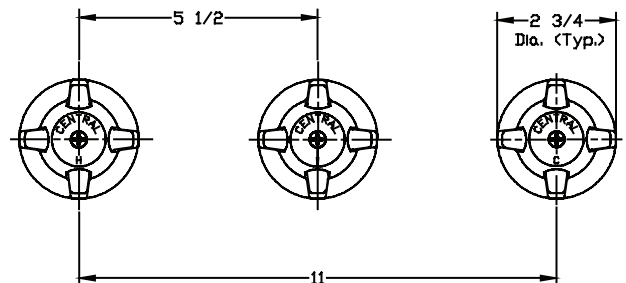
ASME A112.18.1M

Shower Flow Rate

2.5 gpm @ 80 psi



The three-valve bath and shower fitting is made with a cast brass body with replaceable seats (for compression stems only) designed for I.P. union connections. The stem units are all brass, with a reinforced rubber packing and rubber seat washer (for compression stems) or ceramic sealing discs (for ceramic units). The stem units can be easily replaced from the front of the fitting without removing the valve body. The handles and escutcheons are zinc die cast with a chrome plated finish. The shower arm is brass with a chrome plated finish, the escutcheon is stainless steel and the shower head is chrome plated plastic. The 1/2-inch spout is brass or Zamak (Z suffix) with a chrome plated finish. Direct sweat union sleeves (C suffix) are available.



# Central Brass

C O M P A N Y

Brecksville, Ohio 44141

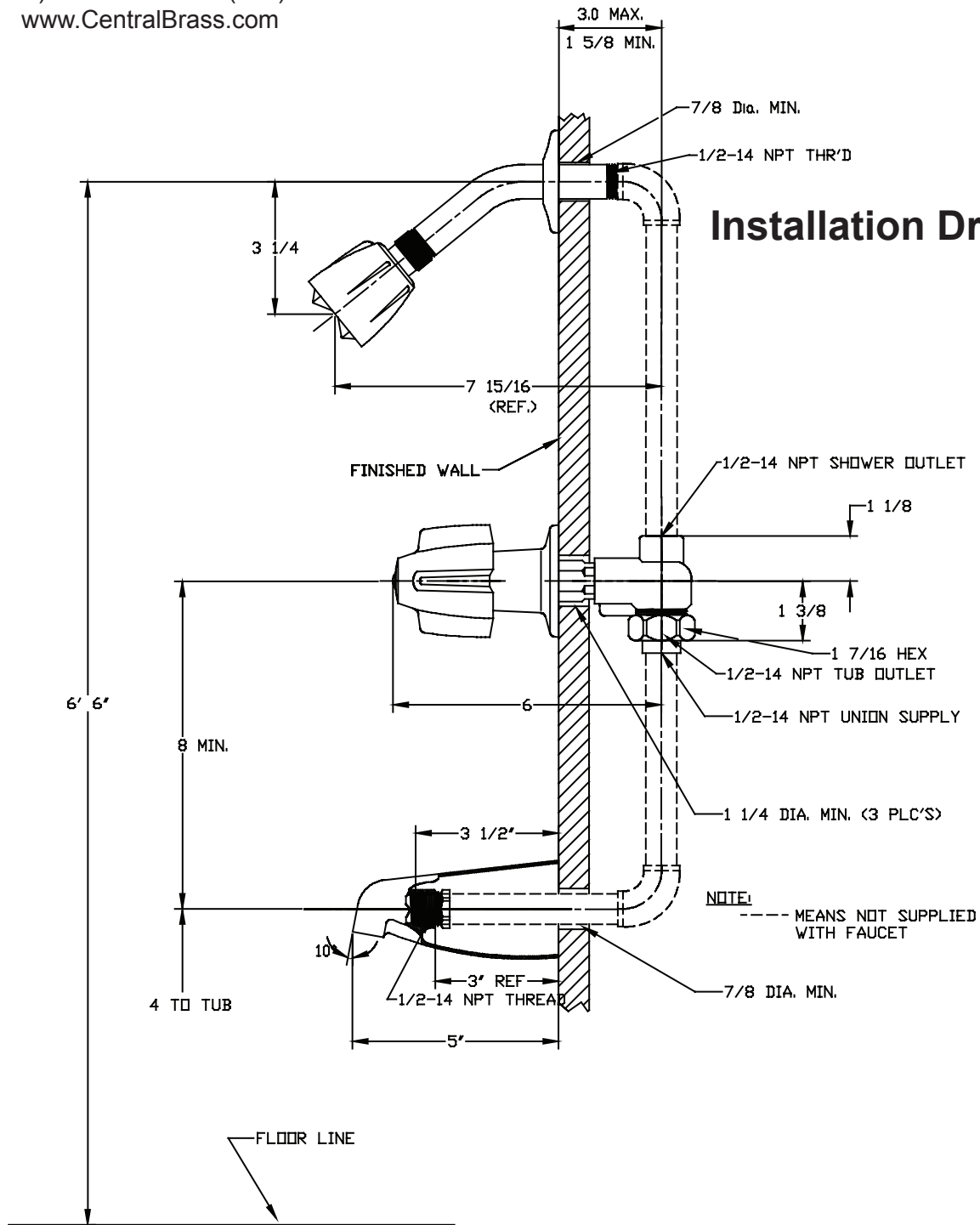
Phone: (216) 883-0220 Fax: (440) 526-5745

www.CentralBrass.com

**0951 0961 0971 80971**

**THREE-VALVE**

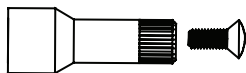
**BATH/ShOWER FITTING**



## Installation Drawing

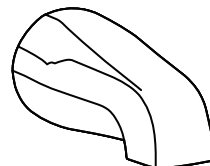
*Accessories available*

*Spout variations available*



Brass  
Stem Extension

G-1548-ET  
(Available Separately)  
Used for thicker wall dimensions



Z - Suffix  
Zamak Spout

3154-Z