

# PHILIPS

## Industrial

### High Bay

16,000 & 24,000 lms



Project: \_\_\_\_\_  
 Location: \_\_\_\_\_  
 Cat.No: \_\_\_\_\_  
 Type: \_\_\_\_\_  
 Lamps: \_\_\_\_\_ Qty: \_\_\_\_\_  
 Notes: \_\_\_\_\_

The Philips High Bay provides versatility in form and function. This luminaire can be used in many different applications ranging from warehouses to retail outlets. Compact and economical, these fixtures help you save energy without sacrificing light output.

#### Ordering guide

Example: FBX24LL40-UNV

Family	Lumen Package	Source	Color Temperature	Voltage
<b>PFBX</b>	<input type="text"/>	<b>L</b>	<input type="text"/> -	<b>UNV</b> -
<b>PFBX</b> High Bay LED	<b>16L</b> 16,000 nominal delivered lumens <b>24L</b> 24,000 nominal delivered lumens	<b>L</b> LED	<b>40</b> 4000K (CRI 80) <b>50</b> 5000K (CRI 80)	<b>UNV</b> Universal voltage 120-277V

#### Predicted L70 Lifetime

- 40°C Ambient > 100,000 hours  
(based upon LED manufacturer's supplied LM-80 data and in-situ laboratory testing)

#### Accessories (order separately)

- PFBX CHAIN KIT** 54" chains & V brackets
- PFBX-GRIP5** 5' cables & V brackets
- PFBX-GRIP10** 10' cables & V brackets
- PFBX-PENHGR** Pendant hanger (adds 3" to height)
- PWG-FBX-2W** Wire guard

# Lighttogo



# High Bay LED

16,000 & 24,000 lms

## Application

- This luminaire can be used to illuminate retail, cold storage, manufacturing, warehousing and many other large indoor spaces with control and precision.

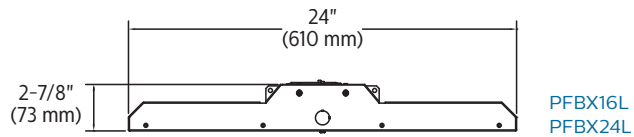
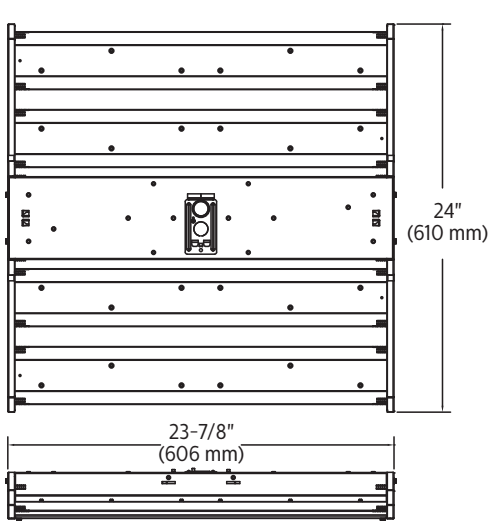
## Construction/Finish

- Metal housing and reflectors provide excellent thermal transfer to extend component life.
- End holes to attach V bracket for chain or cable hanging.
- May be cable, chain, or pendant mounted.

- 7/8" K.O. at each end of luminaire for wiring or motion detector.
- Polyester powder finish for excellent impact and corrosion resistance.
- LED light engines and drivers are field replaceable.
- 5 Year Limited Warranty.
- Components are RoHS compliant.
- Listed by ETL to meet UL 1598 standards for damp location and -35°C to 40°C ambient.

- Dimming drivers are standard. Control is 0-10V DC.
- DLC Listing for most variations. Please check the DLC Qualified Products List to confirm ([www.designlights.org/QPL](http://www.designlights.org/QPL)).
- 4KV surge protection standard.

## Dimensions



## General Notes

- All accessories are field installed.
- Many luminaire components, such as reflectors, refractors, lenses, sockets, lampholders, and LEDs are made from various types of plastics which can be adversely affected by airborne contaminants. If sulfur based chemicals, petroleum based products, cleaning solutions, or other contaminants are expected in the intended area of use, consult factory for compatibility.

# High Bay LED

16,000 & 24,000 lms

## High Bay, general distribution, 16,000 nominal delivered lumens

Catalog No.	PFBX16LL40-UNV
Test No.	37213
S/MH	1.3
Lamp Type	LED
Lumens/Lamp	17146
Input Watts	125

### Candela distribution

Vertical Angle	Horizontal Angle			
	0°	45°	90°	-45°
0	6491	6491	6491	6491
5	6498	6458	6466	6458
15	6321	6288	6297	6288
25	5932	5920	5911	5920
35	5017	5010	4975	5010
45	4263	4295	4298	4295
55	3368	3396	3299	3396
65	2271	2132	984	2132
75	1137	245	239	245
85	194	119	126	119

Comparative yearly lighting energy cost per 1000 lumens – **\$1.74** based on 3000 hrs. and \$.08 pwr KWH.

The photometric results were obtained in the Philips Day-Brite laboratory which is NVLAP accredited by the National Institute of Standards and Technology.

Photometric values based on test performed in compliance with LM-79.

### Light Distribution

Degrees	Lumens	% Luminaire
0-30	5123	29.8
0-40	8275	48.2
0-60	14575	84.8
0-180	17180	100.0

### Average Luminance

Angle	End	45°	Cross
45	18268	18408	18420
55	17792	17944	17430
65	16286	15285	7055
75	13307	2865	2795
85	6728	4148	4367

### Coefficients of Utilization

#### EFFECTIVE FLOOR CAVITY REFLECTANCE 20 PER (pfc=0.20)

Ceiling (pcc)	80%			70%			50%		
	70	50	30	70	50	30	50	30	
Wall (pw)	70	50	30	70	50	30	50	30	
RCR	Zonal cavity method - Effective floor reflectance = 20%								
Room Cavity Ratio	0	118	118	118	115	115	111	111	
	1	110	105	102	107	103	100	98	
	2	100	93	85	97	91	84	86	
	3	92	81	73	89	80	72	77	
	4	83	72	64	81	71	64	68	
	5	78	65	56	76	64	56	61	
	6	71	58	50	69	57	50	56	
	7	66	53	45	65	52	44	51	
	8	61	48	40	59	47	40	46	
	9	57	45	36	56	44	35	42	
	10	54	40	33	53	40	33	40	

## High Bay, general distribution, 24,000 nominal delivered lumens

Catalog No.	PFBX24LL40-UNV
Test No.	36994
S/MH	1.3
Lamp Type	LED
Lumens/Lamp	24116
Input Watts	178

### Candela distribution

Vertical Angle	Horizontal Angle			
	0°	45°	90°	-45°
0	8924	8924	8924	1656
5	8938	8878	8878	1650
15	8683	8638	8642	1589
25	8133	8116	8102	1437
35	7349	7343	7269	1207
45	6243	6284	6314	929
55	4613	4643	4678	656
65	3105	2930	1538	417
75	1552	293	328	215
85	266	167	177	48

Comparative yearly lighting energy cost per 1000 lumens – **\$1.76** based on 3000 hrs. and \$.08 pwr KWH.

The photometric results were obtained in the Philips Day-Brite laboratory which is NVLAP accredited by the National Institute of Standards and Technology.

Photometric values based on test performed in compliance with LM-79.

### Light Distribution

Degrees	Lumens	% Luminaire
0-30	7035	29.2
0-40	11623	48.2
0-60	20605	85.4
0-180	24116	100.0

### Average Luminance

Angle	End	45°	Cross
45	26728	26905	27034
55	24349	24510	24692
65	22241	20988	11016
75	18153	3432	3836
85	9251	5784	6159

### Coefficients of Utilization

#### EFFECTIVE FLOOR CAVITY REFLECTANCE 20 PER (pfc=0.20)

Ceiling (pcc)	80%			70%			50%		
	70	50	30	70	50	30	50	30	
Wall (pw)	70	50	30	70	50	30	50	30	
RCR	Zonal cavity method - Effective floor reflectance = 20%								
Room Cavity Ratio	0	119	119	119	116	116	111	111	
	1	110	106	102	107	103	100	99	
	2	101	93	87	98	91	85	88	
	3	92	82	74	90	81	73	78	
	4	84	73	65	82	72	64	69	
	5	78	65	57	76	64	56	62	
	6	72	59	50	70	58	50	56	
	7	67	53	45	65	53	44	51	
	8	62	49	40	60	48	40	47	
	9	58	45	37	56	44	36	43	
	10	54	41	33	53	41	33	40	

### Photometric Test List

Catalog No.	Test No.	Delivered Lumens	Input Watts	Efficacy
PFBX16LL40-UNV	37213	17146	125	138
PFBX24LL40-UNV	36994	24116	178	136

© 2017 Philips Lighting Holding B.V. All rights reserved. Philips reserves the right to make changes in specifications and/or to discontinue any product at any time without notice or obligation and will not be liable for any consequences resulting from the use of this publication. [philips.com/Lighttogo](http://philips.com/Lighttogo)



Philips Lighting North America Corporation  
200 Franklin Square Drive, Somerset, NJ 08873  
Tel. 855-486-2216

Philips Lighting Canada Ltd.  
281 Hillmount Rd, Markham, ON, Canada L6C 2S3  
Tel. 800-668-9008