

PHILIPS
Day-Brite
CFI

Linear

FluxStream



A **revolution** in linear suspended luminaires

High performing luminaire delivering smooth diffuse light ideal for light industrial, commercial, and residential applications with the unparalleled energy efficiency of Philips LED light engines

FluxStream

LED strip



Revolutionize
**LINEAR
LIGHTING**
with the benefits
of LED technology

The FluxStream LED family of luminaires developed by Philips Day-Brite / Philips CFI offers you dramatically improved new standards for flexibility, maintenance-free long life, and enduring lighting quality versus traditional fluorescents.

A versatile product family that can be specified in a great range of lighting applications

The FluxStream LED family has multiple reflector/shielding options and is easily adapted for continuous row installations. It is applicable to virtually any linear lighting application from commercial, warehouse and industrial facilities to office, municipal and retail environments.

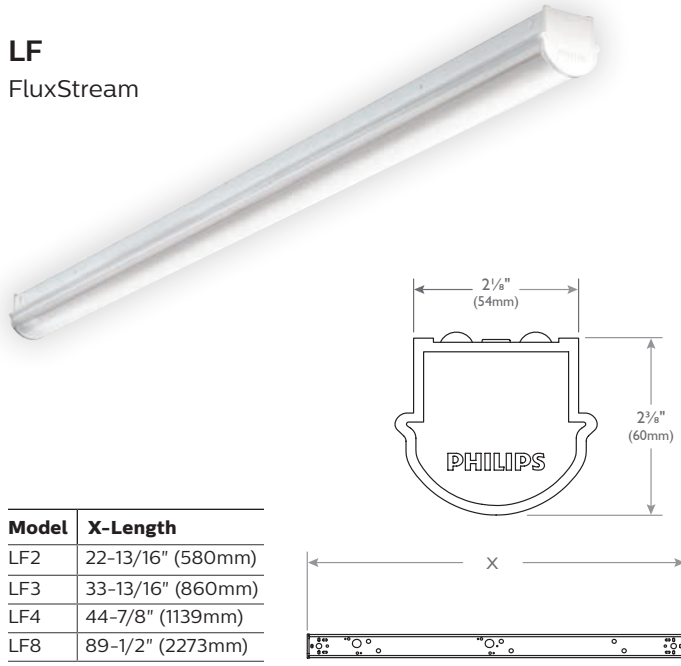
Provides uncompromised lighting performance versus fluorescent alternatives

FluxStream LED achieves similar light levels to fluorescent strips while using up to 33% less energy. A carefully designed thermal system and stringent LED testing ensures that FluxStream LED delivers consistency not only from luminaire to luminaire but also over the lifetime of each fixture.

Delivers reliable performance, even in cold conditions

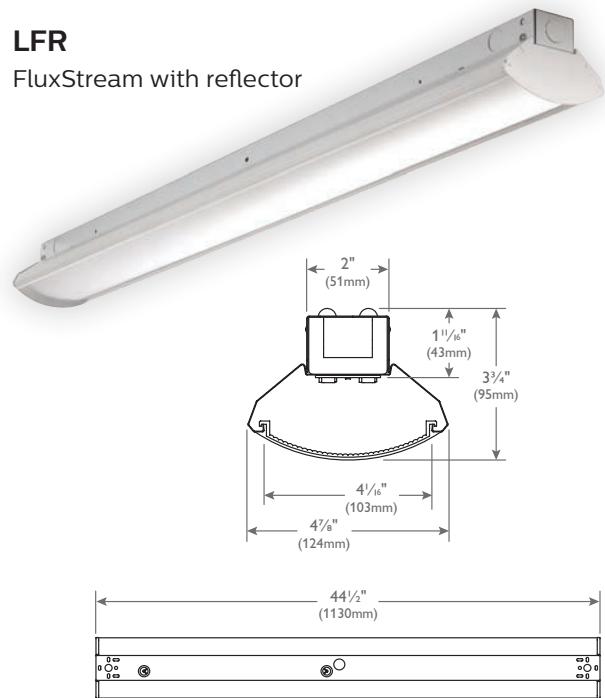
FluxStream LED luminaires deliver consistent light from -20°C to $+25^{\circ}\text{C}$ ($+30^{\circ}\text{C}$ suspended). Options available for -40°C operating ambient for applications such as freezer storage, and 35°C for exposed environments such as covered parking garages.

LF
FluxStream



Model	X-Length
LF2	22-13/16" (580mm)
LF3	33-13/16" (860mm)
LF4	44-7/8" (1139mm)
LF8	89-1/2" (2273mm)

LFR
FluxStream with reflector



Note: 7/8" KO's in each end of luminaire. Refer to spec sheet for EMLED dimensions.

Ordering guide

example: LF8FR3940UDZT

Series	Length (nominal)	Lens	Reflector	Lumens ⁵ (nominal)	Color	Voltage	Driver
LF FluxStream	2 2' length 3 3' length 4 4' length 8 8' length ¹	FR 100% Frost	None	20 2000 lumens ² 30 3000 lumens ³ 31 3100 lumens ⁴ 39 4000 lumens ⁴ 52H 5200 lumens, hi-temp ⁴ 60 6000 lumens ⁴	50 5000K 40 4000K 35 3500K 30 3000K	U Universal 120/277V 1 120V ⁶ 2 277V ⁶ 3 347V ⁷	DZT 0-10v dimming SZT Step dimming (100-40) XDIM⁶ MarkX Phase Dimming DALI DALI L3D Lutron Hi-Lume A 1% Dimming
LFR FluxStream Reflector	4 4' length	FL Frosted linear lens	SLD Solid SLT Slotted PER Perforated	37 3700 lumens 55 5500 lumens	50 5000K 40 4000K 35 3500K 30 3000K	3 347V ⁷ U Universal 120/277V	DZT 0-10v dimming SZT Step dimming (100-40) XDIM⁶ MarkX Phase Dimming DALI DALI

Options and Accessories

Stem and Canopy Mounting kits	Aircraft Cable and canopy kits	Chain Hanging kits	Motion Sensor	Wireguard	Continuous Row Joiner	Emergency Options
Recommended two per luminaire SV5F12 12" stem SV5F18 18" stem SV5F24 24" stem SV5F36 36" stem SV5F48 48" stem	Adjustable from 6"-60" SVC60 Standard kit SVCC60-347 Standard kit with 347v power feed SVCC60-UNV Standard kit with Universal 120/277v power feed	Chains & V-hooks kit EE9HC Includes two 24" heavy duty link chains with sturdy V-hooks	Field installed via 7/8" knock-out on end cap FH360-UNV 120V FH360-UNV 277V FH360-UNV 347V	Installed over lens LF4WGW 4ft nominal white finish. Not available with FluxStream Reflector (LFR)	Specify by fixture style LF CPL for FluxStream (LF) SV5 CPL for FluxStream Reflector (LFR)	EMLED⁴ Factory wired integral emergency pack. Nominal 1100 lm. Philips Bodine BSL310LP

1. 8' standard FluxStream is 4' tandem with single piece 8' body.
2. Only available with 2' unit.
3. Only available with 3' unit.
4. Only available with 4' and 8' units.
5. Nominal delivered lumens at 25C ambient.
6. XDIM option must be specified with 120V or 277V options only.
7. 347V not available with 5500 lumens or 6000 lumens.



© 2016 Philips Lighting Holding B.V. All rights reserved. Philips reserves the right to make changes in specifications and/or to discontinue any product at any time without notice or obligation and will not be liable for any consequences resulting from the use of this publication.

PDb-1303BR 02/16 www.philips.com/luminaires

Philips Lighting
North America Corporation
200 Franklin Square Drive
Somerset, NJ 08873
Tel. 855-486-2216

Philips Lighting Canada Ltd.
281 Hillmount Rd,
Markham, ON,
Canada L6C 2S3
Tel. 800-668-9008