



# Reflector Flood

Reflector 50W Med 120V ER30 FL FR 1CT

Philips Family of Specialty Incandescents provide the perfect light for dramatic accents and display lighting as well as general lighting in a variety of applications. These flood lamps produce homogeneous beams of high intensity for general illumination.

## Product data

### • General Characteristics

Base	Medium [Single Contact Medium Screw]
Base Information	Aluminum [Aluminum Base]
Bulb	ER30
Bulb Finish	Frosted
Filament Shape	CC6 [Straight]
Operating Position	Universal [Any or Universal (U)]
Main Application	Indoor Reflector
Atmosphere	Gas
Life with 3h/day use [years]	0.9 an
Estimated Energy Cost/YR	7.11 \$

### • Light Technical Characteristics

Beam Description	Flood [Flood]
Color Temperature	2790 K
Initial lumen	570 Lm
Initial Lumens @ 120V	430 Lm

### • Electrical Characteristics

Watts	50 W
Lamp Wattage	52 W
Rated@120V	
Voltage	120 V

### • Product Dimensions

Max Overall Length (MOL) - C	6.375 (max) in
Diameter D	3.721 in

### • Footnotes

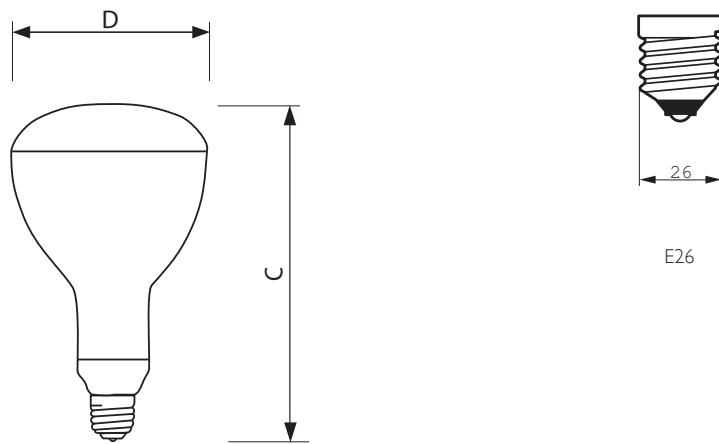
Footnotes Incandescent	87 [Do not allow hot bulb to come in contact with liquid or metal parts of the fixture, as glass may shatter. Do not use outdoors. Do not operate in close proximity to flammable materials or those adversely affected by heat or drying. Operate only in heat resistant sockets. (87)]
------------------------	--

### • Product Data

Product number	143552
Full product name	Reflector 50W Med 120V ER30 FL FR 1CT
Short product name	Refl 50W Med 120V ER30 FL FR 1CT
Pieces per Sku	1
eop_pck_cfg	24
Skus/Case	24
Bar code on pack	46677143558
Bar code on case	50046677143553
Logistics code(s)	923250035502
eop_net_weight_pp	0.001 kg

# PHILIPS

## Dimensional drawing



Reflector 50W Med 120V ER30 FL FR 1CT



© 2015 Koninklijke Philips N.V. (Royal Philips)  
All rights reserved.

Specifications are subject to change without notice. Trademarks are the property of Koninklijke Philips N.V. (Royal Philips) or their respective owners.

[www.philips.com/lighting](http://www.philips.com/lighting)

2015, August 29  
data subject to change