



MR16/GU10/PAR16 LED

8.5MRX16/LED/F25 4000 DIM AF 10/1

Philips MR16 Dimmable LED Lamps provide ambient level light to illuminate hard to maintain applications. Increased transformer compatibility allows for operation on a wider range of transformers. Available in dimmable and non-dimmable versions, these lamps are ideal for track and open recessed fixtures in retail, hospitality and residential spaces.

Product data

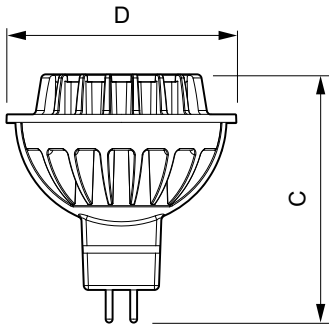
General Information		Luminous Flux In 90° Cone (Rated)	
Cap-Base	GU5.3 [GU5.3]		670 lm
Main Application	Industrial	Operating and Electrical	
Nominal Lifetime (Nom)	25000 h	Input Frequency	60 Hz
Switching Cycle	50000X	Power (Rated) (Nom)	8.5 W
Technical Type	8.5-50W	Lamp Current (Nom)	900 mA
Light Technical		Wattage Equivalent	50 W
Color Code	841 [CCT of 4100K (841)]	Starting Time (Nom)	0.5 s
Beam Angle (Nom)	25 °	Warm Up Time To 60% Light (Nom)	0.5 s
Light Distribution	25D [Medium beam]	Power Factor (Nom)	0.7
Initial lumen (Nom)	710 lm	Voltage (Nom)	12 V
Luminous Flux (Rated) (Nom)	710 lm	Temperature	
Luminous Intensity (Nom)	3350 cd	T-Case Maximum (Nom)	105 °C
Color Designation	White (WH)	Controls and Dimming	
Rated Beam Angle	25 °	Dimmable	Yes
Correlated Color Temperature (Nom)	4000 K	Approval and Application	
Luminous Efficacy (rated) (Nom)	84 lm/W	Energy star mark	Energy star
Color Consistency	<6	Energy Saving Product	Yes
Color Rendering Index (Nom)	80	Suitable For Accent Lighting	Yes
LLMF At End Of Nominal Lifetime (Nom)	70 %		

MR16/GU10/PAR16 LED

Energy Efficiency Label (EEL)	Not applicable
Energy Consumption kWh/1000 h	9 kWh
Product Data	
Order product name	8.5MRX16/F25 4000 DIM AF 10/1
EAN/UPC - Product	046677457525
Order code	457523

Numerator - Quantity Per Pack	1
Numerator - Packs per outer box	10
Material Nr. (12NC)	929001150004
Net Weight (Piece)	0.045 kg

Dimensional drawing



MR16 8W-50W 24D 4000K Gu5.3 D Dark Gray

Product	D	C
8.5MRX16/F25 4000 DIM AF 10/1	51 mm	55 mm

Photometric data

