



# MR16/GU10/PAR16 LED

## 8.5MRX16/LED/F25 2700 DIM AF 10/1

Philips MR16 Dimmable LED Lamps provide ambient level light to illuminate hard to maintain applications. Increased transformer compatibility allows for operation on a wider range of transformers. Available in dimmable and non-dimmable versions, these lamps are ideal for track and open recessed fixtures in retail, hospitality and residential spaces.

### Product data

General Information		Operating and Electrical	
Cap-Base	GU5.3 [ GU5.3]	Input Frequency	60 Hz
Nominal Lifetime (Nom)	25000 h	Power (Rated) (Nom)	8.5 W
Switching Cycle	50000X	Lamp Current (Nom)	900 mA
Technical Type	8.5-50W	Wattage Equivalent	50 W
		Starting Time (Nom)	0.5 s
		Warm Up Time To 60% Light (Nom)	0.5 s
		Power Factor (Nom)	0.7
		Voltage (Nom)	12 V
Light Technical		Temperature	
Color Code	827 [ CCT of 2700K]	T-Case Maximum (Nom)	105 °C
Beam Angle (Nom)	25 °		
Light Distribution	25D [ Medium beam]	Controls and Dimming	
Initial lumen (Nom)	635 lm	Dimmable	Yes
Luminous Flux (Rated) (Nom)	635 lm		
Luminous Intensity (Nom)	3100 cd	Approval and Application	
Color Designation	Warm White (WW)	Energy star mark	Energy star
Rated Beam Angle	25 °	Suitable For Accent Lighting	Yes
Correlated Color Temperature (Nom)	2700 K	Energy Efficiency Label (EEL)	Not applicable
Luminous Efficacy (rated) (Nom)	75 lm/W	Energy Consumption kWh/1000 h	9 kWh
Color Consistency	<6		
Color Rendering Index (Nom)	80		
LLMF At End Of Nominal Lifetime (Nom)	70 %		
Luminous Flux In 90° Cone (Rated)	621 lm		

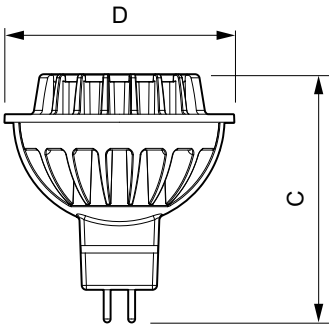
# MR16/GU10/PAR16 LED

## Product Data

Order product name	8.5MRX16/F25 2700 DIM AF 10/1
EAN/UPC - Product	046677457501
Order code	457507
Numerator - Quantity Per Pack	1

Numerator - Packs per outer box	10
Material Nr. (12NC)	929001149804
Net Weight (Piece)	0.045 kg

## Dimensional drawing



LED D 8-50W 827 MR16 24D

Product	D	C
8.5MRX16/F25 2700 DIM AF 10/1	51 mm	55 mm

## Photometric data

