



A-Shape LED

9.5A19/AMB/827-22/DIM 120V 6/1

Philips A-shape Dimmable LED lamps are the smart LED alternative to standard incandescents. The unique lamp design provides omi-directional light with excellent dimming performance.

Product data

General Information

Cap-Base	E26 [Single Contact Medium Screw]
Nominal Lifetime (Nom)	25000 h
Switching Cycle	50000X
Technical Type	9.5-60W

Light Technical

Color Code	822-827 [tunable warm white]
Initial lumen (Nom)	800 lm
Luminous Flux (Rated) (Nom)	800 lm
Color Designation	Warm Glow(WG)
Correlated Color Temperature (Nom)	2200-2700 K
Luminous Efficacy (Rated) (Nom)	84.21 lm/W
Color Consistency	ANSI
Color Rendering Index (Nom)	80
LLMF At End Of Nominal Lifetime (Nom)	70 %

Operating and Electrical

Input Frequency	60 Hz
Power (Rated) (Nom)	9.5 W
Lamp Current (Nom)	105 mA
Wattage Equivalent	60 W
Starting Time (Nom)	0.5 s

Warm Up Time to 60% Light (Nom)	0.5 s
Power Factor (Nom)	0.7
Voltage (Nom)	120 V

Temperature

T-Case Maximum (Nom)	95 °C
----------------------	-------

Controls and Dimming

Dimmable	Yes
----------	-----

Mechanical and Housing

Bulb Finish	Frosted (FR)
-------------	--------------

Approval and Application

Suitable For Accent Lighting	Yes
------------------------------	-----

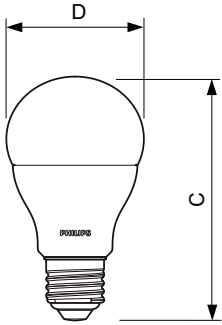
Product Data

Order product name	9.5A19/AMB/822-827 DIM 120V
EAN/UPC - Product	046677455828
Order code	455824
Numerator - Quantity Per Pack	1
Numerator - Packs per outer box	6
Material Nr. (12NC)	929001184004

A-Shape LED

Net Weight (Piece) 0.084 kg

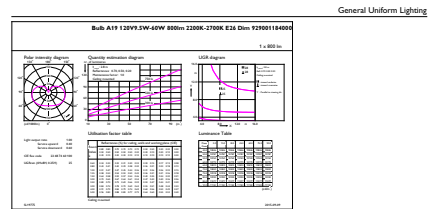
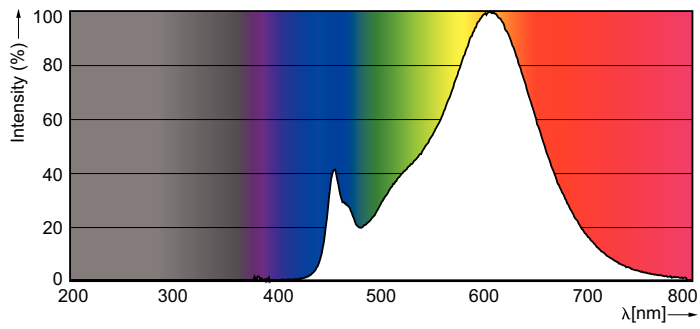
Dimensional drawing



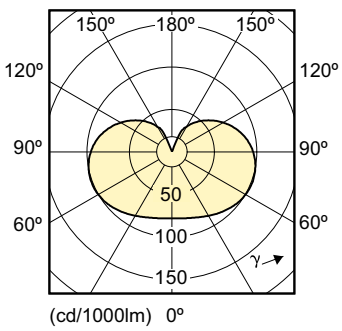
Bulb A19 120V 9.5W-60W 800lm 2700K E26 D

Product	D	C
9.5A19/AMB/822-827 DIM 120V	61.4 mm	109.8 mm

Photometric data



General Uniform Lighting
CelaLux Photometrics 4.3 Philips Lighting B.V. Page 1/1



A-Shape LED

