



PAR38 LED

13PAR38/F35 3000 DIM SO

Philips PAR38 LED Single Optic Lamps with AirFlux Technology improves shopping experience with superior lighting aesthetics and optimal thermal efficiency in a sleek, lightweight design.

Product data

General Information	
Cap-Base	E26 [Single Contact Medium Screw]
Bulb Shape	PAR38 [PAR 4.75 inch/121mm]
Nominal Lifetime (Nom)	25000 h
Switching Cycle	50000X
Technical Type	13-90W
Light Technical	
Color Code	830 [CCT of 3000K]
Beam Angle (Nom)	35 °
Initial lumen (Nom)	950 lm
Luminous Flux (Rated) (Nom)	950 lm
Luminous Intensity (Nom)	2650 cd
Color Designation	White (WH)
Rated Beam Angle	35 °
Correlated Color Temperature (Nom)	3000 K
Luminous Efficacy (rated) (Nom)	73 lm/W
Color Consistency	<6
Color Rendering Index (Nom)	80
LLMF At End Of Nominal Lifetime (Nom)	70 %
Operating and Electrical	
Input Frequency	60 Hz

Power (Rated) (Nom)	13 W
Lamp Current (Nom)	128 mA
Wattage Equivalent	90 W
Starting Time (Nom)	0.5 s
Warm Up Time To 60% Light (Nom)	0.5 s
Power Factor (Nom)	0.85
Voltage (Nom)	120 V
Temperature	
T-Case Maximum (Nom)	80 °C
Controls and Dimming	
Dimmable	Yes
Approval and Application	
Energy star mark	Energy star
Suitable For Accent Lighting	Yes
Energy Efficiency Label (EEL)	Not applicable
Product Data	
Order product name	120V PAR38 13W 35D 3000K 900 D SO
EAN/UPC - Product	046677454753
Order code	454751

PAR38 LED

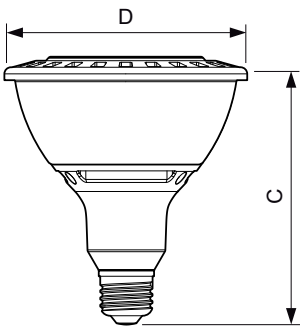
Numerator - Quantity Per Pack	1
Numerator - Packs per outer box	6
Material Nr. (12NC)	929001132204

Net Weight (Piece)	0.001 kg
--------------------	----------

Warnings and Safety

- Suitable for use in damp locations.
- Not for use in totally enclosed luminaires.
- CAUTION: Risk of electric shock - do not use where directly exposed to water.
- NOTES: This device complies with Part 18 of the FCC rule. This product may cause interference with other devices. If interference occurs, change the location of the products involved. This RFLD device complies with Canadian ICES-005

Dimensional drawing



PAR38 CL 120V 13W 35D 3000K E26 Dim

Product	D	C
120V PAR38 13W 35D 3000K 900 D SO	120 mm	131 mm

Photometric data

