



PAR38 LED

17PAR38/S15 3000 DIM AF SO 6/1

Philips PAR38 LED Single Optic Lamps with AirFlux Technology improves shopping experience with superior lighting aesthetics and optimal thermal efficiency in a sleek, lightweight design.

Product data

General Information		Power (Rated) (Nom)	
Cap-Base	E26 [Single Contact Medium Screw]		17 W
Bulb Shape	PAR38 [PAR 4.75 inch/121mm]	Lamp Current (Nom)	167 mA
Nominal Lifetime (Nom)	25000 h	Wattage Equivalent	100 W
Switching Cycle	50000X	Starting Time (Nom)	0.5 s
Technical Type	17-100W	Warm Up Time To 60% Light (Nom)	0.5 s
		Power Factor (Nom)	0.85
		Voltage (Nom)	120 V
Light Technical		Temperature	
Color Code	830 [CCT of 3000K]	T-Case Maximum (Nom)	89 °C
Beam Angle (Nom)	15 °		
Initial lumen (Nom)	1250 lm	Controls and Dimming	
Luminous Flux (Rated) (Nom)	1250 lm	Dimmable	Yes
Luminous Intensity (Nom)	10500 cd		
Color Designation	White (WH)	Approval and Application	
Rated Beam Angle	15 °	Energy star mark	Energy star
Correlated Color Temperature (Nom)	3000 K	Suitable For Accent Lighting	Yes
Luminous Efficacy (rated) (Nom)	74 lm/W	Energy Efficiency Label (EEL)	Not applicable
Color Consistency	<6		
Color Rendering Index (Nom)	80	Product Data	
LLMF At End Of Nominal Lifetime (Nom)	70 %	Order product name	120V PAR38 17W 15D 3000K 1200 D AF SO
		EAN/UPC - Product	046677435363
		Order code	435362
Operating and Electrical			
Input Frequency	60 Hz		

PAR38 LED

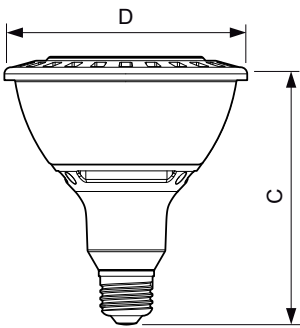
Numerator - Quantity Per Pack	1
Numerator - Packs per outer box	6
Material Nr. (12NC)	929001113204

Net Weight (Piece)	0.001 kg
--------------------	----------

Warnings and Safety

- Suitable for use in damp locations.
- Not for use in totally enclosed luminaires.
- CAUTION: Risk of electric shock - do not use where directly exposed to water.
- NOTES: This device complies with Part 18 of the FCC rule. This product may cause interference with other devices. If interference occurs, change the location of the products involved. This RFLD device complies with Canadian ICES-005

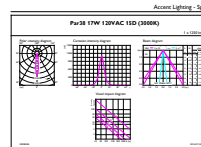
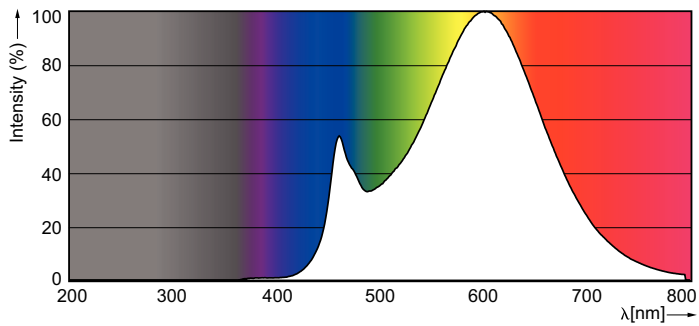
Dimensional drawing



Par38 CL 120V 17W-120W 15D 3000K E26 D

Product	D	C
120V PAR38 17W 15D 3000K 1200 D AF SO	120.3 mm	130.5 mm

Photometric data



Philips Lighting - Spec

