

**PHILIPS**

Lighting



# MASTERColor CDM-Rm Elite Mini

## MASTERColor CDM-Rm Elite Mini 35W/930 GX10 MR16 40D

The Elite family is at the very top of the MasterColor CDM range, and gives a unique combination of unbeatable light quality and consistent performance over lifetime, while keeping running costs low. The MasterColor DCM Elite MR16 combines the familiar compact shape of MR16 halogen lamps with the performance of ceramic metal halide MasterColor Elite lamps. Suited for accent/decorative lighting, general lighting and downlighting in retail applications; or for outdoor landscaping and architectural effects.

### Product data

#### General Information

Cap-Base	GX10 [ GX10]
Operating Position	Universal [ Universal]
Life to 5% Failures (Nom)	9000 h
Life to 10% Failures (Nom)	10000 h
Life to 20% Failures (Nom)	12000 h
Life to 50% Failures (Nom)	15000 h
ANSI Code HID	C130/O
Switching Cycle	1350X

#### Light Technical

Color Code	930 [ CCT of 3000K]
Beam Angle (Nom)	40 °
Beam Angle Technical (Nom)	42 °
Beam Angle Technical (Max)	50 °
Beam Angle Technical (Min)	34 °

Luminous Intensity (Min)	2700 cd
Luminous Intensity (Nom)	3600 cd
Beam Description	-
Lumen Maintenance 12000 h (Nom)	85 %
Lumen Maintenance 2000 h (Nom)	95 %
Lumen Maintenance 4000 h (Nom)	93 %
Chromaticity Coordinate X (Nom)	0.439
Chromaticity Coordinate Y (Nom)	0.403
Correlated Color Temperature (Nom)	3000 K
Luminous Efficacy (Rated) (Nom)	61 lm/W
Color Rendering Index (Min)	88
Color Rendering Index (Nom)	91
LLMF At End Of Nominal Lifetime (Nom)	80 %
Luminous Flux in 90° Cone (Rated)	2150 lm

# MASTERColor CDM-Rm Elite Mini

## Operating and Electrical

Power (Rated) (Nom)	39 W
Re-ignition Time (Min) (Max)	15 min
Warm Up Time to 60% Light (Nom)	120 s
Ignition Time (Max)	30 s
Voltage (Max)	95 V
Voltage (Min)	79 V
Voltage (Nom)	87 V

## Controls and Dimming

Dimmable	No
Run-Up Time 90% (Max)	3 min

## Mechanical and Housing

Bulb Finish	- [-]
-------------	-------

## Approval and Application

Energy Efficiency Label (EEL)	A
Mercury (Hg) Content (Nom)	4.7 mg
Energy Consumption kWh/1000 h	43 kWh

## UV

Pet (Niosh) (Min)	8 h/500lx
Damage Factor D/fc (Max)	0.4

## Luminaire Design Requirements

Reflector Neck Temperature (Max)	315 °C
----------------------------------	--------

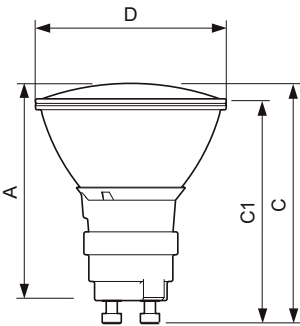
## Product Data

Order product name	MASTERColor CDM-Rm Elite Mini 35W/930 GX10 MR16 40D
EAN/UPC - Product	046677418953
Order code	418953
Numerator - Quantity Per Pack	1
Numerator - Packs per outer box	12
Material Nr. (12NC)	928194805315
Net Weight (Piece)	0.048 kg
ILCOS Code	MRS/UB-35/930-H-GX10-51/54.5/40

## Warnings and Safety

- R "WARNING: These lamps can cause serious skin burn and eye inflammation from short wave ultraviolet radiation if outer envelope of the lamp is broken or punctured. Do not use where people will remain for more than a few minutes unless adequate shielding or other safety precautions are used. Certain lamps that will automatically extinguish when the outer envelope is broken or punctured are commercially available." This lamp complies with FDA radiation performance standard 21 CFR subchapter J. (USA:21 CFR 1040.30 Canada: SOR/DORS/80-381)

## Dimensional drawing

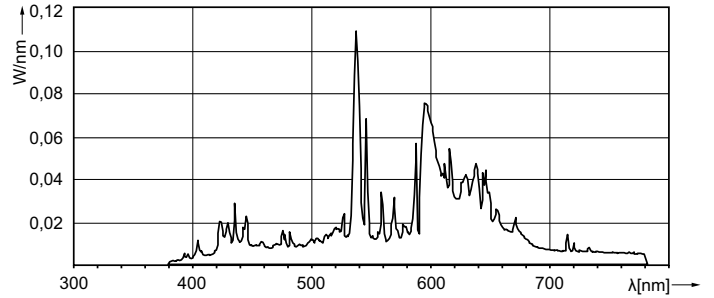
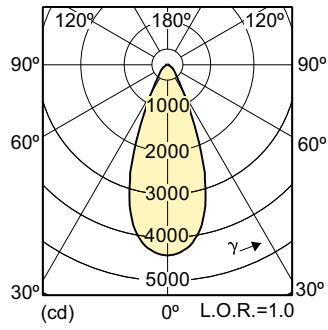


CDM-Rm 35W/930 GX10 MR16 40D

Product	D (max)	D	C (max)	C	C1 (max)	A (max)
MASTERColor CDM-Rm Elite Mini 35W/930 GX10 MR16 40D	51 mm	50 mm	65.4 mm	62.75 mm	60.9 mm	59 mm

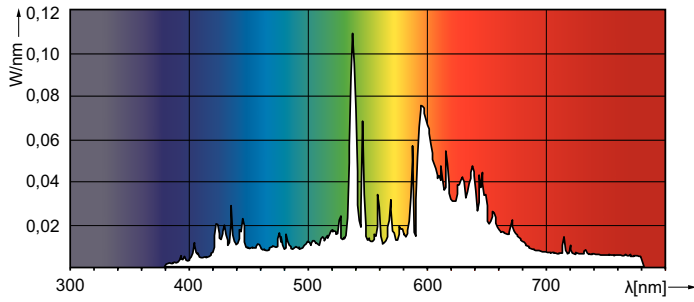
# MASTERColor CDM-Rm Elite Mini

## Photometric data



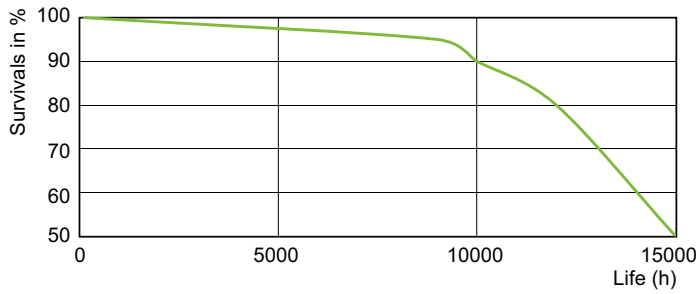
CDM-Rm 35W /930 40D

MASTERColour CDM-R Mini 35W /930

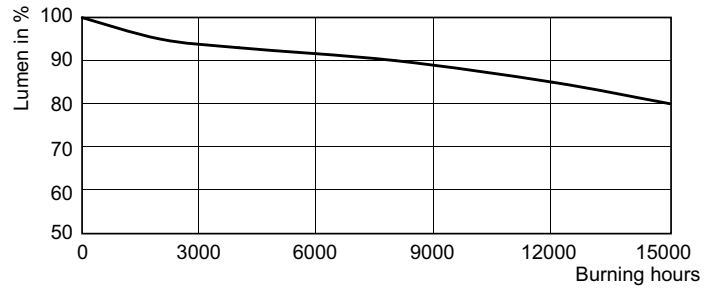


MASTERColour CDM-R Mini 35W /930

## Lifetime



CDM-Rm 35W Life Expectancy /930



CDM-Rm 35W Lumen Maintenance /930

## MASTERCOLOR CDM-Rm Elite Mini

