



PAR38 LED

120V PAR38 17W 35D 4000K 1200 D AF SO

Philips PAR38 LED Single Optic Lamps with AirFlux Technology improves shopping experience with superior lighting aesthetics and optimal thermal efficiency in a sleek, lightweight design.

Product data

General Information	
Cap-Base	E26 [Single Contact Medium Screw]
Bulb Shape	PAR38 [PAR 4.75 inch/121mm]
Nominal Lifetime (Nom)	25000 h
Switching Cycle	50000X
Technical Type	17-120W

Light Technical	
Color Code	840 [CCT of 4000K (841)]
Beam Angle (Nom)	35 °
Luminous Flux (Nom)	1300 lm
Luminous Flux (Rated) (Nom)	1300 lm
Luminous Intensity (Nom)	3600 cd
Color Designation	Cool White (CW)
Rated Beam Angle	35 °
Correlated Color Temperature (Nom)	4000 K
Luminous Efficacy (rated) (Nom)	77 lm/W
Color Consistency	<6
Color Rendering Index (Nom)	80
LLMF At End Of Nominal Lifetime (Nom)	70 %

Operating and Electrical	
Input Frequency	60 Hz

Power (Rated) (Nom)	17 W
Lamp Current (Nom)	167 mA
Wattage Equivalent	120 W
Starting Time (Nom)	0.5 s
Warm Up Time To 60% Light (Max)	0.5 s
Power Factor (Nom)	0.85
Voltage (Nom)	120 V

Temperature	
T-Case Maximum (Nom)	89 °C

Controls and Dimming	
Dimmable	Yes

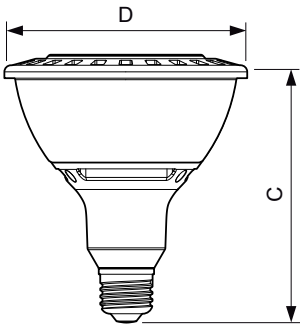
Approval and Application	
Suitable For Accent Lighting	Yes
Energy Efficiency Label (EEL)	Not applicable

Product Data	
Order product name	120V PAR38 17W 35D 4000K 1200 D AF SO
EAN/UPC - Product	046677435431
Order code	929001113904
Numerator - Quantity Per Pack	1

PAR38 LED

Numerator - Packs per outer box	6
Material Nr. (12NC)	929001113904
Net Weight (Piece)	0.001 kg

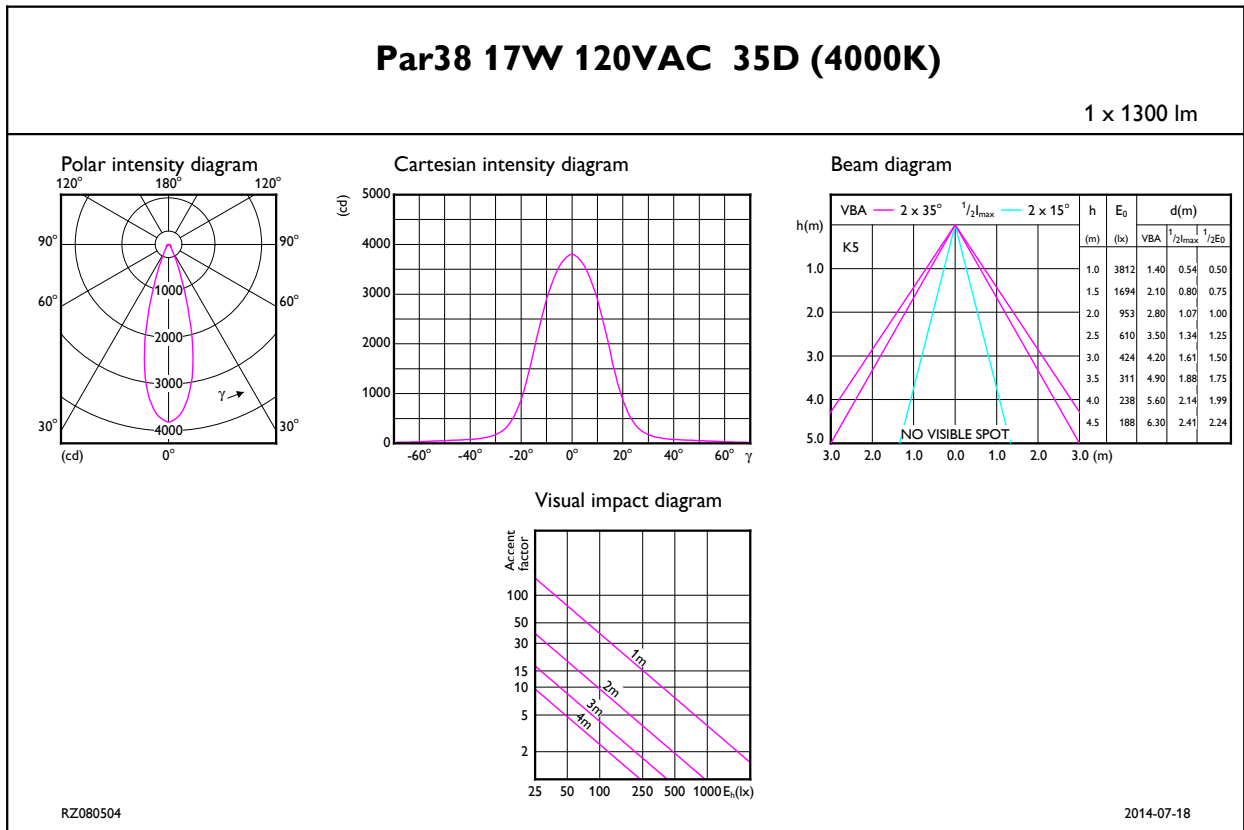
Dimensional drawing



Par38 120V 17W-120W 36D 4000K E26 D CL

Product	D	C
120V PAR38 17W 35D 4000K 1200 D AF SO	120.3 mm	130.5 mm

Accent Lighting - Spots



PAR38 LED

