



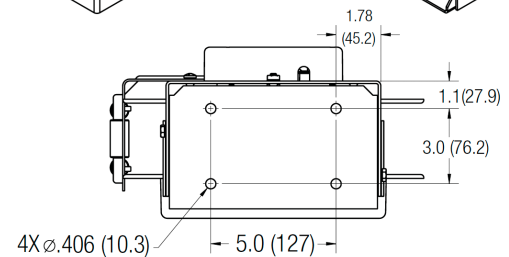
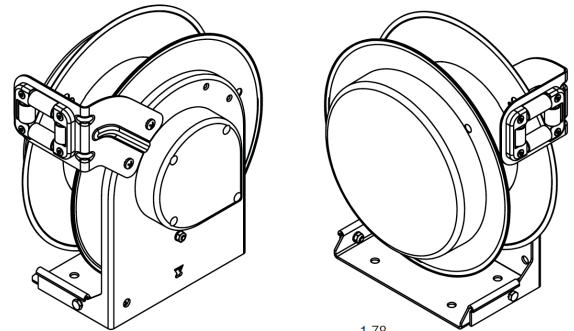
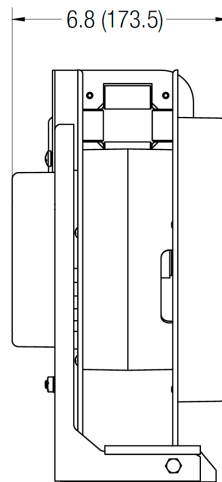
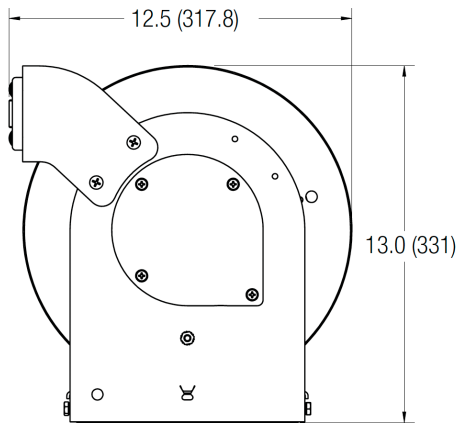
For maximum performance that moves with you

1000 Series

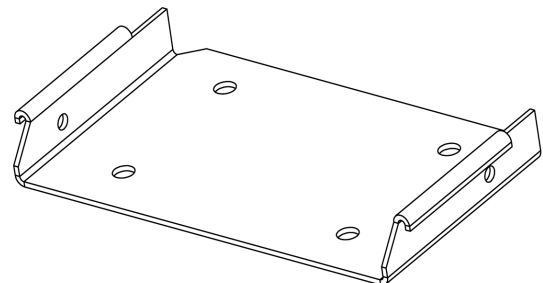
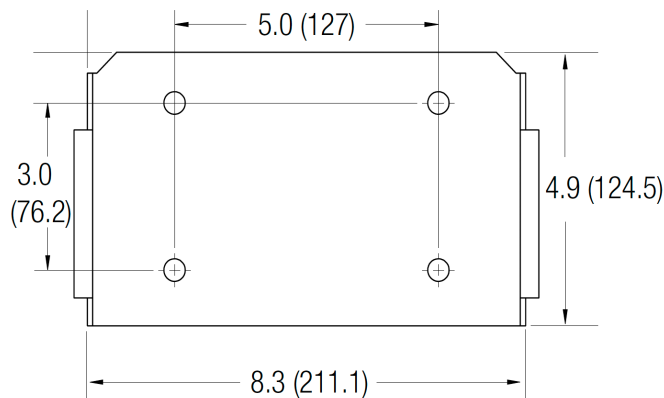
The 1000 Series Cable Reels for commercial and light industrial applications provide a reliable, versatile and economical way to provide remote power in environments such as warehouses and maintenance shops. Easy to install and made in the USA.

- Made in USA
- Black molded nylon construction with reinforced steel frame
- Rated for indoor use
- cULus Listed

Product Features



Base Plate Dimensions



Ordering Information


1000 Series Cable Reel

Legrand Part #	Mobile End	GFCI	Length	Cable	Amperage
CRCD163N25F10	Flying Lead	No	25	16AWG 3C	10
CRCD163N35F10	Flying Lead	No	35	16AWG 3C	10
CRCD163N50F10	Flying Lead	No	50	16AWG 3C	10
CRCD123N25F20	Flying Lead	No	25	12AWG 3C	20
CRCD123N35F20	Flying Lead	No	35	12AWG 3C	20
CRCD123N50F20	Flying Lead	No	50	12AWG 3C	20
CRCD163N25R10	Quad RB	No	25	16AWG 3C	10
CRCD163N35R10	Quad RB	No	35	16AWG 3C	10
CRCD163N50R10	Quad RB	No	50	16AWG 3C	10
CRCD123N25R15	Quad RB	No	25	12AWG 3C	15
CRCD123N35R15	Quad RB	No	35	12AWG 3C	15
CRCD123N50R15	Quad RB	No	50	12AWG 3C	15
CRCD123N25R20	Quad RB	No	25	12AWG 3C	20
CRCD123N35R20	Quad RB	No	35	12AWG 3C	20
CRCD123N50R20	Quad RB	No	50	12AWG 3C	20
CRCD163N25T10	Tri-Tap	No	25	16AWG 3C	10
CRCD163N35T10	Tri-Tap	No	35	16AWG 3C	10
CRCD163N50T10	Tri-Tap	No	50	16AWG 3C	10
CRCD123N25T15	Tri-Tap	No	25	12AWG 3C	15
CRCD123N35T15	Tri-Tap	No	35	12AWG 3C	15
CRCD123N50T15	Tri-Tap	No	50	12AWG 3C	15

Ordering Information

1000 Series Cable Reel

Legrand Part #	Mobile End	GFCI	Length	Cable	Amperage
CRCD123G25R15	Quad RB	Yes	25	12AWG 3C	15
CRCD123G35R15	Quad RB	Yes	35	12AWG 3C	15
CRCD123G50R15	Quad RB	Yes	50	12AWG 3C	15
CRCD123G25R20	Quad RB	Yes	25	12AWG 3C	20
CRCD123G35R20	Quad RB	Yes	35	12AWG 3C	20
CRCD123G50R20	Quad RB	Yes	50	12AWG 3C	20
CRCD123G25T15	Tri-Tap	Yes	25	12AWG 3C	15
CRCD123G35T15	Tri-Tap	Yes	35	12AWG 3C	15
CRCD123G50T15	Tri-Tap	Yes	50	12AWG 3C	15
CRCD123N50S15	Single Outlet	No	50	12AWG 3C	15
CRCD123N50S20	Single Outlet	No	50	12AWG 3C	20
CRCD123N50L15	Locking Single Outlet	No	50	12AWG 3C	15
CRCD123N50L20	Locking Single Outlet	No	50	12AWG 3C	20
CRCD123N35S15	Single Outlet	No	35	12AWG 3C	15
CRCD123N35S20	Single Outlet	No	35	12AWG 3C	20
CRCD123N35L15	Locking Single Outlet	No	35	12AWG 3C	15
CRCD123N35L20	Locking Single Outlet	No	35	12AWG 3C	20
CRCD123N25S15	Single Outlet	No	25	12AWG 3C	15
CRCD123N25S20	Single Outlet	No	25	12AWG 3C	20
CRCD123N25L15	Locking Single Outlet	No	25	12AWG 3C	15
CRCD123N25L20	Locking Single Outlet	No	25	12AWG 3C	20

 The paper used to print this document is an environmentally responsible paper with 10% post consumer waste, with FSC and SFI Chain of Custody certifications, Lacey Act compliant. 100% of the electricity used to manufacture Flo sheets is generated with Green-e certified renewable energy.

All brand and product names referenced in this document are registered trademarks or trademarks of their respective holders.



Legrand, North America
60 Woodlawn Street
West Hartford, CT 06110
1.877.BY.LEGRAND (295.3472)
www.legrand.us
905.738.9195
www.legrand.ca

