



**PASCO** manufactures these Drain Snake Specialties to the exacting standards of the professional plumbing industry. The products pictured on the following pages fit a variety of drain snake cables used in the plumbing trade.

## 1-1/4" Side Cutter Blade

For 5/16" and 3/8" Cables



**PART NUMBER**  
PS 125

## Boring Auger

For 5/16" and 3/8" Cables



**PART NUMBER**  
PS 4

## 1-1/2" U-Cutter

For 3/8" and 1/2" Cables



**PART NUMBER**  
PS 15

## Drop Head Boring Auger

For 5/16" and 3/8" Cables



**PART NUMBER**  
PS 5

## Cable Side Cutter Blades

For 1/2" - 5/8" - 3/4" Cables



PART NUMBER	SIZE
PS 2B	2"
PS 3B	3"
PS 4B	4"

## Drop Head Fitting

For 5/16" and 3/8" Cables



**PART NUMBER**  
PS 6

## Arrowhead Starting Drill

For 5/16" - 3/8" - 1/2" Cables



**PART NUMBER**  
PS 1

## Flexible Arrowhead

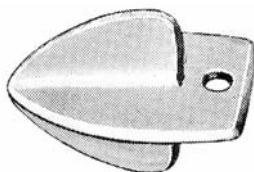
For 3/8" and 1/2" Cables



**PART NUMBER**  
PS 7

## Spearhead Starting Drill

For 5/8" and 3/4" Cables



**PART NUMBER**  
PS 3

## U-Cutters

For 5/8" and 3/4" Cables



PART NUMBER	SIZE
PS 20	2"
PS 30	3"
PS 40	4"



**PASCO** manufactures these Drain Snake Specialties to the exacting standards of the professional plumbing industry. The products pictured on the following pages fit a variety of drain snake cables used in the plumbing trade.

## 3" Rotary Saw Blades

For 1/2" - 5/8" - 3/4" Cables



**PART  
NUMBER**  
PS 38

## Small Cork Screw Retrieving Tool

For 3/8" and 1/2" Cables



**PART  
NUMBER**  
PS 10

## Cable Gripper



**PART  
NUMBER**  
PS 25

All **PASCO** Drain Snake Specialties are packaged in clear clam shells for easy identification.

## 5 Piece Cutter Set - 3/8" Cable

- Flexible Arrowhead
- Boring Gimlet
- Arrowhead
- 1-1/4" Side Cutter
- Down Head Boring Gimlet



**PART  
NUMBER**  
PS 5P

## 4 Piece Cutter Set - 3/8" Cable

- Arrowhead
- Boring Gimlet
- 1-1/2" U-Cutter
- 2" Side Cutter



**PART  
NUMBER**  
PS 4P

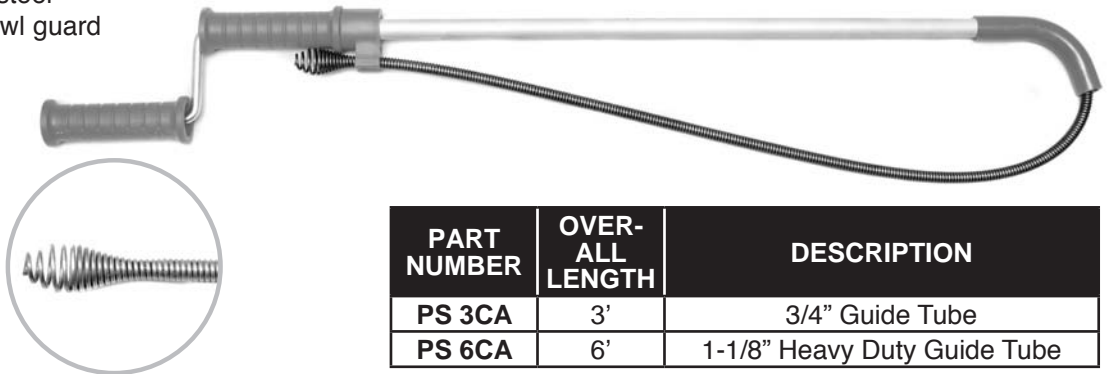


# Closet Augers

## Regular Head

- Professional plumber style
- Cable hold clip molded on handle
- Tempered spring steel
- Vinyl grips and bowl guard

6' model has telescoping cable feature: press button on shaft and pull cable out

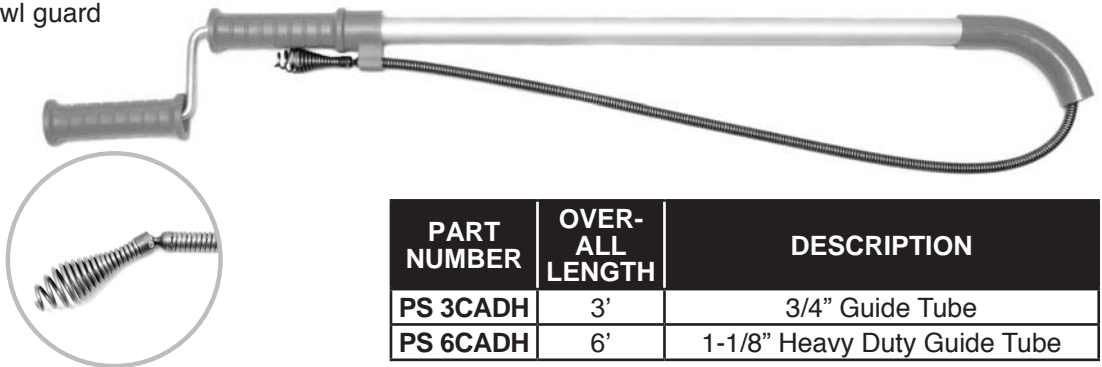


PART NUMBER	OVER-ALL LENGTH	DESCRIPTION
PS 3CA	3'	3/4" Guide Tube
PS 6CA	6'	1-1/8" Heavy Duty Guide Tube

## Drop Head

- Professional plumber style
- Cable hold clip molded on handle
- Tempered spring steel
- Vinyl grips and bowl guard

6' model has telescoping cable feature: press button on shaft and pull cable out



PART NUMBER	OVER-ALL LENGTH	DESCRIPTION
PS 3CADH	3'	3/4" Guide Tube
PS 6CADH	6'	1-1/8" Heavy Duty Guide Tube

## Ugly Glove

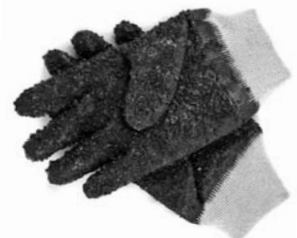
- Preferred by Plumbers
- PVC/NBR blend coating with PVC chips for non slip
  - Chemical Resistant
  - Mid-forearm length



PART NUMBER	PACK QTY
GL4112	6

## Ugly Glove

- Preferred by Plumbers
- PVC/NBR blend coating with PVC chips for non slip
  - Chemical Resistant
  - Cuffed wrist



PART NUMBER	PACK QTY
GL4100	6

# Fits Flexible Plumbertool

Original Manufacturer • Made in U.S.A.

## Side Grease Cutters

For 3/8" Snake



\*with adapter

PART NUMBER	SIZE
PTF21	1"
PTF22	1-1/8"
PTF23	1-3/8"
PTF24	1-5/8"
PTF25	1-3/4"
PGTF42*	2"

## Drop Head

For 3/8" Snake and 1/2" Cable



PART NUMBER	DESC.
MGSD1	Small
MGSD2	Heavy Duty

## Serrated Cutter

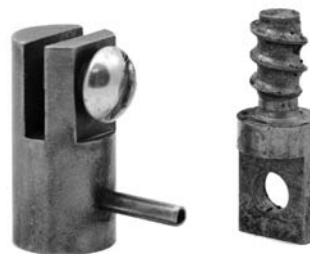
For 3/8" Snake and 1/2" Cable



\*fits General

PART NUMBER	SIZE
SPT3	3"
SPT3G*	3"
SPT4	4"

## Couplings & Connectors



PART NUMBER	DESC.
PGTF20G	1/2" Female Connector
PGTF28	1/2" Male End Coupling
PGTF29	1/2" Female Coupling
MGSC38	3/8" Female End Coupling
MGSC516	5/16" End Connector

## Blade-Tool Adapter

Standard  
For 3/8" Snake and 1/2" Cable



\*fits General

PART NUMBER
MGSMBF
MGSMBFG*

## 10" Retriever

For 5/8" and 3/4" Cables



PART NUMBER
PGTF67



# Fits Flexible Plumbertool

Original Manufacturer • Made in U.S.A.

## Arrowhead

For 3/8" Snake



PART NUMBER
MGSS1

## Bore Cutter

For 5/8" and 3/4" Cables



PART NUMBER	SIZE
PGTF14	2"
PGTF15	3"

## Star Point Borer

For 3/8" Snake and 1/2" Cable



\*with adapter

PART NUMBER
SPB1
PGTF35*

## Four Piece Tool Set - 3/8" Snake

For 3/8" Snake

- Arrowhead
- Star Point Borer
- Standard Tool Adapter
- 1-3/8" Grease Cutter

PART NUMBER
MGS4S31



## Knife Cutter

For 5/8" and 3/4" Cables



PART NUMBER	SIZE
PGTF173	3"
PGTF174	4"

## Five Piece Tool Set - 3/8" Snake

For 3/8" Snake

- Small Drop Head
- Arrowhead
- Standard Tool Adapter
- 1" Grease Cutter
- 1-3/8" Grease Cutter

PART NUMBER
MGSS20



## Saw or Scraper

For 3/8" Snake and 1/2" Cable



PART NUMBER	DESC.
MGDS1	Saw
MGDSS1	Scraper



# Fits Gorlitz Sewer & Drain

Original Manufacturer • Made in U.S.A.

## Cable End Fitting

For Blade Attachment



PART NUMBER	SIZE
E01	3/8" Cable
E03	1/2" Cable
E04	11/16" Cable

## Cable Connector

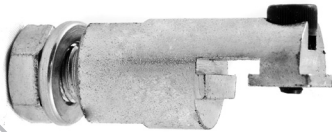
Slip Joint Style  
For 5/8" thru 3/4" Cables



PART NUMBER	SIZE
E05	5/8" Cable
E06	11/16" Cable

## Regular Chuck

For Blades K06 thru K14



\*Allen Screw Only

PART NUMBER
E08
F515*

## Finger Leader

Flexible Leader Guides  
3/8" and 1/2" Cables thru Bends



PART NUMBER
E10

## Full Circle Knife Blades

For 5/8" - 11/16" - 3/4" Cables



PART NUMBER	SIZE
K03	1-1/2" Plain
K03A	1-1/2" Plain-Thin
K04	2" Plain
K07	2" Coined
K10	2-1/2" Teeth
K11	3" Teeth

## Pear Shape Knife Blades

For 5/8" - 11/16" - 3/4" Cables



PART NUMBER	SIZE
K05	3" Plain
K08	3" Coined
K08A	4" Plain
K13	2" Teeth
K14	3" Teeth
K14A	4" Teeth

## Half Circle Knife Blades

For 3/8" - 1/2" - 3/4" Cables



\*3/4" Cable

PART NUMBER	SIZE
K01	1-1/2" Plain
K02	2" Plain
K06	2" Coined*

## Heavy Duty Pear Shape Knife Blades

For 5/8" - 11/16" - 3/4" Cables  
1" Wide Blades



PART NUMBER	SIZE
K15	3" Teeth
K16	4" Teeth

## U Shape Knife Blades

For 5/8" - 11/16" - 3/4" Cables



PART NUMBER	SIZE
K12	4" Teeth



# Fits Gorlitz Sewer & Drain

Original Manufacturer • Made in U.S.A.

## Grease Knife Blade

For 5/8" - 11/16" - 3/4" Cables



PART NUMBER	SIZE
K18	4"

## Heavy Duty Cone Chuck

For 4" Diameter Sewer Lines  
Accepts 3 Blades



PART NUMBER	DESCRIPTION
E09A	Chuck Only
K23	3" Single Knife-Teeth
K19	4" Single Knife-Teeth
K21	4" Single Knife-Coined

## Cable Repair Splices

Repair 3/8" to 3/4" Cables



PART NUMBER	SIZE
S01	3/8"
S03	1/2"
S04	5/8"
S05	11/16"
S06	3/4"

## Blade Holders

For 3/4" Wide Blades  
Use to clean drain lines above 3"



\*Fits Spartan

PART NUMBER	SIZE
E60	For Blades K06-K14
E61	For Blades K09-K12
E59*	Hex Chuck Blade Holder

## Replaceable Downhead

For 3/8" to 1/2" Cables



PART NUMBER	SIZE
DHR04	3/8"
DHR05	1/2"

## Spearhead

PART NUMBER	USE CONNECTOR
E22	E05 - 5/8"
	E06 - 11/16"
	E08 - Chuck
E69	E53 - 5/8"
	E54 - 11/16"
	E55 - 3/4"

## 11 Piece Toolset for Gorlitz 3/8" Cable

- One each Blades K1 thru K5
- 2 - E01 Ends
- 2 - S01 Splices
- DHR04 Drop Head



PART NUMBER
GKIT38

## 11 Piece Toolset for Gorlitz 1/2" Cable

- One each Blades K1 thru K5
- 2 - E03 Ends
- 2 - S03 Splices
- DHR05 Drop Head



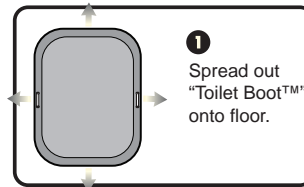
PART NUMBER
GKIT12



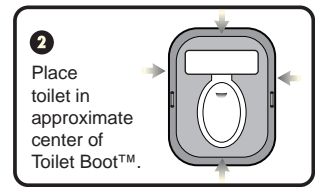
## Toilet Boot - Protects Bathroom Floors

An absolute must for hassle free toilet moving or removal. Protect all bathroom floors from bowl wax or scratching.

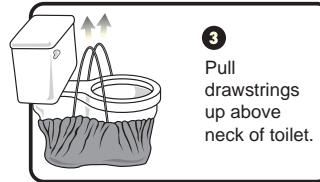
Packaged for hang up display.



**1**  
Spread out  
"Toilet Boot™"  
onto floor.



**2**  
Place  
toilet in  
approximate  
center of  
Toilet Boot™.



**3**  
Pull  
drawstrings  
up above  
neck of toilet.



**4**  
Tie drawstrings.  
Toilet is now  
ready to be  
moved.

PART NUMBER	CASE QTY
1080	12

## Hand Pumps

Use to drain or transfer water  
Large volume of water drawn with each pull of the handle



Mini pump ideal for draining traps or curved pipe

PART NUMBER	HOSE LENGTH
136PF6	6 ft.
12A	3 ft.