



PASCO Specialty & Mfg., Inc.

11156 Wright Road
Lynwood, CA 90262
Phone (310) 537-7782
Fax (800) 737-2726

7529 Perryman Court
Curtis Bay, MD 21226
Phone (410) 360-5010
Fax (877) 377-6466

www.pascospecialty.com

TECHNICAL SPECIFICATION SUBMITTAL

Adjustable cast iron shower drain for use in ceramic tile shower stalls.

Job Name _____ Date _____

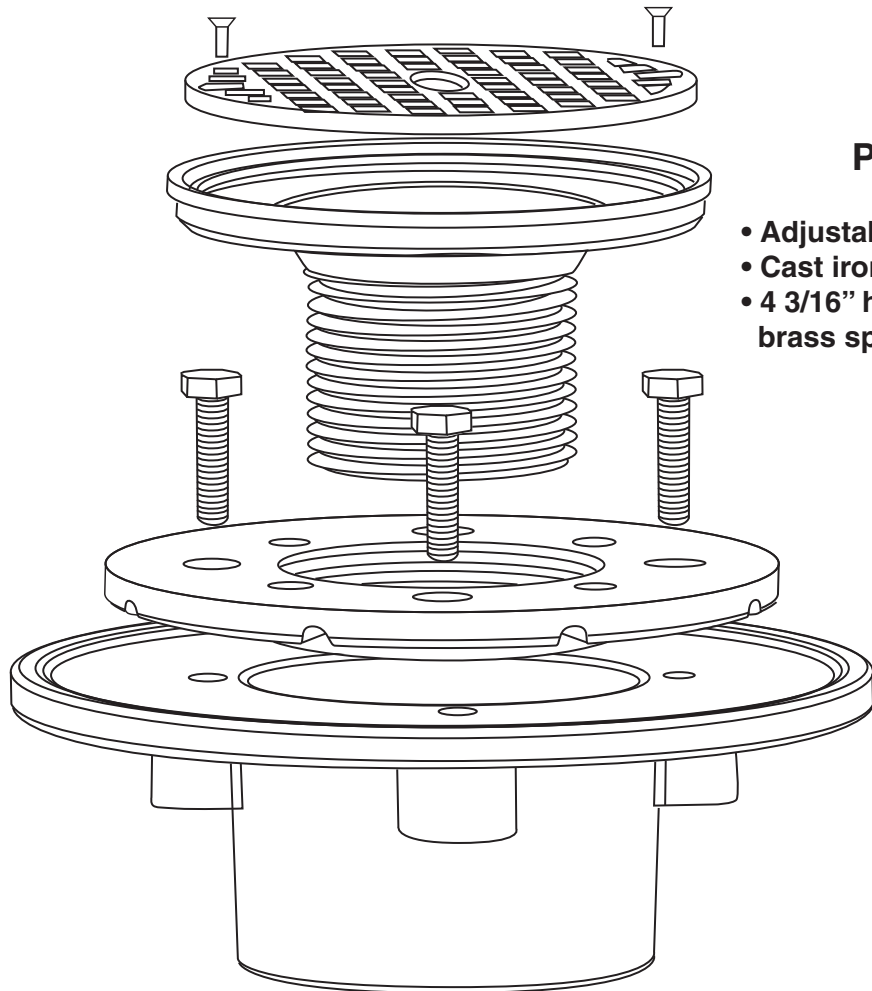
Model Specified _____ Quantity _____

Customer/Wholesaler _____

Contractor _____

Architect/Engineer _____

Engineering Specification: Adjustable strainer cast iron body shower drain & clamping ring for use with vinyl shower pan liner in ceramic tile shower stall installations.



PASCO Shower Drain

- Adjustable strainer
- Cast iron body and clamping ring
- 4 3/16" heavy chrome plated brass strainer with brass spud

PART NUMBER	DESCRIPTION	DRAIN PIPE CONNECTION	MATERIAL
60201	SHOWER DRAIN	2" INSIDE CAULK	CAST IRON
60203		2" IPS	
60205		2" NO-HUB	