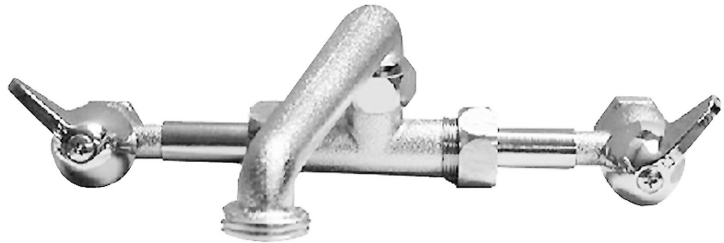




SINK OR LAUNDRY TRAY FAUCET 7-1/2" TO 8-1/2" ADJUSTMENT

This popular utility faucet can now be wall mounted or deck mounted.



PASCO re-introduces this popular utility faucet which was discontinued by Price Pfister. Replaces Price Pfister Beverly laundry tray faucet 7" to 9-1/2" wall adjustment
 Chrome plated brass
 5-1/2" male hose thread spout
 Inlet bodies screw directly onto 1/2" IPS inlet nipples
 Easily adapts to a wide variety of installations

Remove hot side inlet and rotate 90° to change faucet to a deck mount.

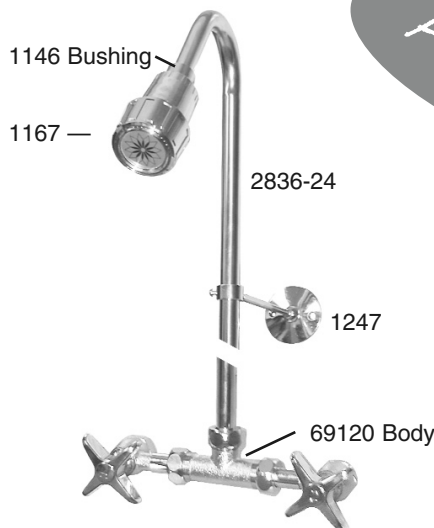


Replacement Stem 21-392
 Handle 21-210C 21-220H

**PART
 NUMBER**
69120

DECK - PATIO - POOL - CAMPGROUND EXPOSED SHOWER

Economical, yet ruggedly constructed for outdoor installations.
 Wall mount
 Chrome Plated Brass
 7" to 9-1/2" wall adjustment
 Adjustable low flow showerhead
 6" Adjustable Wall Bracket
 Cross Handles
 24" Riser
 1/2" IPS Female Inlets



ALL NEW!

Replacement Stem 21-392

**PART
 NUMBER**
67252

COMMERCIAL FAUCETS



**INSTITUTIONAL QUALITY - SPECIFICATION GRADE
CONTEMPORARY DESIGN -
INDIVIDUALLY PRESSURE TESTED**

HEAVY DUTY - WALL MOUNT - 8" CENTERS



330 Series Stem

33029 - Handle

Use Swing or
Goose Spout

Chrome plated brass - 1/2" FPT Inlets
Twin Seal chrome plated brass tubular swing spout
55/64" Female water saver aerator
Color coded handles
Full flow with a quarter turn of the handle

PART NUMBER	SPOUT LENGTH	ADJUSTS
33006	6"	7-1/2" to 8-1/2"
33008	8"	
33010	10"	
33012	12"	
33014	14"	
33015	16"	

WITH FEMALE INLETS W/ STOPS		
33206	6"	4-1/2" to 12-1/2"
33208	8"	
33210	10"	
33212	12"	
33214	14"	

MEDIUM DUTY - WALL MOUNT - 8" CENTERS



333 Series Stems

33029 - Handle

Use Swing or Goose Spout

Chrome plated brass- 1/2" FPT inlets
Twin Seal chrome plated brass tubular swing spout
55/64" Female water saver aerator
Color coded handles

PART NUMBER	SPOUT LENGTH	ADJUSTS
33306	6"	7-1/2" to 8-1/2"
33308	8"	
33310	10"	
33312	12"	
33314	14"	

FEMALE SUPPLY INLET COUPLINGS



Chrome plated brass - 1/2" FPT inlets
33350 and 33352 fit heavy duty wall mount faucets
33351 fits moderate duty wall mount faucets

PART NUMBER	FITS	ADJUSTS
33350	Heavy Duty	7-1/2" to 8-1/2"
33351	Medium Duty	7-1/2" to 8-1/2"
33352	Heavy Duty	4-1/2" to 12-1/2" with stops



Highest Quality - Durable - Reliable - Economical

HEAVY DUTY - DECK MOUNT - 4" CENTERS

Chrome plated brass - 1/2" FPT inlets
Satin finished brass water ways
55/64" Female water saver aerator
Twin Seal chrome plated brass tubular swing spout



330 Series Stems
33029 - Handle
Use Swing or Goose Spout

PART NUMBER	SPOUT LENGTH
33105	6"
33106	12"
33105-G	6" Gooseneck

MEDIUM DUTY - DECK MOUNT - 4" CENTERS - SINK OR LAUNDRY TRAY

Same features as above model but a lighter pattern style and plain brass water ways. Supplied with hose thread adapter



331 Series Stems
33160 - Set of Handles

PART NUMBER	SPOUT LENGTH
33151	6" Gooseneck
33152	6"
33153	8"
33154	10"
33155	12"
33156	14"

MEDIUM DUTY - WALL MOUNT - 4" CENTERS

Same features as above models but a lighter pattern style and plain brass water ways



330 Series Stems
33160 - Set of Handles

PART NUMBER	SPOUT LENGTH
33161	6" Gooseneck
33162	6"
33163	8"
33164	10"
33165	12"
33166	14"

COMMERCIAL FAUCETS



SPECIAL DUTY COMMERCIAL FAUCETS
 Highest Quality - Durable - Reliable - Economical

SERVICE SINK FAUCET - 8" CENTERS - 8" SPOUT



33110-B Wall Bracket only

330 Series Stem
 33029 - Handle

Built in screwdriver stops
 Integral check stems
 1/2" FPT inlets
 Satin chrome plated brass
 3/4" Male hose thread on spout
 Chrome plated brass hinged wall support
 7-1/2" to 8-1/2" Wall centers

33101 - Brass Slide for Vacuum Breaker
 33103 - Plastic Insert for Vacuum Breaker

PART NUMBER
33110

SERVICE SINK FAUCET -8" CENTERS - 2-1/2" SPOUT



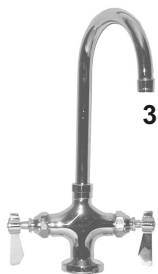
330 Series Stem
 33029 - Handle

Same features as above model, with the exception of no hinged wall support.

PART NUMBER
33109

DECK MOUNT PANTRY FAUCETS

DUAL OR SINGLE HANDLE



33111



33113



33115



33117

1/2" FPT inlets
 Chrome plated brass
 1/4" tailpieces on dual handle model
 Cold handle only on single lever, 1/2" FPT inlet
 55"/64" Female water saver aerator
 10" Twin Seal chrome plated brass tubular swing gooseneck spout
 10" Twin Seal chrome plated brass tubular spout on low profile models

330 Series Stem
 33029 - Handle
 Use Swing or Gooseneck Spout

PART NUMBER	STEM
33111	HOT & COLD
33113	COLD ONLY
*33115	HOT & COLD
*33117	COLD ONLY

* Low profile



SPECIAL DUTY COMMERCIAL FAUCETS
 Highest Quality - Durable - Reliable - Economical

WALL MOUNT FAUCET - 8" CENTERS
WITH 10" SWING GOOSENECK SPOUT



330 Series Stem
 33104 - Handle
 Gooseneck or
 Swing Spout

Comes with blade style handles
 1/2" FPT inlets
 Chrome plated brass
 55"/64" Female water saver aerator
 10" Twin Seal chrome plated brass
 tubular swing gooseneck spout

PART NUMBER	ADJUSTS
33190	7-1/2" to 8-1/2"
33194	4-1/2" to 12-1/2" with stops

DECK MOUNT FAUCET - 4" CENTERS
HEAVY DUTY



330 Series Stem
 33029 - Handle
 Gooseneck or
 Swing Spout

1/2" FPT inlets
 Chrome plated brass
 55"/64" Female water saver aerator
 Twin Seal chrome plated brass
 tubular swing spout

PART NUMBER	SPOUT LENGTH
33107	6"
33108	12"



COMMERCIAL FAUCET REPLACEMENT PARTS

HEAVY DUTY SWING SPOUT

Twin Seal - Tubular - Chrome plated brass
55"/64" Female water saver aerator



PART NUMBER	LENGTH
33806	6"
33808	8"
33810	10"
33812	12"
33814	14"
33816	16"
33818	18"

HEAVY DUTY GOOSENECK SPOUT

Twin Seal - Tubular - Chrome plated brass
55"/64" Female water saver aerator



PART NUMBER	HEIGHT
33831	6"
33832	9"
33833	12"

18" HEAVY DUTY DOUBLE SWING SPOUT

Twin Seal - Tubular - Chrome plated brass
55"/64" Female water saver aerator



PART NUMBER
33850

REPLACEMENT STEMS



330 Series

331 Series

333 Series

PART NUMBER	Fits Faucet Series	Type
*33027	330	Cold
*33028	330	Hot
33158	331	Cold
33159	331	Hot
33320	333	Cold
33321	333	Hot

*Fits T&S

REPLACEMENT HANDLES

20 Spline - Cold or Hot, Sold by the each



PART NUMBER
33029

Sold Individually

BLADE STYLE HANDLES

20 Spline - Cold or Hot, Sold by the each,
4-1/2" Length



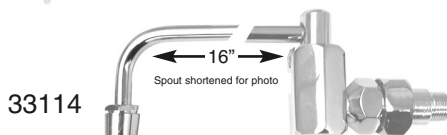
PART NUMBER
33104

Sold Individually

HEAVY DUTY SINGLE HANDLE WALL MOUNT FAUCET-WOK FILLER



33112



33114

Spout shortened for photo

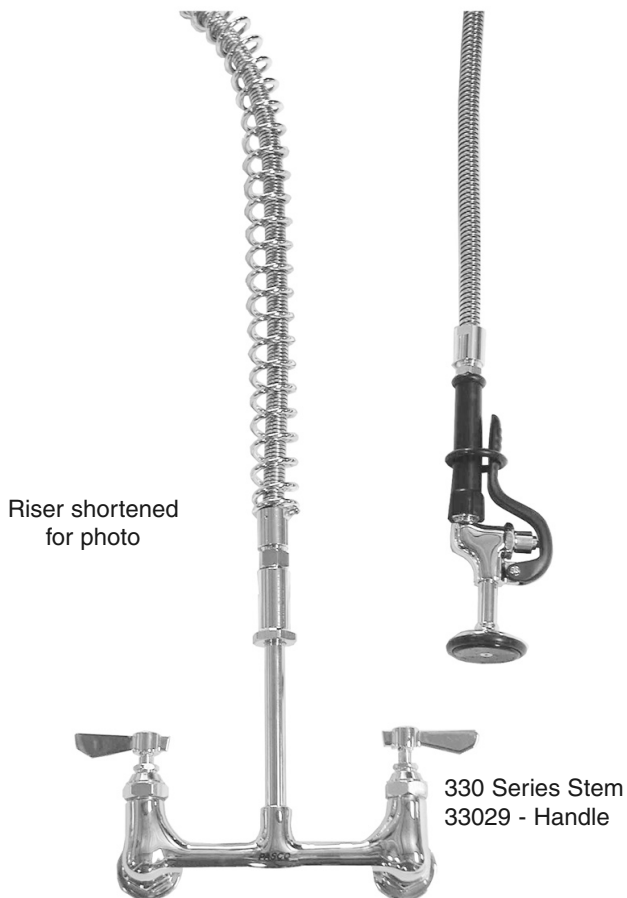
Swing style
Pot filler
Cold water only
Chrome plated brass
Twin Seal tubular spout
1/2" MPT inlet

PART NUMBER	LENGTH
33112	18"
33114	16"



COMMERCIAL PRE-RINSE ASSEMBLIES
 Chrome Plated Brass - Built For Rugged Use.

WALL MOUNT - 8" CENTERS

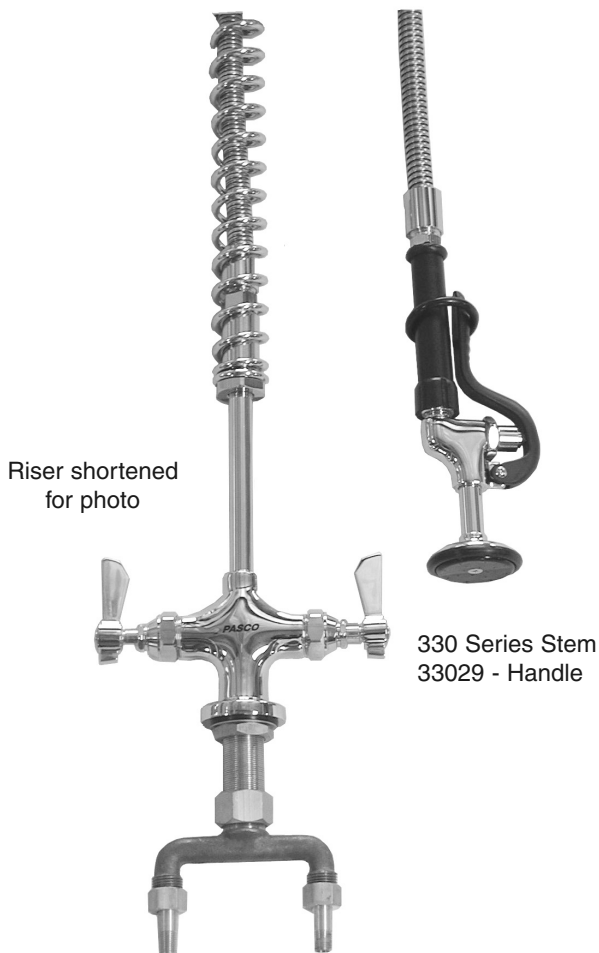


Available with either standard 7-1/2" to 8-1/2" adjustable female supply inlet couplings or, with 4-1/2" to 12-1/2" female supply inlet couplings with stops.

- 1/2" FPT inlets
- 3/8" IPS X 24" Chrome plated brass riser
- 38" Stainless steel hose
- 12" Wall bracket
- Food service grade
- Uses 33614 Pre-Rinse Faucet

PART NUMBER	ADJUSTS
33013	7-1/2" to 8-1/2"
33016	4-1/2" to 12-1/2" with stops

DECK MOUNT



Fits decks up to 1-1/4" thick
 1/2" MIP inlets with
 1/4" IPS tailpiece nipples
 3/8" IPS X 24" Chrome plated brass riser
 38" Stainless steel hose
 12" Wall bracket
 Food service grade
 Uses 33614 Pre-Rinse Faucet

PART NUMBER
33612



COMMERCIAL PRE-RINSE ASSEMBLIES
Chrome Plated Brass - Built For Rugged Use

SINGLE HANDLE DECK MOUNT

Specify cold or hot handle



Riser shortened for photo

330 Series Stem
33029 - Handle

Fits decks up to 1-1/4" thick
1/2" IPS inlet with 1/4" IPS tailpiece nipple
3/8" IPS X 24" Chrome plated brass riser
38" Stainless steel hose
12" Wall bracket
Food service grade
Uses 33614 Pre-Rinse Faucet

PART NUMBER	DESCRIPTION
33100	Cold or Hot

DECK MOUNT - 8" CENTERS



Riser shortened for photo

330 Series Stem
33029 - Handle

1/2" FPT inlets
3/8" IPS X 24" Chrome plated brass riser
38" Stainless steel hose
12" Wall bracket
Food service grade
Uses 33614 Pre-Rinse Faucet

PART NUMBER	DESCRIPTION
33003	8" Centers
33004	4" Centers



PRE - RINSE SPRAY ASSEMBLY PARTS

PRE - RINSE ADD ON FAUCET



Connects to 3/8" pre-rinse riser
 Chrome plated brass
 3/8" X 2-3/4" MIP inlet
 Fits all manufacturers

PART NUMBER	SPOUT LENGTH
33614	6"
33614-8	8"
33614-10	10"
33614-12	12"

PRE - RINSE SPRAY CARTRIDGE
 CHROME PLATED BRASS



PART NUMBER
33019
 REPLACES T & S

PRE-RINSE SPRING - RISER
 NIPPLE AND SPRING COUPLING



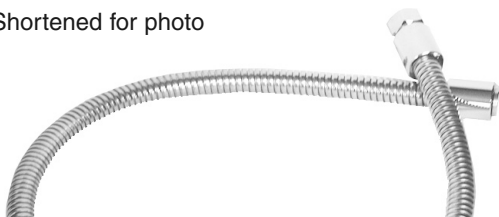
Spring shortened for photo

PART NUMBER	DESCRIPTION
33022	L-Spring, 1-1/2" diameter
33023	Spring coupling Chrome plated brass 3/8" coarse thread X 3/8" FIP
33024	3" length 3/8" X 24" CP riser nipple*

*NOT PICTURED

PRE-RINSE HOSES

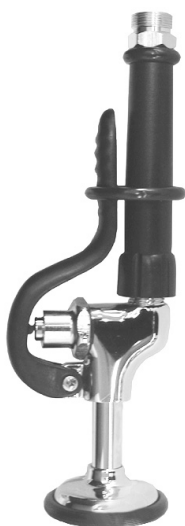
Shortened for photo



Flexible stainless steel
 Food grade inner hose
 withstands continuous
 working temperature

PART NUMBER	LENGTH
33044	38"
33060	54"
33072	66"

PRE - RINSE SPRAY



Chrome plated brass
 High impact plastic handle
 Connects directly to hose
 High pressure wash
 Positive shut off
 Stay ring included

PART NUMBER	DESCRIPTION
33018	Complete unit
33020	Bumper ring only
33021	Spray face only
33030	Insulated Brass Handle

REPLACES T & S

PRE - RINSE WALL BRACKET
 AND RISER HOOK

Chrome plated brass

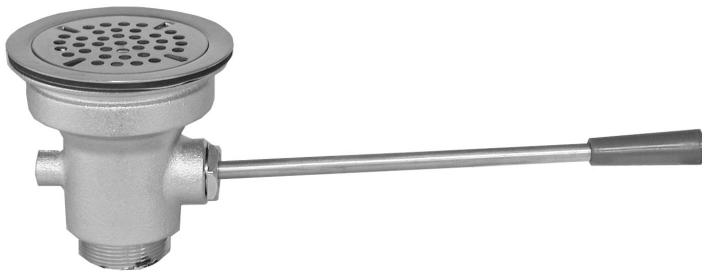


PART NUMBER	DESCRIPTION
33025	12" Wall bracket fits 3/8" riser
33026	3/8" Riser hook



LEVER AND TWIST COMMERCIAL SINK DRAIN

Nickel plated brass body, Stainless steel handle, Stainless steel strainer, Nickel plated brass stopper, Replaces Franklin, Klein, Chicago Faucet, T&S



LEVER HANDLE DRAIN WITHOUT OVERFLOW

PART NUMBER	SINK OPENING	DRAIN CONNECTION
33122	3-1/2"	1-1/2"
33123	3-1/2"	2"



LEVER HANDLE DRAIN WITH 1-1/4" OVERFLOW OUTLET

PART NUMBER	SINK OPENING	DRAIN CONNECTION
33131	3-1/2"	1-1/2"
33125	3-1/2"	2"



TWIST LEVER HANDLE DRAIN WITHOUT OVERFLOW

PART NUMBER	SINK OPENING	DRAIN CONNECTION
33126	3-1/2"	1-1/2"
33127	3-1/2"	2"



TWIST LEVER HANDLE DRAIN WITH 1-1/4" OVERFLOW OUTLET

PART NUMBER	SINK OPENING	DRAIN CONNECTION
33145	3-1/2"	1-1/2"
33146	3-1/2"	2"

The above drains fit a 3-1/2" sink opening and utilize a 4-1/2" strainer flange.

COMMERCIAL FAUCETS



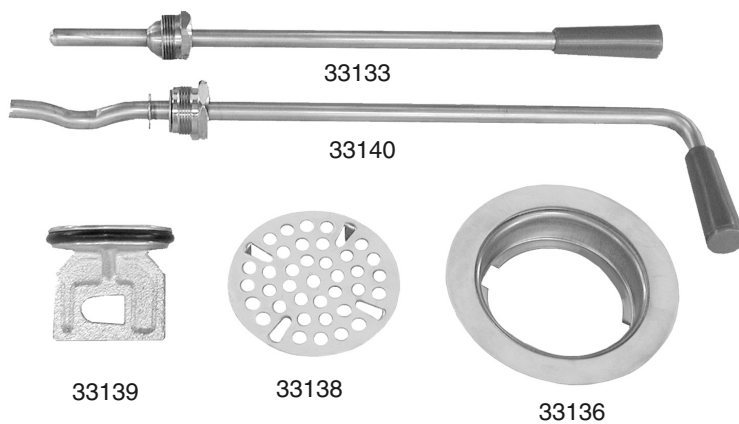
COMBO LEVER AND TWIST COMMERCIAL SINK DRAIN FOR 3" SINK OPENINGS.



Supplied with tailpiece for either 2" or 1-1/2" drain outlet
 Supplied with an overflow outlet
 A blind cap is also supplied if overflow is not used

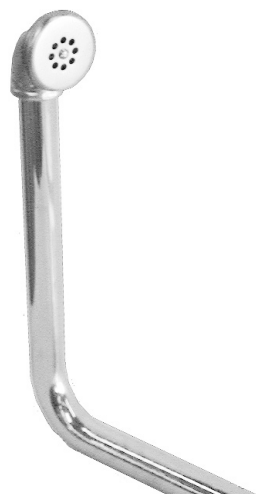
PART NUMBER	SINK OPENING	HANDLE
33120	3"	Lever
33124	3"	Twist

Handles and strainer are stainless steel. Drain body and stopper are nickel plated brass



PART NUMBER	DESCRIPTION
33133	Lever Handle
33136	3-1/2" Strainer Flange
33138	3-1/2" Strainer
33139	Stopper with O-Ring
33140	Twist Handle
33143	2" X 1-1/2" Slip Joint Drain Reducer Bushing not pictured
33150	Repair Kit for all Drains listed

COMMERCIAL SINK OVERFLOW



Chrome plated brass
 1-1/4" x 14" x 18" Tube
 1-1/4" Satin chrome plated elbow
 Stainless steel overflow strainer & screw

PART NUMBER	DESCRIPTION
33141	Strainer with 1-1/4" ELL
33142	1-1/4" X 14" X 18" brass overflow elbow for slip joint connection
33144	Strainer Only
33147	Complete unit as shown

COMMERCIAL FAUCETS



PUSH BUTTON SELF - CLOSING LAVATORY FAUCET

Use 1/16" Hex key to adjust slow close timing screw. Adjusts closing time from 3 to 15 seconds



PLUMBERS QUALITY
 Chrome plated brass
 Low flow aerator
 1/2" IPS shank
 Complete with locknut and rosette

SEPARATE CARTRIDGE	PART NUMBER
21333	21800

QUARTER TURN LAVATORY FAUCET

Not self closing



PLUMBERS QUALITY
 Chrome plated brass
 Low flow aerator
 Hot or cold cross handle
 1/2" IPS shank
 Complete with locknut and rosette

PART NUMBER	HANDLE
21805	Hot
21806	Cold

SELF - CLOSING LAVATORY FAUCETS - HEAVY DUTY



Star or lever handle
 Vandal proof cap and aerator
 Chrome plated brass
 1/2" IPS shank
 Low flow aerator
 Complete with locknut and rosette

PART NUMBER	HANDLE STYLE
21931	Star
21932	Lever

SELF - CLOSING WALL FAUCETS - HEAVY DUTY



Star or lever handle
 Vandal proof cap
 No aerator
 Chrome plated brass
 1/2" FPT inlet

PART NUMBER	HANDLE STYLE
21936	Star
21937	Lever



SELF - CLOSING LAVATORY FAUCET

DISCONTINUED
Substitute # 21931

Chrome plated brass
1/2" IPS Shank
Low flow aerator
Complete with locknut
and rosette

PART NUMBER
2191

Repair Kit
PART NUMBER
2191-RK

PUSH BUTTON SELF - CLOSING LAVATORY FAUCET

Economical



Chrome plated brass
Low flow aerator
1/2" IPS shank
Complete with locknut and rosette
Non-Adjustable slow close
Closes in approximately 6 seconds at
60 PSI.

PART NUMBER
21803

PUSH BACK GLASS FILLER

Chrome plated brass, Volume control screw, Instant shut-off,
Cushioned chrome plated brass push arm

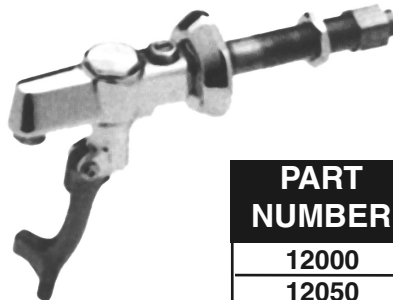
WALL MOUNT



12000 With flange 3-3/4" center of spout to wall



12050 No flange 3-1/2" center of spout to wall



12020 With flange and 2-1/4" nipple

PART NUMBER	DESCRIPTION
12000	3/8" IPS Female inlet
12050	3/8" IPS Male Inlet
12020	3/8" x 2-1/4" IPS Male Inlet
12002	Blue lexan push back arm
12004	Cushioned CP brass push back arm

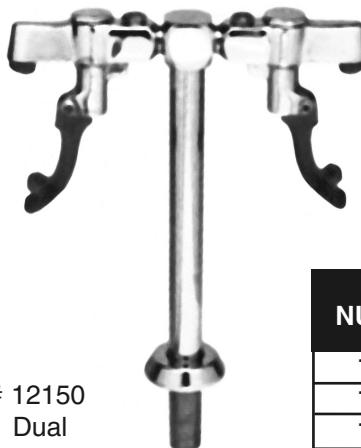
PEDESTAL



12100



12200



12150 Dual

Base of flange to spout is 8"

PART NUMBER	DESCRIPTION
12100	1/2" x 2" IPS Male inlet
12200	3/8" IPS Female inlet
12150	1/2" x 2" IPS male inlet

COMMERCIAL FAUCETS



**PUSH BUTTON SELF - CLOSING
90 DEGREE FLUSHVALVE WITH
VACUUM BREAKER**



Use 1/16" Hex key to adjust slow close timing screw. Adjusts closing time from 3 to 15 seconds

Plumbers quality
Chrome plated brass
1/2" FPT inlet
Vacuum breaker with 9" overall length
Chrome plated brass urinal spud flange with spud nut, washers
1/2" IPS wall flange

PART NUMBER	DESCRIPTION
21849	Complete flushvalve WITH vacuum breaker
21850	Valve ONLY with vacuum breaker adapter
21333	Cartridge ONLY
2020	3/4" x 1-1/2" Chrome plated brass valve to vacuum breaker adapter ONLY
980	Spud nut ONLY, with washer
981	Chrome plated brass escutcheon only
982	Spud nut, escutcheon & washer

**PUSH BUTTON SELF - CLOSING
90 DEGREE FLUSHVALVE**



Use 1/16" Hex key to adjust slow close timing screw. Adjusts closing time from 3 to 15 seconds

Plumbers quality
Chrome plated brass
1/2" FPT inlet
3/4" OD x 8" CP brass tailpiece
Chrome plated brass urinal spud flange with spud nut, washers
1/2" IPS wall flange

PART NUMBER	DESCRIPTION
21840	Complete flushvalve LESS vacuum breaker
21845	Valve ONLY, with nut & washer
21333	Cartridge ONLY
980	Spud nut ONLY, with washer
981	Chrome plated brass, Escutcheon & washer
982	Spud nut, escutcheon & washer
997	3/4" OD x 8" CP Brass tube, no threads with washers

**VACUUM BREAKER WITH
FLUSH TAILPIECE**



MADE IN U.S.A.
Chrome plated brass
9" Overall length
1-1/2" Top connection
3/4" OD flush tube

PART NUMBER
2022

REPAIR KIT



PART NUMBER
2025



PERFORATED WASHDOWN PIPES

For Trough Urinals

3/4" OD CP brass perforated tubing

3/4" OD compression tee inlet

DISCONTINUED

PART NUMBER	SIZE	DESCRIPTION
943	3 FT.	Perforated washdown pipe with 1/2" IPS loose key compression stop and support straps
944	4 FT.	
945	5 FT.	

LARGE URINAL STRAINERS

Caulk to 2" DWV



For wall to floor urinals
 Flat or beehive
 Stainless steel strainer
 Brass body
 Strainer screw holes on 3-5/16" centers, 4-3/8" across flange

PART NUMBER	DESCRIPTION
970	Flat strainer complete
971	Beehive strainer complete
972	Flat grill with screws
973	Beehive grill with screws

COUPLING NUT FOR URINAL FLUSH TUBES



3/4" Fine thread X 1/2" MPT
 Chrome plated Brass

PART NUMBER
984

URINAL FLUSH TUBES

3/4" OD CP brass



Fine Thread - One End

PART NUMBER	LENGTH
986	6-1/2"
989	15"

1/2" MPT - One End

PART NUMBER	LENGTH
993	6-1/2"

NO Threads - Both Ends

PART NUMBER	LENGTH
997	8"

SPUD NUT & ESCUTCHEON



PART NUMBER	DESCRIPTION
980	3/4" IPS Spud nut & washer
981	Escutcheon
982	Spud nut, Escutcheon & washer



SELF - CLOSING VALVE

Chrome plated brass

1/2" FPT x 1/2" FPT



**PART
NUMBER**
2192

**PUSH BUTTON SELF - CLOSING
90 DEGREE VALVE**

Chrome plated brass

Use 1/16" Hex key to adjust
slow close timing screw.
Adjusts closing time from
3 to 15 seconds



1/2" FPT inlet and outlet
valve only, no nipples

PLEASE NOTE:
USE EITHER PART # 993 FLUSH
TUBE OR # 984 NUT AND FINE
THREAD FLUSH TUBE TO ADAPT
THE ABOVE VALVES INTO
FLUSHVALVES.

**PART
NUMBER**
21810

**PUSH BUTTON SELF - CLOSING
180 DEGREE VALVE**

Chrome plated brass

Use 1/16" Hex key to adjust
slow close timing screw.
Adjusts closing time from
3 to 15 seconds



1/2" FPT inlet and outlet
valve ONLY, no nipples

PLEASE NOTE:
USE EITHER PART # 993 FLUSH TUBE
OR # 984 NUT AND FINE THREAD
FLUSH TUBE TO ADAPT THE ABOVE
VALVES INTO FLUSHVALVES.

**PART
NUMBER**
21830

SELF - CLOSING SHOWER VALVE

Chrome plated brass



1/2" FPT inlet and outlet

**PART
NUMBER**
2193



SELF - CLOSING DRINKING FOUNTAINS



1/2" FPT
 Chrome plated brass
 Flow regulator screw
 Cross handle
 Precision ball bearing action

PART NUMBER	FPT
2190	1/2"
2189	3/8"

2190-05	Handle cap nut
2190-13	Regulator screw cap nut
2190-RK	Repair kit

REMOTE PUSH BUTTON VALVE



Superior quality
 Chrome plated brass
 button and escutcheon
 1/4" FPT
 Lead-free cartridge

PART NUMBER
2179

PUSH BUTTON DRINKING FOUNTAIN



3/8" FPT
 Chrome plated brass
 Lead-free cartridges
 Replaces HAWS HW5010

FOUNTAIN BUSHING & VALVE WRENCH 2-IN-1 TOOL



Tightens or loosens cartridge retaining bushing
 Prevents bushing thread damage which causes leaks

PART NUMBER
7047

Push Button Drinking Fountain RETRO - FIT KIT



Replaces fountains on china fixtures
KIT CONTAINS:
 # 2194 Chrome plated brass bubbler head with lead-free cartridges
 1/2" x 3/8" x 3-1/2" inlet nipple
 Polished stainless steel flange
 Rosette, locknut & coupling nut
 1-3/4" cockhole cover

PART NUMBER	DESCRIPTION
2197	Retro-fit kit
1270	SS flange ONLY
2187	Brass nipple ONLY
2197-K	Repair kit contains all the above exception of 2194 Bubbler

PART NUMBER	DESCRIPTION
2194	Bubbler w/lead free cartridge
2194-P	Bubbler w/plastic cartridge

Bubblers only can be combined for price break

PART NUMBER	REPAIR CARTRIDGES
2195	Lead-free brass replacement cartridges
2196	Plastic replacement cartridge

Cartridges only can be combined for price break

PART NUMBER	REPAIR PARTS
2194-1	Chrome collar for button
2194-2	Chrome push button
2194-3	Cartridge retention bushing
2194-4	Valve gasket
2194-5	Lower inlet screen
2194-6	Inlet washer
2194-M	Mouthpiece set



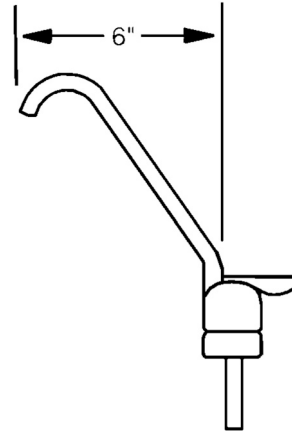
TOUCH - FLO®

Stocked in Almond, Chrome and White

Long Reach



7/16" Diameter hole required
1/4" Compression Connection

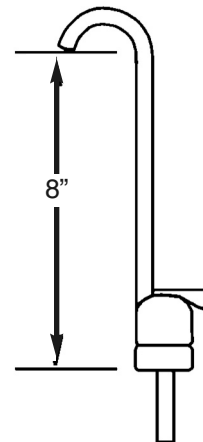


PART NUMBER	FINISH
2040-LR	Chrome
2040-LRW	White

Tall Spout



7/16" Diameter hole required
1/4" Compression Connection



PART NUMBER	FINISH
2040-TS	Chrome
2040-TSW	White

The Original

7/16" Diameter hole required
1/4" Compression Connection



PART NUMBER	FINISH
2040	Chrome
2040-W	White

7/16" Diameter hole required
3/8" Compression Connection

PART NUMBER	FINISH
2041	Chrome

Replacement Parts

PART NUMBER	CONNECTION
2039	3-3/4" Stud Extender
2043-B	Faucet Handle-Black
2043-R	Faucet Handle-Red
2044	Repair Kit
2061	Tip for Spout (All Colors)
2040-C	1/4" x 3/8" Tubing Reducing Coupling