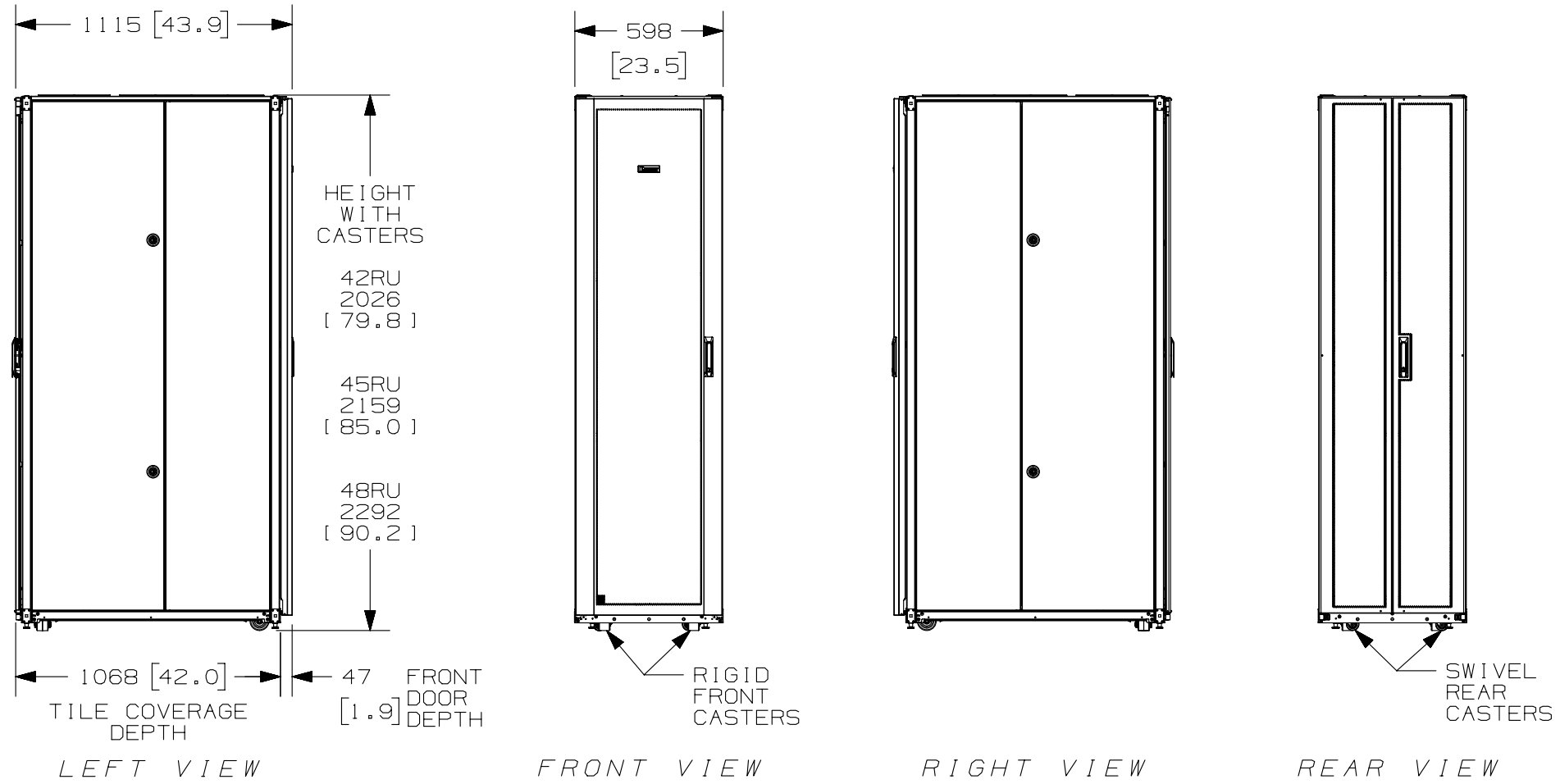


THIS COPY IS PROVIDED ON A RESTRICTED BASIS AND IS NOT TO BE USED IN ANY WAY DETRIMENTAL TO THE INTERESTS OF PANDUIT CORP.



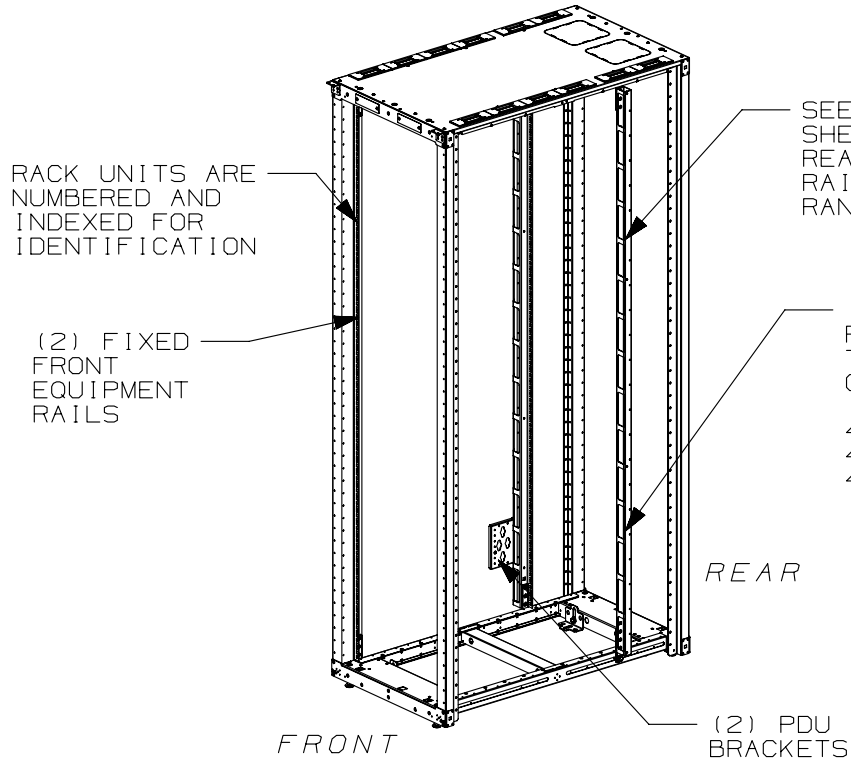
01A	12-04-14	PBS	ADP	TCN	SEE SHEET 1 OF 5 FOR REVISIONS	V09000BX
00A	5-15-13	PBS	NAGL	JDWE	SEE SHEET 1 OF 5 FOR REVISIONS	12V352BE-DC
REV	DATE	BY	CHK	APR	DESCRIPTION	ECN

TITLE		NET-ACCESS S TYPE CABINET WITH VERTICAL PATCHING 600mm WIDE X 1070mm DEEP FAMILY CUSTOMER DRAWING	
ITEM REVISION NAME		12V352BE/01.PRT	
DATASET FILE NAME		12V352BE_DC/01A.PRT	
MATERIAL:		N/A	
DRAWING NUMBER:		12V352BE-DC	
DRAWN BY		DATE	CHK
PBS	5-15-13	NAGL	SCALE
THIRD ANGLE PROJECTION		NONE	
SHT 3 OF 5		SIZE	
A		A	

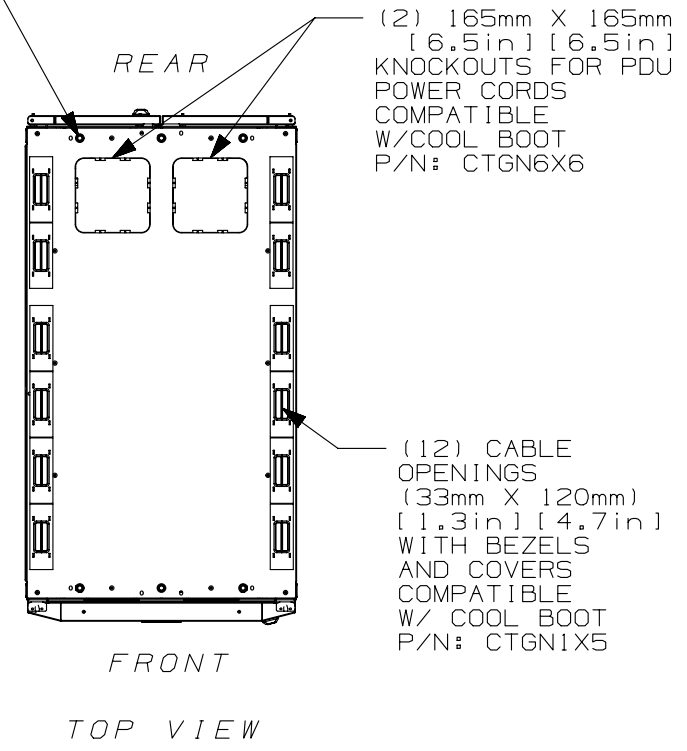
THIS COPY IS PROVIDED ON A RESTRICTED BASIS AND IS NOT TO BE USED IN ANY WAY DETRIMENTAL TO THE INTERESTS OF PANDUIT CORP.

2

1



(6) LOCATIONS TAPPED FOR M10 THREADED ROD



FRONT DOOR, REAR DOOR, AND SIDE PANELS NOT SHOWN

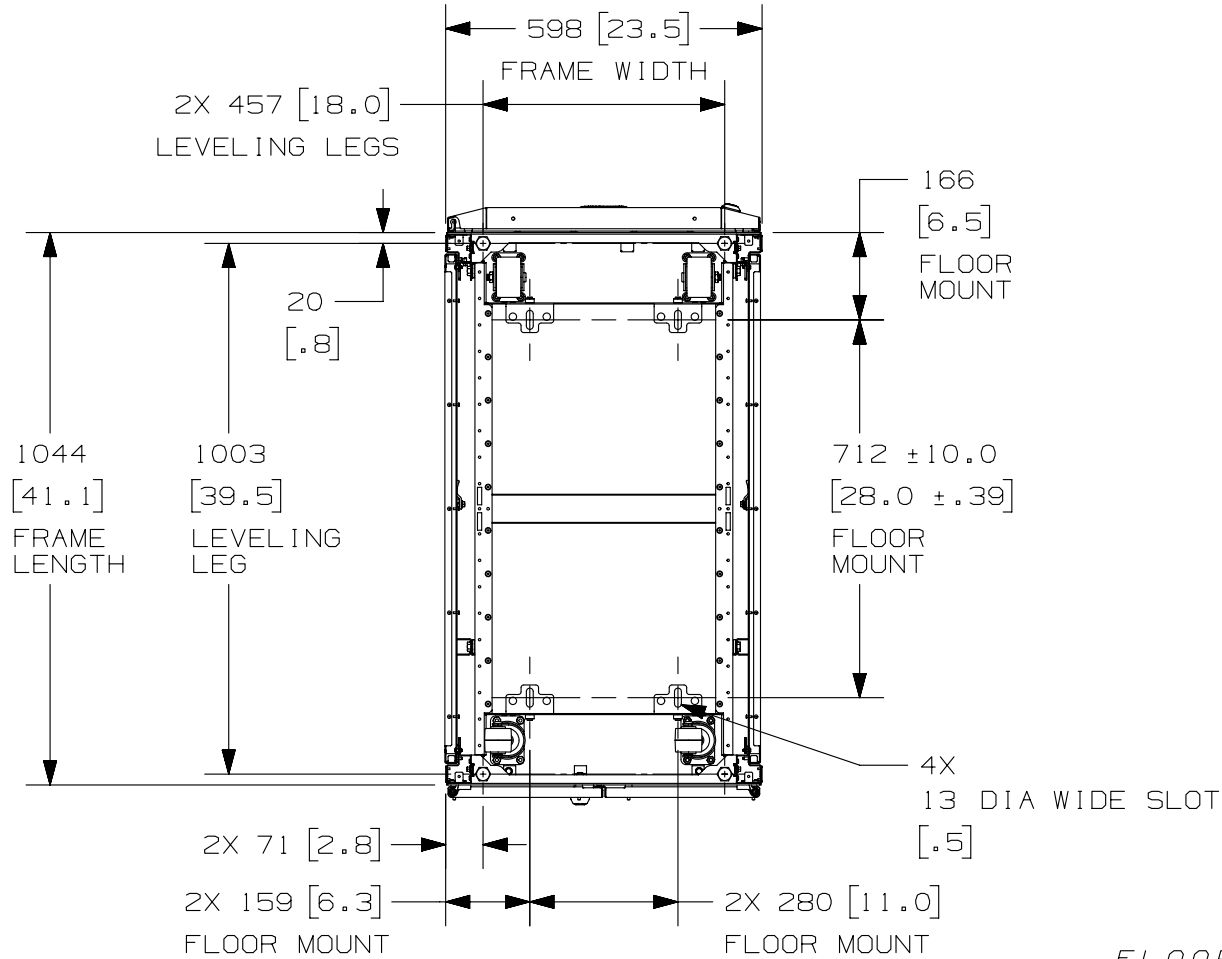
REV	DATE	BY	CHK	APR	DESCRIPTION	ECN
01A	12-04-14	PBS	ADP	TCN	SEE SHEET 1 OF 5 FOR REVISIONS	V09000BX
00A	5-15-13	PBS	NAGL	JDWE	SEE SHEET 1 OF 5 FOR REVISIONS	12V352BE-DC

TITLE				NET-ACCESS S TYPE CABINET WITH VERTICAL PATCHING 600mm WIDE X 1070mm DEEP FAMILY CUSTOMER DRAWING			
ITEM REVISION NAME				12V352BE/01.PRT			
DATASET FILE NAME				12V352BE_DC/01A.PRT			
MATERIAL:				N/A			
DRAWING NUMBER:				12V352BE-DC			
DRAWN BY	DATE	CHK	SCALE	THIRD ANGLE PROJECTION		SIZE	
PBS	5-15-13	NAGL	NONE	SHT 4 OF 5		A	

2

1

THIS COPY IS PROVIDED ON A RESTRICTED BASIS AND IS NOT TO BE USED IN ANY WAY DETRIMENTAL TO THE INTERESTS OF PANDUIT CORP.



REAR OF CABINET
BOTTOM VIEW

FLOOR MOUNTING HOLE LOCATIONS -
SOME PARTS REMOVED FOR CLARITY

REV	DATE	BY	CHK	APR	DESCRIPTION	ECN
01A	12-04-14	PBS	ADP	TCN	SEE SHEET 1 OF 5 FOR REVISIONS	V09000BX
00A	5-15-13	PBS	NAGL	JDWE	SEE SHEET 1 OF 5 FOR REVISIONS	12V352BE-DC

TITLE		NET-ACCESS S TYPE CABINET WITH VERTICAL PATCHING 600mm WIDE X 1070mm DEEP FAMILY CUSTOMER DRAWING	
ITEM REVISION NAME		12V352BE/01.PRT	
DATASET FILE NAME		12V352BE_DC/01A.PRT	
MATERIAL:		N/A	
DRAWING NUMBER:		12V352BE-DC	
DRAWN BY	DATE	CHK	SCALE
PBS	5-15-13	NAGL	NONE
THIRD ANGLE PROJECTION		SHT 5 OF 5	
SIZE		A	