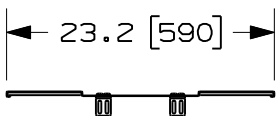
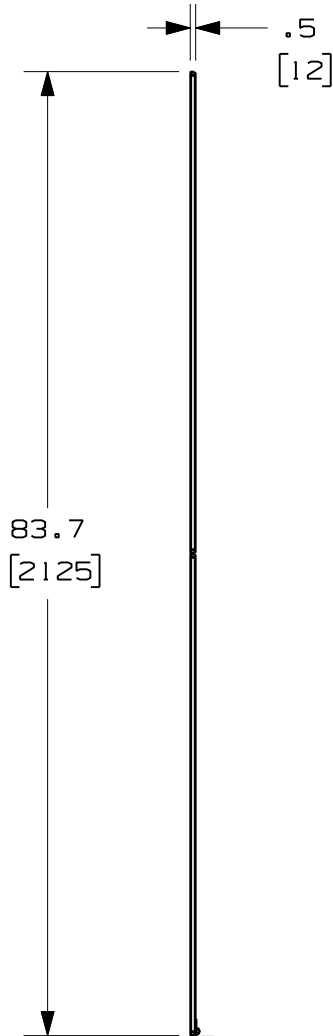
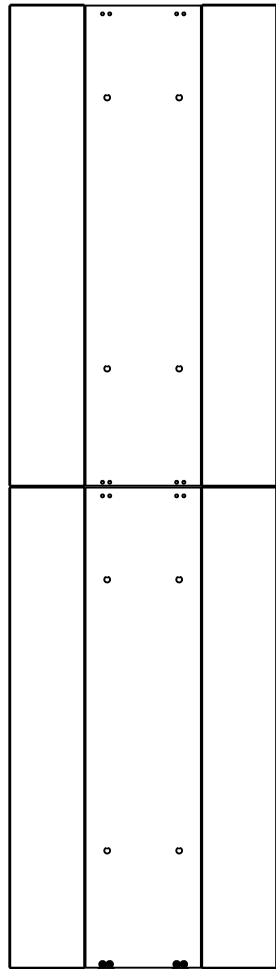


THIS COPY IS PROVIDED ON A RESTRICTED BASIS AND IS NOT TO BE USED IN ANY WAY DETRIMENTAL TO THE INTERESTS OF PANDUIT CORP.



PANDUIT P/N	WEIGHT
PEVEP	11.0 LBS/EACH 5.0 Kg/EACH

NOTES:

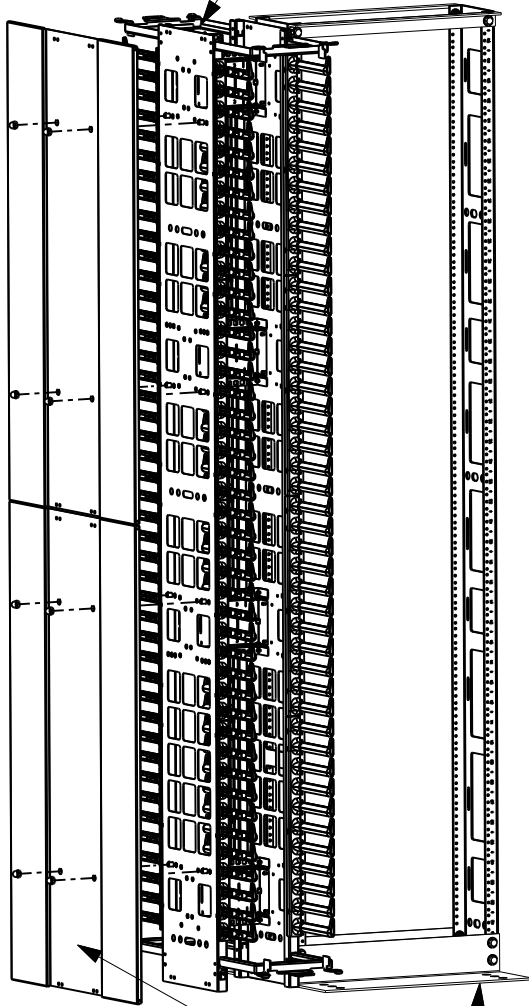
- VISIT OUR ON-LINE CATALOG AT WWW.PANDUIT.COM FOR A CURRENT LIST OF PRODUCTS APPLICABLE FOR USE WITH THIS PART.
- COMPONENTS:
2- 22 RU END PANEL SECTIONS
2- FLOOR MOUNTING BRACKETS
1- HARDWARE MOUNTING KIT
- PEVEP IS FLAT BLACK IN COLOR.
- DIMENSIONS IN PARENTHESIS ARE METRIC.
- DUAL-SIDED VERTICAL MANAGERS: (2) MOUNTING BRACKETS ARE REQUIRED.
SINGLE-SIDED VERTICAL MANAGERS: (1) MOUNTING BRACKET IS REQUIRED.

MODEL FILENAME	09V054DE/00
CAD FILENAME/LAYERS	09V054DE_DC/00B
<h1>PANDUIT</h1> CORP. TINLEY PARK, ILLINOIS	
HIGH CAPACITY VERTICAL END PANEL (PEVEP) CUSTOMER DRAWING	
UNLESS OTHERWISE SPECIFIED, DIMENSIONAL TOLERANCES ARE:	UNLESS OTHERWISE SPECIFIED, ALL DIMENSIONS ARE GIVEN IN INCHES, THIRD ANGLE PROJECTION.

REV	DATE	BY	CHK	DESCRIPTION	ECN	R	CUST	SUP	OTH	DRAWN BY	MAT'L	SCALE	DRAWING NO.	DWG SIZE
00B	6-11-10	BAME	SRK	REMOVED P/N PEVEPPG/N	09V054DE-DC					BAME	PANELS-ALUMINUM BRACKETS-STEEL	NONE	09V054DE-DC	A
00A	3-31-10	BAME	SRK	DRAWING RELEASED	09V054DE-DC		CMK			DATE 3-31-09			SHEET 1 OF 2	
										CHK'D SRK				

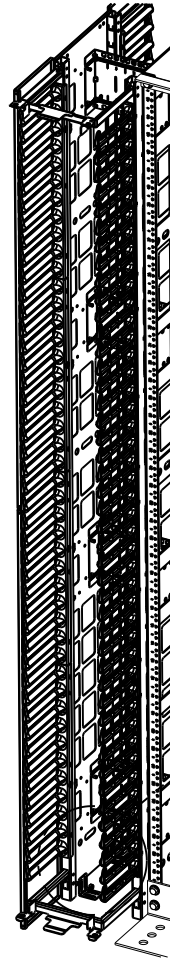
THIS COPY IS PROVIDED ON A RESTRICTED BASIS AND IS NOT TO BE USED IN ANY WAY DETRIMENTAL TO THE INTERESTS OF PANDUIT CORP.

PEV8
(DUAL-SIDED MANAGER
-NOT INCLUDED)



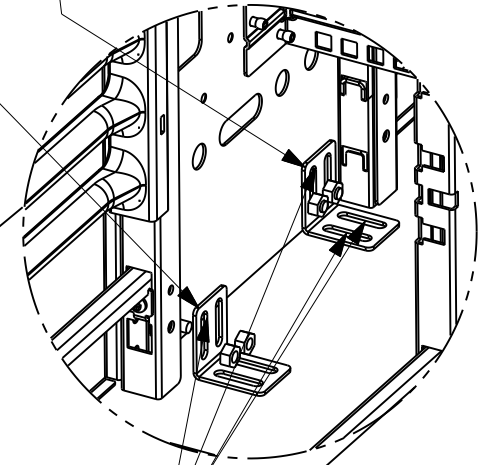
PEVEP BEING MOUNTED
TO HIGH CAPACITY
VERTICAL MANAGER

R2P6S
NOT INCLUDED



FLOOR MOUNTING BRACKET
CAN BE MOUNTED WITH THE
BOTTOM FLANGE ORIENTATED
TOWARD THE INSIDE OR THE
OUTSIDE OF THE PANEL.

BRACKET MUST BE MOUNTED
WITH BOTTOM FLANGE ORIENTATED
TOWARD OUTSIDE OF END PANEL
WHEN COOL BOOT IS USED.



MOUNTING BRACKETS MUST
BE MOUNTED TO INSIDE
FACE OF VERTICAL MANAGER

.265" X .86" SLOTS
FOR FLOOR MOUNTING
HARDWARE NOT INCLUDED
TO MOUNT TO FLOOR

MODEL FILENAME 09V054DE/00
CAD FILENAME/LAYERS 09V054DE_DC/00B

PANDUIT CORP. TINLEY PARK, ILLINOIS

HIGH CAPACITY VERTICAL END PANEL
(PEVEP)
CUSTOMER DRAWING

UNLESS OTHERWISE SPECIFIED, DIMENSIONAL TOLERANCES ARE:
UNLESS OTHERWISE SPECIFIED,
ALL DIMENSIONS ARE GIVEN
IN INCHES, THIRD ANGLE PROJECTION.

REV	DATE	BY	CHK	DESCRIPTION	ECN	R	CUST	SUP	OTH	DRAWN BY	MAT'L:	SCALE	DRAWING NO.	DWG SIZE
00B	6-11-10	BAME	SRK	SEE SHEET 1 OF 2 FOR REVISIONS	09V054DE-DC					BAME	PANELS-ALUMINUM BRACKETS-STEEL	NONE	09V054DE-DC	A
00A	3-31-10	BAME	SRK	SEE SHEET 1 OF 2 FOR REVISIONS	09V054DE-DC	CMK				DATE 3-31-09			SHEET 2 OF 2	
										CHK'D SRK				