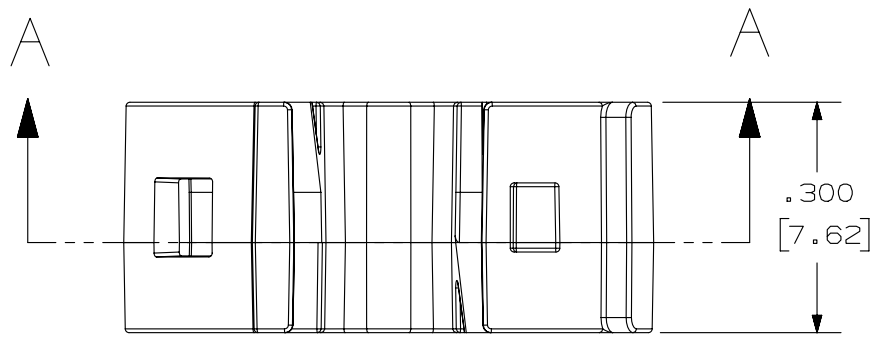


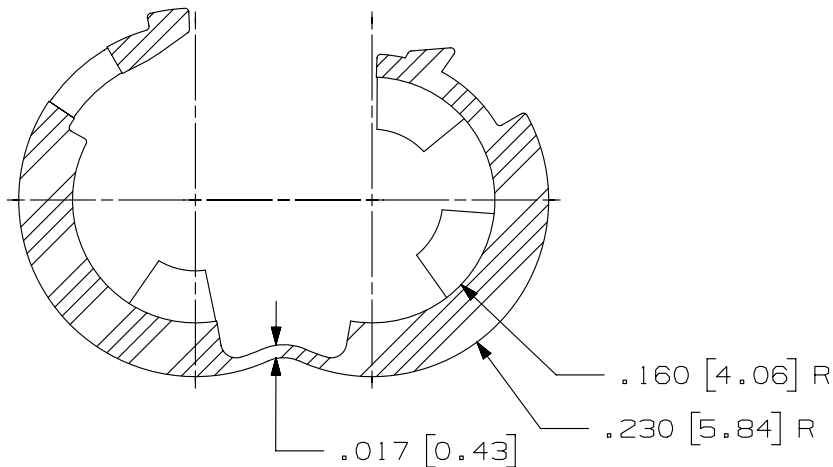
THIS COPY IS PROVIDED ON A RESTRICTED BASIS AND IS NOT TO BE USED IN ANY WAY DETRIMENTAL TO THE INTERESTS OF PANDUIT CORP.



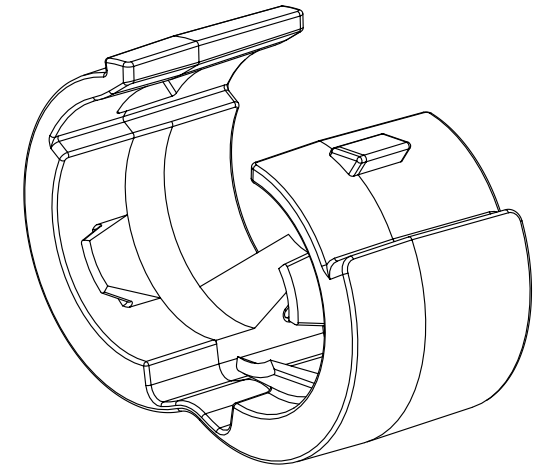
PANDUIT P/N	WEIGHT
PCBAND**-Q	.0186 LB/25 PCS (8.42 g/25 PCS)

NOTE:

1. SEE CURRENT CATALOG FOR ADDITIONAL PART NUMBER SUFFIXES TO INDICATE COLOR AND/OR PACKAGE QUANTITY. (** DENOTES COLOR)
2. SEE CATALOG FOR COMPLETE LIST OF PARTS APPLICABLE FOR USE WITH THIS PART.
3. DIMENSIONS IN PARENTHESES ARE IN METRIC.
4. MATERIALS: POLYPROPYLENE, COLORANT
5. FOR USE WITH .188" TO .310" DIA. CABLES



SECTION A - A PARTING LINE



PART NUMBER		PCBAND** - Q	
TITLE		PATCH CORD COLOR BAND	
		CUSTOMER DRAWING	
ITEM REVISION NAME		M03027BB/03	
DATASET FILE NAME		M03027BB_DC02/03E	
UNLESS OTHERWISE SPECIFIED, DIMENSIONAL TOLERANCES ARE: IN (mm)		MATERIAL:	
.x ±		.xxx ± .010 [.3]	
.xx ± .03 [.8]		ANGLES ±	
DRAWN BY		DRAWING NUMBER:	
BJN		03027-02	
DATE		THIRD ANGLE PROJECTION	
5-13-08		SHT 1 OF 1	
CHK		SIZE	
KAA		A	
SCALE			
NONE			

4	5/27/14	JSP	REFR	EJH	REVISED AND REDRAWN, PREVIOUS REVISIONS HAVE BEEN OMITTED.	03027-02
REV	DATE	BY	CHK	APR	DESCRIPTION	ECN

D10100DA/14