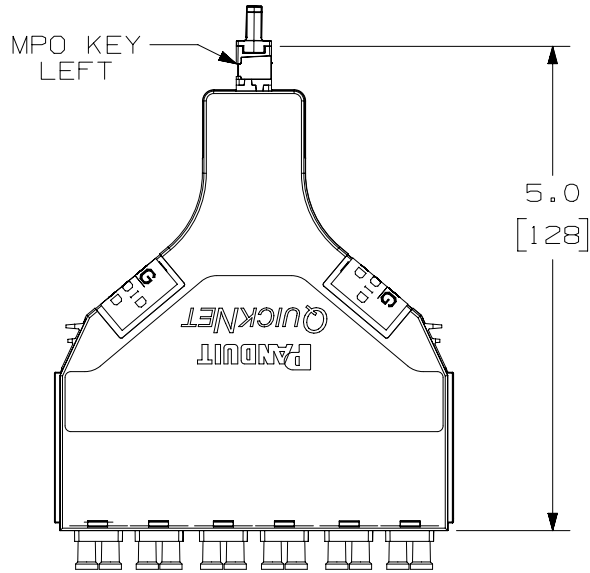
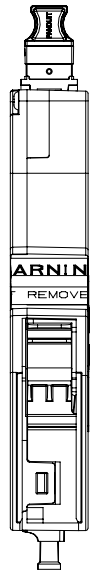
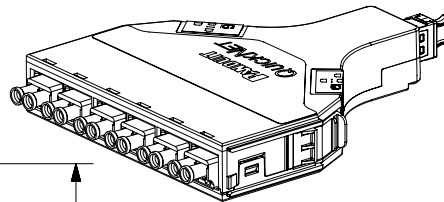
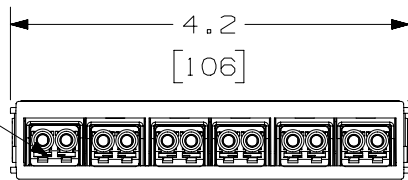


THIS COPY IS PROVIDED ON A RESTRICTED BASIS AND IS NOT TO BE USED IN ANY WAY DETRIMENTAL TO THE INTERESTS OF PANDUIT CORP.

FIBER POSITION  
1 2 3 4 5 6 7 8 9 10 11 12



LC CONNECTOR  
LATCH DOWN



FIBER POSITION [ 2 1 | 4 3 | 6 5 | 8 7 | 10 9 | 12 11 ]

METHOD A 12F - CASSETTE (AF)												
MPO END / LC END	FIBER POSITION FROM MPO END TO LC END											
MPO	1	2	3	4	5	6	7	8	9	10	11	12
LC	2	1	4	3	6	5	8	7	10	9	12	11

PANDUIT PART NUMBER	FIBER TYPE	PERFORMANCE LEVEL	ADAPTER COLOR (SPLIT SLEEVE)
FQXN-12-10AF	OM3	STANDARD LOSS	AQUA (ZIRCONIA)
FQXO-12-10AF	OM3	OPTIMIZED LOSS	AQUA (ZIRCONIA)
FQZN-12-10AF	OM4	STANDARD LOSS	AQUA (ZIRCONIA)
FQZO-12-10AF	OM4	OPTIMIZED LOSS	AQUA (ZIRCONIA)
FQSA-12-10AF	OM4+ (SIG CORE)	ULTRA LOW LOSS	AQUA (ZIRCONIA)
FQ9N-12-10AF	OS1/OS2	STANDARD LOSS	BLUE (ZIRCONIA)
FQWA-12-10AF	OM5+	ULTRA LOW LOSS	LIME GREEN (ZIRCONIA)
FQ9N-12-LAAF	OS2	STANDARD LOSS	LC/APC GREEN (ZIRCONIA)

NOTES:

- SEE CURRENT CATALOG FOR PART NUMBER SUFFIXES TO INDICATE COLOR AND/OR PACKAGE QUANTITIES.
- SEE CATALOG FOR A COMPLETE LIST OF PARTS APPLICABLE FOR USE WITH THIS PRODUCT.
- MATERIALS:  
A. MODULE MATERIAL: PLASTIC  
B. ADAPTER: COMPOSITE PLASTIC
- CASSETTE MODULE WEIGHT:  
2.4oz [ 69.0g ]
- DIMENSIONS IN BRACKETS ARE METRIC

PART NUMBER FQ**-12-10AF, FQ9N-12-LAAF	
TITLE QUICKNET SFQ SERIES CASSETTE, 12 FIBER DUPLEX LC TO MPO MODIFIED METHOD A, PAIR FLIPPED	
CUSTOMER DRAWING	
ITEM REVISION NAME M02947ZD/16	<b>PANDUIT</b>
DATASET FILE NAME M02947ZD_DC/16B	
UNLESS OTHERWISE SPECIFIED, DIMENSIONAL TOLERANCES ARE: IN ( mm ) .x ± .xxx ± .xx ± ANGLES ±	MATERIAL:
THIRD ANGLE PROJECTION	DRAWING NUMBER: 02947-30
DRAWN BY EFK	DATE 8-28-04
CHK WMA	SCALE NONE
SHT 1 OF 1	
SIZE A	

REV	DATE	BY	CHK	APR	DESCRIPTION	ECN
16B	06-04-19	SAT	DWW	EJH	D. ADDED P/N FQ9N-12-LAAF.	02947-30
16A	10-31-17	SAT	JGD	EJH	C. ADDED P/N FQWA-12-10AF.	02947-30
5	11/19/15	JSP	WJM	RAR	B. ADDED FIBER POSITION CHART. A. UPDATED DRAWING TITLE BLOCK.	02947-30

D10100DA/14