

M-13154

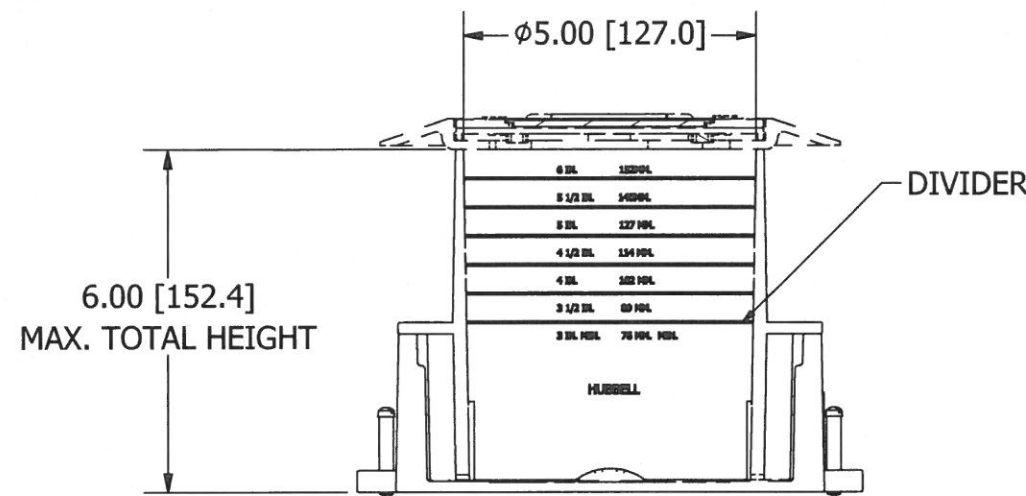
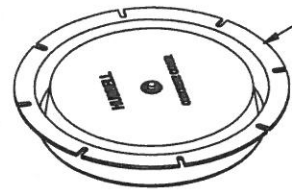
2

LIST OF PARTS

DESCRIPTION	MATERIAL	FINISH
FLOOR BOX	CAST IRON	GRAY
COVER RISER	PVC	GRAY
SCREWS	STEEL	ZINC PL
CLIPS	STEEL	BLACK
DIVIDER	NYLON	GRAY
GROUNDING SCREW & PIGTAIL	STEEL	GREEN
CONCRETE COVER	POLYPROPYLENE	YELLOW
CLOSURE PLUGS	STEEL	ZINC PL
LEVELING SCREWS	STEEL	ZINC PL

DIMENSION SHEET FOR CAT. NO. SEE TABLE

CONCRETE COVER



FLOOR BOX WITH COVER
ASSEMBLY INSTALLED AT MAXIMUM HEIGHT

DIVIDER

MOUNTING CLIPS

SCREWS

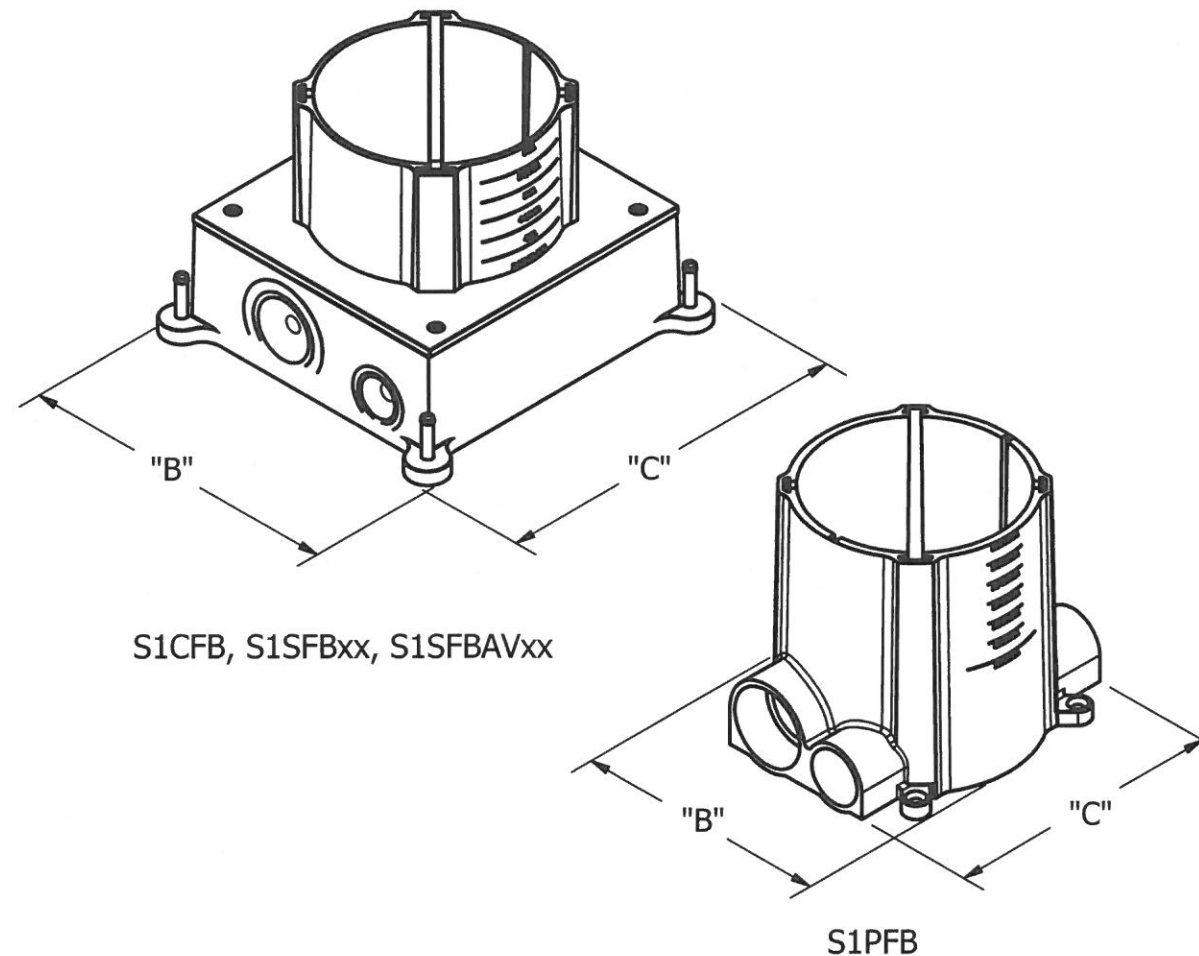
RISER

GROUNDING SCREW & PIGTAIL

LEVELING SCREW

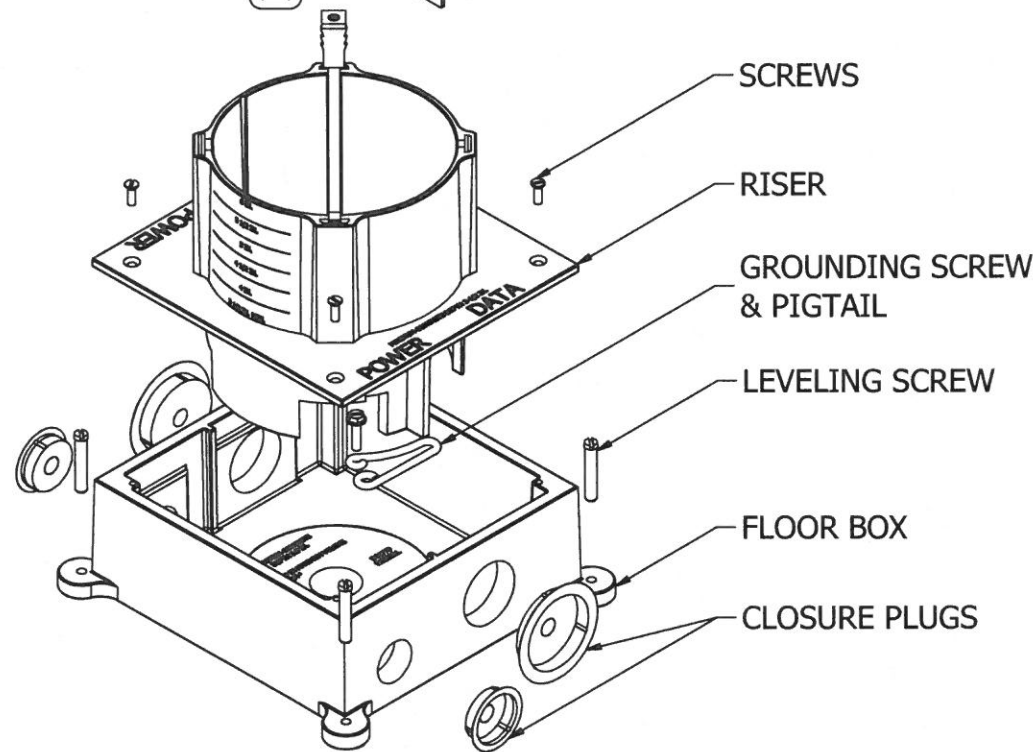
FLOOR BOX

CLOSURE PLUGS



S1CFB, S1SFBxx, S1SFBVxx

S1PFB



NOTES:
1. PRODUCT IS UL & CSA LISTED.COMPLIES WITH UL 514A, CSA C22.2 NO. 85-14.

DIMENSION	S1CFB	S1SFB/S1SFBVR	S1SFBV/S1SFBVCR	S1PFB
"B"	8.08 [205.2]	7.50 [190.5]	7.50 [190.5]	5.58 [141.7]
"C"	8.64 [219.5]	9.54 [242.2]	9.50 [241.3]	7.08 [179.8]

2	PER DCN 22135, RM	DDL	06/06/16
1	INITIAL RELEASE. PER DCN 22067	DDL	04/18/16
REV	DESCRIPTION	APP	DATE

THE DESIGN AND DIMENSIONS OF THE PRODUCT SHOWN ON THIS DRAWING ARE SUBJECT TO CHANGE WITHOUT NOTICE. DIMENSIONS ARE IN INCHES [mm].

TITLE
SYSTEM ONE FLUSH FLOOR BOX FAMILY

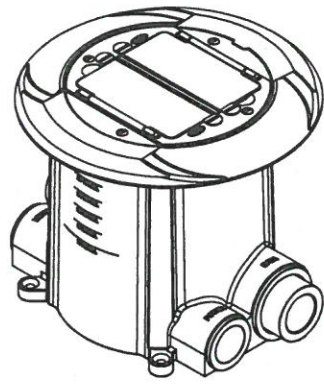


WIRING DEVICE-KELLEMS
HUBBELL INCORPORATED
SHELTON, CT

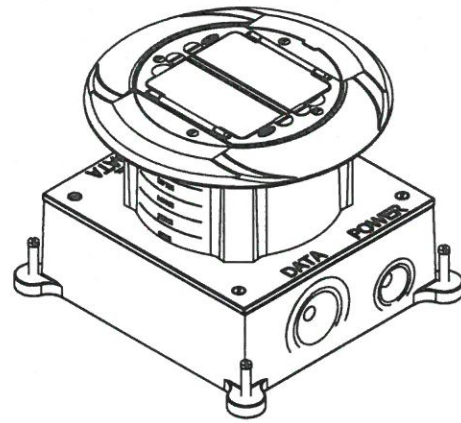
TOLERANCES UNLESS OTHERWISE SPECIFIED .XX = ±.01 .XXX = ±.005 ANGLE TOL. ±2°	DR. BY	SCALE	NONE
	CHK. BY DDL	DATE	04/15/16

SHEET 1 OF 3

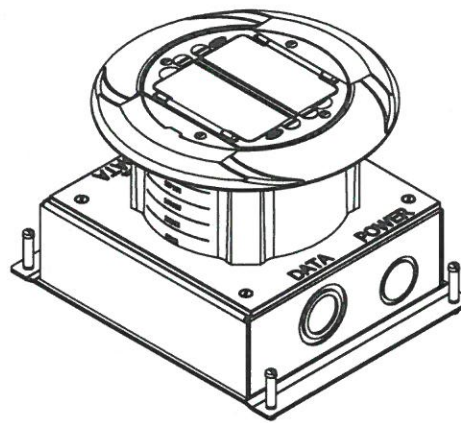
B M-13154 2



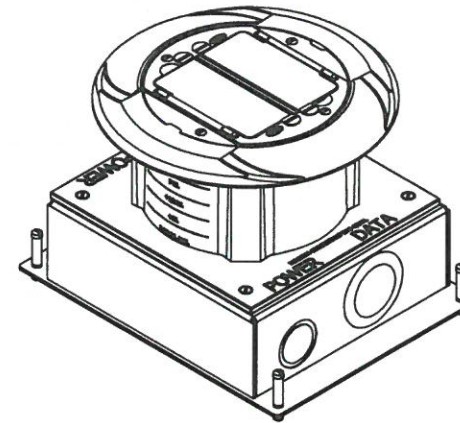
S1PFB
NON-METALLIC FLOOR BOX
(COVER SOLD SEPARATELY)



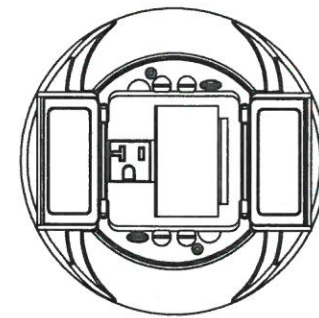
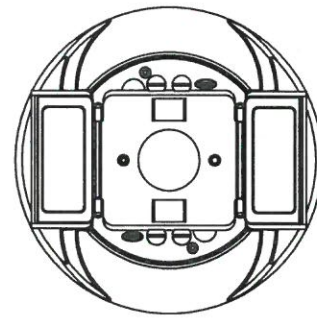
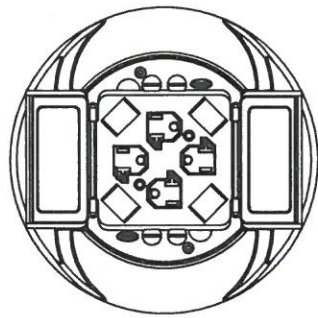
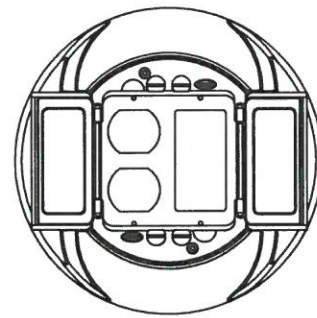
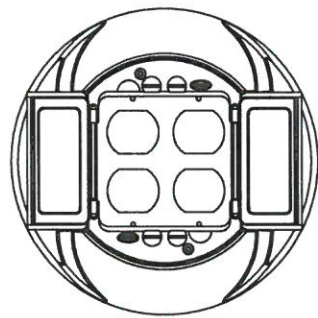
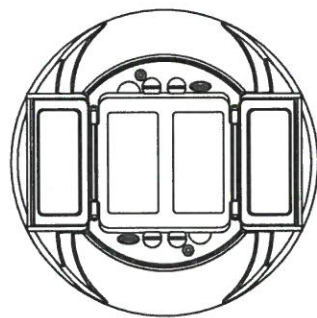
S1CFB
CAST IRON FLOOR BOX
(COVER SOLD SEPARATELY)



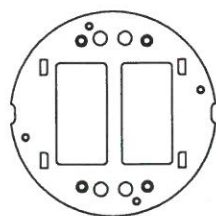
S1SFBxx
STAMPED STEEL FLOOR BOX
(COVER SOLD SEPARATELY)



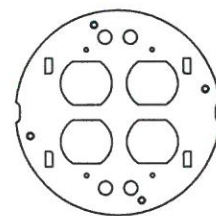
S1SFBVxx
STAMPED STEEL AV FLOOR BOX
(COVER SOLD SEPARATELY)



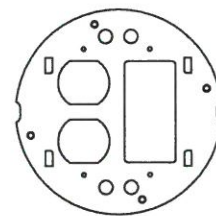
BIRD'S EYE VIEW WITH COVERS OPEN



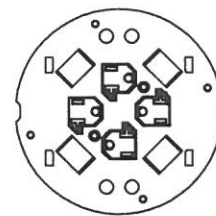
S1SP



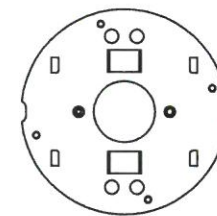
S1SPDU



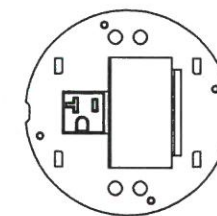
S1SPDUSL



S1SP4X4



S1SPTL



S1SP3IM

SYSTEM ONE FLUSH FLOOR BOX SUB PLATE FAMILY REQUIRED FOR ALL APPLICATIONS, SOLD SEPARATELY.

LIST OF PARTS

DESCRIPTION	MATERIAL	FINISH
SEE SHEET 1		

2	PER DCN 22135, RM	DDL	06/06/16
1	INITIAL RELEASE. PER DCN 22067	DDL	04/18/16
REV	DESCRIPTION	APP	DATE

THE DESIGN AND DIMENSIONS OF THE PRODUCT SHOWN ON THIS DRAWING ARE SUBJECT TO CHANGE WITHOUT NOTICE. DIMENSIONS ARE IN INCHES [mm].

TITLE	SYSTEM ONE FLUSH FLOOR BOX FAMILY
-------	-----------------------------------



WIRING DEVICE-KELLEMS
HUBBELL INCORPORATED
SHELTON, CT

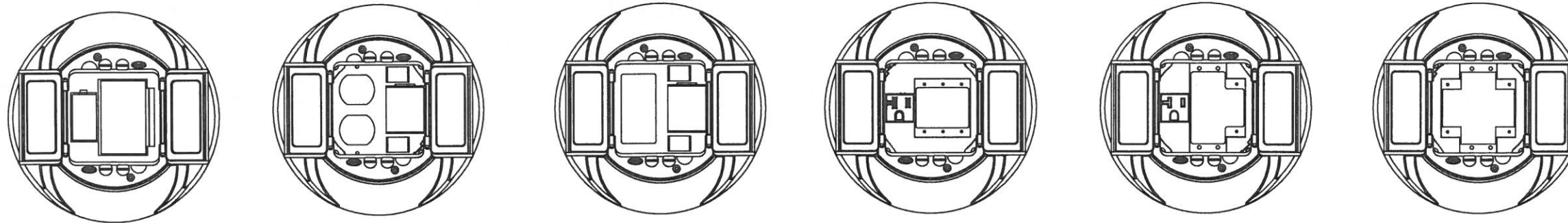
TOLERANCES UNLESS OTHERWISE SPECIFIED .XX = ± .01 .XXX = ± .005 ANGLE TOL. #2	DR. BY	SCALE	NONE
	CHK. BY	DATE	04/15/16

DIMENSION SHEET FOR CAT. NO. M-13154 SEE TABLE, SHEET 1

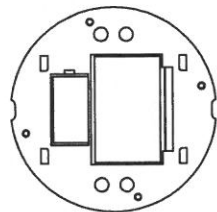
B

M-13154

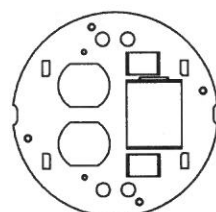
2



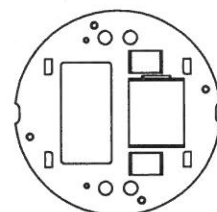
BIRD'S EYE VIEW WITH COVERS OPEN



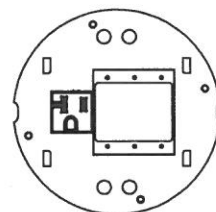
S1SP4IM



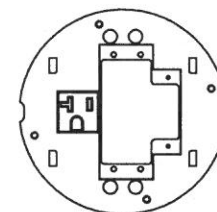
S1SPDU2IM



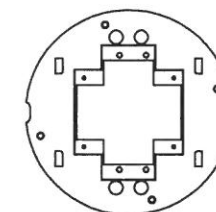
S1SPSL2IM



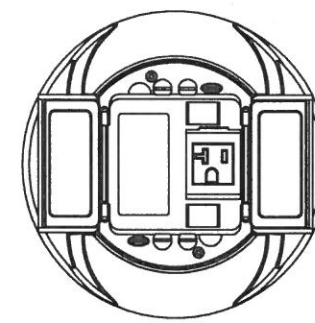
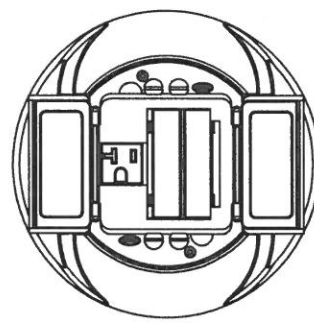
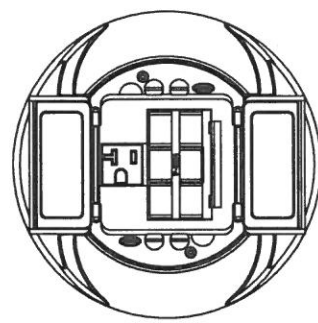
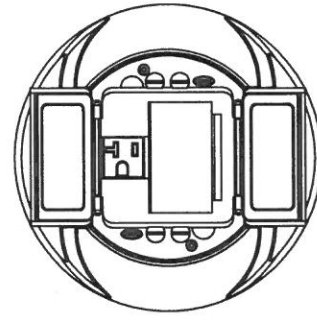
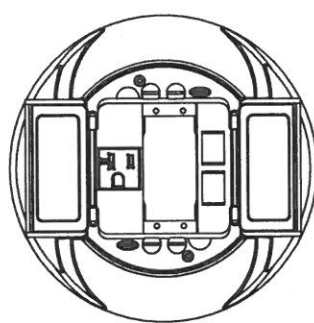
SLSPEXT1



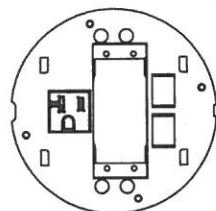
SLSPEXT2



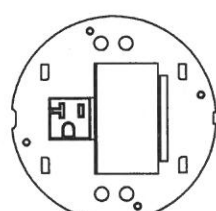
SLSPEXT3



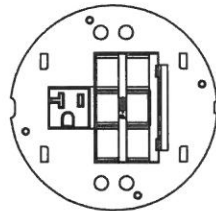
BIRD'S EYE VIEW WITH COVERS OPEN



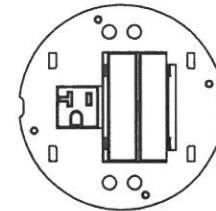
S1SPEXT4



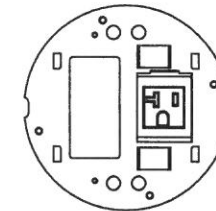
S1SPORT



S1SPMAX



S1SPTRAC



S1SPAMM20

SYSTEM ONE FLUSH FLOOR BOX SUB PLATE FAMILY REQUIRED FOR ALL APPLICATIONS, SOLD SEPARATELY.

LIST OF PARTS

DESCRIPTION	MATERIAL	FINISH
SEE SHEET 1		

DIMENSION SHEET FOR CAT. NO. SEE TABLE, SHEET 1

2	PER DCN 22135, RM	DDL	06/06/16
1	INITIAL RELEASE. PER DCN 22067	DDL	04/18/16
REV	DESCRIPTION	APP	DATE

THE DESIGN AND DIMENSIONS OF THE PRODUCT SHOWN ON THIS DRAWING ARE SUBJECT TO CHANGE WITHOUT NOTICE. DIMENSIONS ARE IN INCHES [mm].

TITLE
SYSTEM ONE FLUSH FLOOR BOX FAMILY



WIRING DEVICE-KELLEMS
HUBBELL INCORPORATED
SHELTON, CT

TOLERANCES UNLESS OTHERWISE SPECIFIED .XX = ± .01 .XXX = ± .005 ANGLE TOL. ±2°	DR. BY	SCALE	NONE
	CHK. BY	DATE	04/15/16

B

M-13154

2