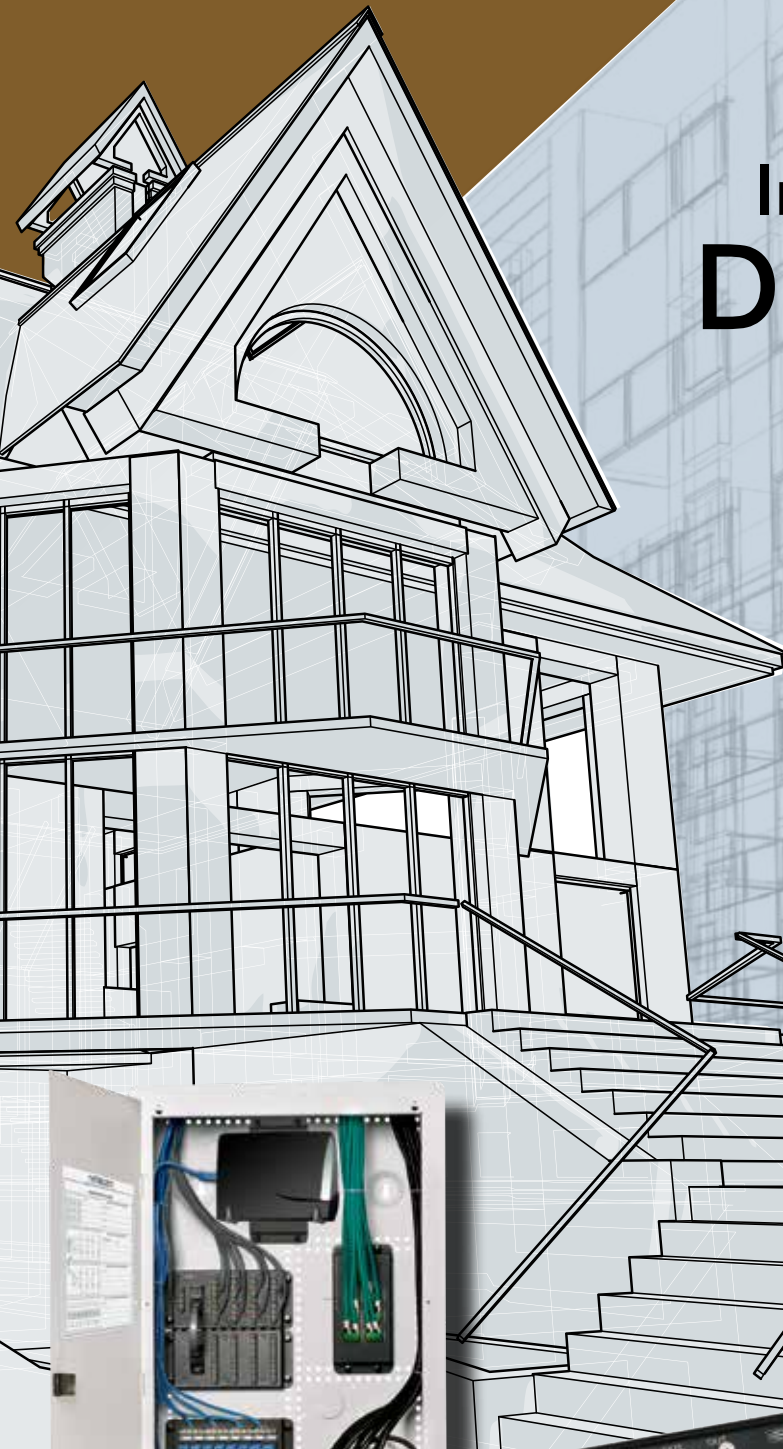


HUBBELL[®]
Premise Wiring



Infrastructure for Digital Lifestyles



www.hubbell-premise.com



Efficient | Use UTP cable to save time, labor, space and materials



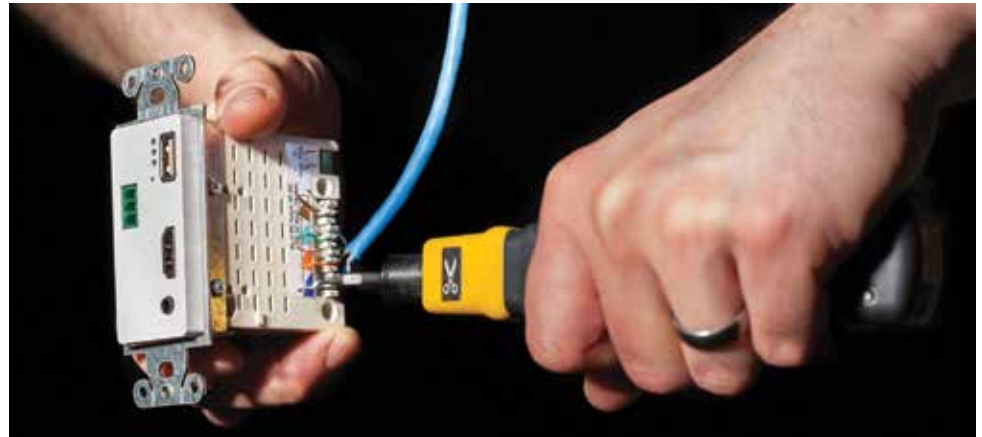
Capable | Send 4K, UHD HDMI up to 328 feet



Integrated | USB charging receptacle with 5V DC eliminates external power supplies

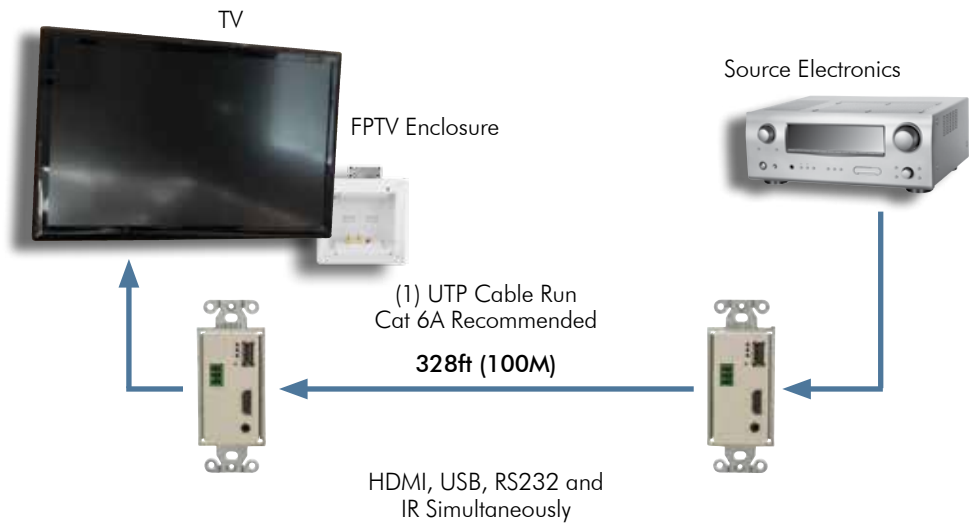
Benefits

- Transmit over UTP cables
- Extend AV signals up to 328 feet with HDBaseT
- Quick 110 termination
- Utilize same cable for current and future applications



AV Connections over UTP cabling | Traditional AV cabling does not support networked AV delivery—terminations are time consuming, cable is expensive and thick relative to Cat5e and Cat6 cable. Hubbell AV 110 Everywhere™ modules provide traditional 110 terminations that utilize readily available and cost effective UTP cable, reducing installation time and cost. UTP cable is also the cabling needed to support the transition toward IP based AV distribution and control. Combine with Hubbell’s extensive line of AV and power connection boxes for floor, in-wall and furniture to provide a complete AV infrastructure.

HDMI Over HDBaseT AV Distribution

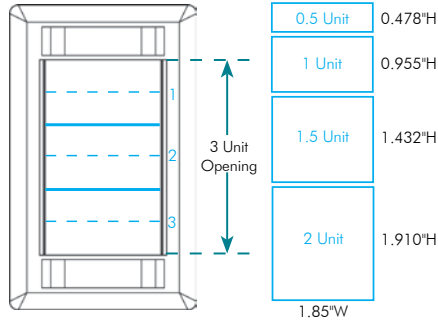


AV 110 Everywhere™

netSELECT®

USB 2.0 High Speed 110 Extenders, 100ft

Module 1.5 unit	
Color	Catalog Number
Black	IMU11015BK
Ivory	IMU11015EI
Gray	IMU11015GY
Office White	IMU11015OW
White	IMU11015W



VGA and 3.5mm HD AV Extender, 75ft

Module 1.5 unit	
Color	Catalog Number
Black	IM15311015BK
Ivory	IM15311015EI
Gray	IM15311015GY
Office White	IM15311015OW
White	IM15311015W

Tamper-Resistant Receptacle with 5V DC Power Output

USB charger		
Description	Color	Catalog Number
(1) USB port	Black	AVPS15BK
3A 5V DC output;	Ivory	AVPS15EI
15A 125V AC	Gray	AVPS15GY
decorator duplex	Office White	AVPS15OW
	White	AVPS15W

HDMI AV Extender, 120–140ft

2 unit		
Color	Style Line®	2-Unit Module
Black	ISFH110BK	IMH110ST2BK
Ivory	ISFH110EI	IMH110ST2EI
Gray	ISFH110GY	IMH110ST2GY
Office White	ISFH110OW	IMH110ST2OW
White	ISFH110W	IMH110ST2W

HDBaseT, HDMI, USB, IR and RS232, 328ft

3 unit		
Color	Style Line®	3-Unit Module
Black	ISFHDBT3BK	IMHDBT3BK
Ivory	ISFHDBT3EI	IMHDBT3EI
Gray	ISFHDBT3GY	IMHDBT3GY
Office White	ISFHDBT3OW	IMHDBT3OW
White	ISFHDBT3W	IMHDBT3W

110 AV Modules, 100ft

1.5 unit		1 unit	
Color	RCA Component Video, Left/Right Audio	RCA Component Video, 3.5mm Audio	RCA Component Video, HD RCA Left/Right Audio
Black	IMCAR11015BK	IMC3511015BK	IMCR1101BK IMAR1101BK
Ivory	IMCAR11015EI	IMC3511015EI	IMCR1101EI IMAR1101EI
Gray	IMCAR11015GY	IMC3511015GY	IMCR1101GY IMAR1101GY
Office White	IMCAR11015OW	IMC3511015OW	IMCR1101OW IMAR1101OW
White	IMCAR11015W	IMC3511015W	IMCR1101W IMAR1101W



USB 110 Extenders
IMU11015OW



AV Power Supply
AVPS15W



HD AV Extenders
IM15311015OW

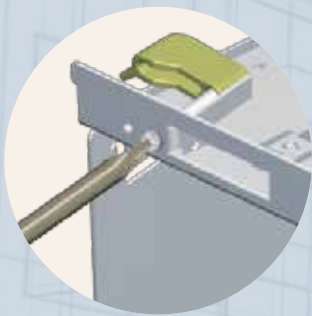


HDMI AV Extender
ISFH110OW

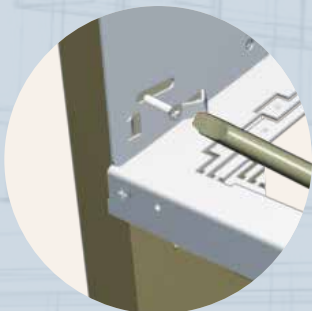
In-Wall AV Delivery



Optional screw-on cover reduces tampering and protects connections



Mounts to sheetrock



Mounts to studs

Flat Panel TV installations demand the best connections to assure optimum image quality. Hubbell has engineered a metal recessed enclosure that accommodates connections for HDMI, DVI, RG6/UQ and VGA, allowing large, high density cables to fit in the smallest footprint possible. Compatible with a wide variety of TV mounts, this FPTV enclosure provides an in-wall, structured network for multimedia connections and cables.

In-wall delivery of multimedia and power



Enclosure with 15 Amp duplex receptacle kit for power

Enclosure scenarios:

- Cat 6 jack for Internet TV
- Double HDMI with wallplate

Cabling scenarios:

- Device-to-device HDMI cable
- Two HDMI in-wall cables

Alternate output available for connection to other equipment (computers, game systems, etc.)

Connection scenarios:

- Coax cable in from provider
- Dual HDMI
- RCA component video from source electronics and auxiliary equipment

In-Wall AV Delivery

netSELECT®

Specifications



- 18 gauge cold rolled steel base
- White powder coat finish
- High impact ABS trim ring

Standards

- cULus 1863 listed
- UL V0 flame rating on ABS trim ring



FPTV Connection Enclosure

Description	Height Inches (mm)	Width Inches (mm)	Depth Inches (mm)	Color	Catalog No.
2-gang in-wall enclosure	8.16" (207)	7.92" (201)	3.37" (86)	White	NSAV62M
4-gang in-wall enclosure	8.16" (207)	15.8" (401)	3.37" (86)	White	NSAV124M
Cover for NSAV6 series	7.2" (183)	7.2" (183)	0.05" (1)	White	NSAV6C
4-gang cover with cable exit	7.2" (183)	14.4" (366)	0.05" (1)	White	NSAV12C
Block wall adapter					NSAV6BW
New work stud brackets					NSAV6NW

Power Kits

Description	Color	Catalog No.
Standard power kit	White	NSOKPTR
Surge protected power kit	Blue	NSOKPS

Feed-Through Plates

Description	Color	Catalog No.
1-gang	Ivory	NSAV1I
	White	NSAV1W
2-gang	Ivory	NSAV2I

Recessed Receptacles

Description	15A 125V, Tamper-Resistant Duplex Receptacle		
Color	1-Gang	2-Gang with Feed-Through	2-Gang with Snap Fit
Ivory	RR1510I	RR1512I	RR1514I
Light Almond	RR1510LA	RR1512LA	RR1514LA
White	RR1510W	RR1512W	RR1514W

Gangable AV Wall Boxes, 2- and 3-Gang

Box	Catalog No.
2-Gang, 2" KO, 54in ³ capacity	HBL985
3-Gang, 2" KO, 79in ³ capacity	HBL986
Divider for low voltage	HBL989



Cover
NSAV6C



Feed-Through Plate
NSAV1I



Recessed Receptacle
RR1514LA



Gangable Wall Box
HBL985

Network Enclosures



Specifications

- Material: 20-18 gauge steel
- Finish: white, powder coat
- UL and cULus Listed 1863



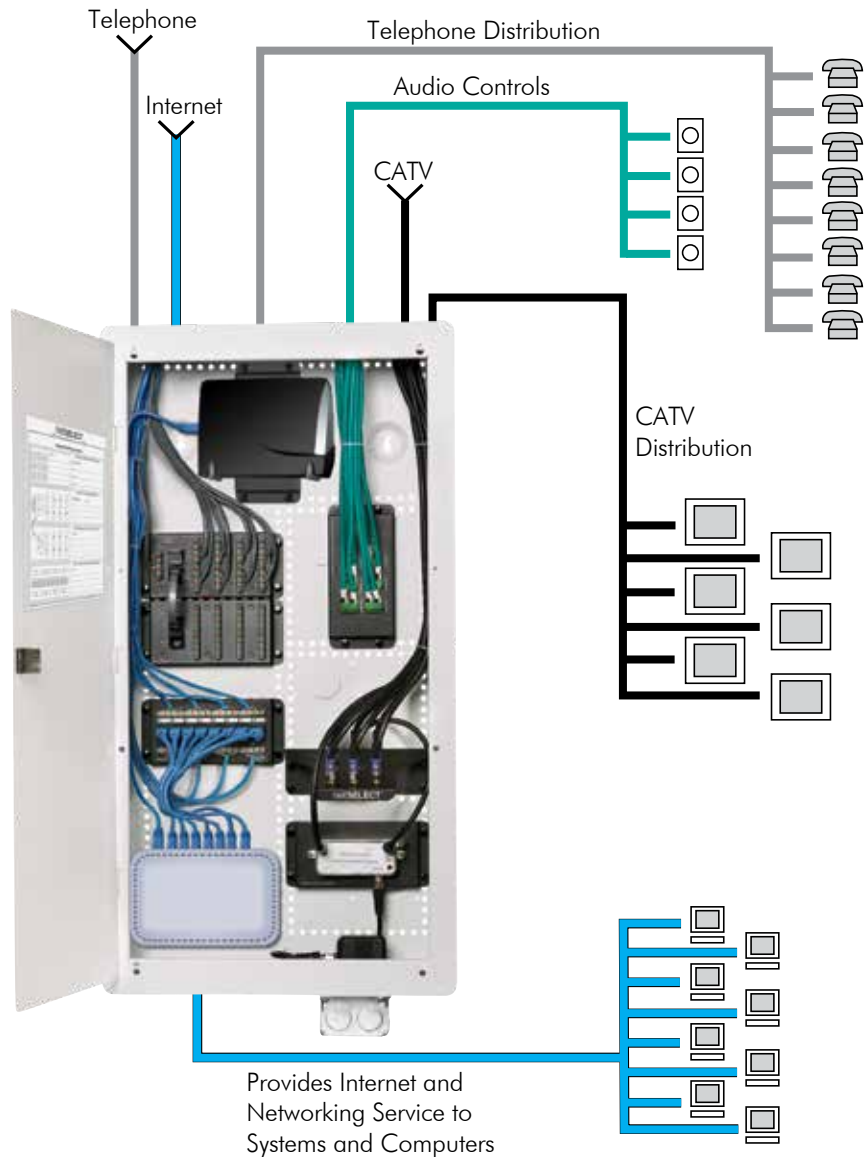
Flexible | Hinged cover can be mounted to swing from either side



Options | Horizontal and vertical module mounting holes provide maximum flexibility



Installation | Additional nylon push pins assist module mounting



Network Enclosures

netSELECT®

Pre-Configured Network System

Description	Catalog No.
Basic home network kit includes: - One box with hinged cover NSOBOX14 - One primary 8-port telephone module NSOPTM8 - One four way coaxial splitter module NSOVM4	NSOBNK14

10-Inch Network Enclosure for MDU and Modular Applications

Description	Height Inches (mm)	Width Inches (mm)	Depth Inches (mm)	Module Placement	Catalog No.
With hinged cover	11.55" (293)	15.65" (398)	4.08" (104)	3	NSOBX10
With panel cover	11.07" (281)	–	4.08" (104)	3	NSOBX10BC
10"H box only	10.07" (256)	14.38" (365)	3.96" (101)	3	NSOBX10B
Hinged door	11.55" (293)	15.65" (398)	0.58" (15)	–	NSOBX10D
Panel cover	11.07" (281)	15.50" (594)	0.20" (5)	–	NSOBX10C

14-Inch Network Enclosure

Description	Height Inches (mm)	Width Inches (mm)	Depth Inches (mm)	Module Placement	Catalog No.
With hinged cover	15.55" (395)	15.65" (398)	4.08" (104)	5	NSOBOX14
With panel cover	15.10" (384)	15.54" (395)	4.08" (104)	5	NSOBOX14BC
14"H box only	14.00" (356)	14.38" (365)	3.96" (101)	5	NSOBOX14B
Hinged door	15.55" (395)	15.65" (398)	0.33" (8)	–	NSOBOX14D
Vented door (louver)	15.55" (395)	15.65" (398)	0.52" (15)	–	NSOBOX14DL
Panel cover	15.11" (384)	15.54" (395)	0.20" (5)	–	NSOBOX14C
2"D extension bracket w ventilation, WiFi KO	15.30" (389)	15.57" (395)	2.00" (51)	–	NSOBOX14X2

28-Inch Network Enclosure

Description	Height Inches (mm)	Width Inches (mm)	Depth Inches (mm)	Module Placement	Catalog No.
With hinged cover	29.55" (751)	–	–	11	NSOBOX28
With panel cover	29.13" (740)	15.54" (395)	4.08" (104)	11	NSOBOX28BC
28"H box only	28.00" (711)	14.38" (365)	3.96" (101)	11	NSOBOX28B
Hinged door	29.55" (751)	15.65" (398)	0.33" (8)	–	NSOBOX28D
Vented door (louver)	29.55" (751)	15.65" (398)	0.52" (15)	–	NSOBOX28DL
Panel cover	29.29" (744)	15.54" (395)	0.20" (5)	–	NSOBOX28C
2"D extension bracket w ventilation, WiFi KOs	29.3" (744)	15.57" (395)	2.00" (51)	–	NSOBOX28X2

48-Inch Network Enclosure

Description	Height Inches (mm)	Width Inches (mm)	Depth Inches (mm)	Module Placement	Catalog No.
With hinged cover	48.94" (1243)	14.94" (379)	4.07" (103)	21	NSOBOX48*

*Door covers rough-in; no trim ring provided



Pre-Configured Network Kit
NSOBNK14



10-Inch
NSOBX10



14-Inch
NSOBOX14



Combination Module
NSOTVDM6



Expansion Telephone Module
NSOPTM8



Multiport Telecom Module
NSOMTM24



Multiport Telecom Module
NSOMTM12



Specifications



- Meets FCC Part 68 standard
- Finish: black, powder coat
- Material: 18 gauge steel or high impact plastic
- UL and cULus Listed 1863
- All data and phone modules 568A wired

Combo Modules

Description	Units	Catalog No.
6-port telephone panel and 6-port coaxial splitter with optional 6-port Category 5e panel provides voice, video, and data distribution in a space efficient package; perfect for use with NSOBOX10 and NS790xx plates to quickly establish a comprehensive home network		
6-port telephone and video	3	NSOTVM6
6-port telephone, video and Category 5e	3	NSOTVDM6
6-port Category 5e data upgrade kit	3	NSODK6

Primary Telephone Module

Description	Units	Catalog No.
8-port phone outlets with up to 4 incoming lines for voice, fax or modem applications in a protected PCB module; pre-mounted push pins snap the module quickly into place; RJ31X interface jack included for security system connection; RJ45 jack interfaces with optional NSOETM8 telephone expansion module for additional extensions	1	NSOPTM8

Expansion Telephone Module

Description	Units	Catalog No.
8-port adds an additional 8 phone outlets with up to 4 incoming lines when used with the primary telephone module; pre-mounted push pins snap the module quickly into place; includes RJ45 jumper cord to connect with NSOPTM8 primary telephone module	1	NSOETM8

Data Modules

Description	Units	Catalog No.
Category 5e data module, 8-port supports Gigabit Ethernet for up to 8 C5e data lines with front 110 punch-down terminations in a protected PCB module; pre-mounted push pins snap the module quickly into place	1	NSODM8
Category 6 data module, 8-port supports enhanced transmission speeds beyond Gigabit Ethernet; future-proof for tomorrows applications	1	NSODM8C6

Multiport Patchable Telecom Modules

Description	Units	Catalog No.
Terminates lines via modular plug to accommodate flexibility, by changing plug locations; reconfigure where phone lines go at the panel level; allows data lines to be converted to voice, with the move of a patch cord; includes nine RJ45 jumper cords	2	NSOMTM24
	1	NSOMTM12

Combination Module

Description	Units	Catalog No.
6-port telephone and 1-port Category 5e data provides basic telephone and data delivery in a small package; allows data lines to be converted to voice, with the move of a patch cord	1	NSO6P1DM

AV Modules

netSELECT®

Specifications



- Finish: black, powder coat
- UL and cULus Listed 1863
- Low-profile saves space
- Simple push pin mounting saves time



4-Way Coaxial Splitter Modules

One incoming line, four outgoing

Description	Units	Catalog No.
1Ghz, basic unit	1	NSOVM4
2.3Ghz, enhanced capability	1	NSOVM42G

6-Way Coaxial Splitter Modules

One incoming line, six outgoing

Description	Units	Catalog No.
1Ghz, basic unit	1	NSOVM6
2.3Ghz, enhanced capability	1	NSOVM62G

8-Way Coaxial Splitter Modules

One incoming line, eight outgoing

Description	Units	Catalog No.
1Ghz, basic unit	1	NSOVM8
2.3Ghz, enhanced capability	1	NSOVM82G

Fixed Video Amplifier Module

120 Volt rated

Description	Units	Catalog No.
Provides 10dB video signal amplification for incoming cable feeds recommended for use when more than four outputs are installed or when signal level is low; provides 10dB forward path gain and supports current digital cable systems and modems with a passive return; pre-mounted push pins snap the module quickly into place; includes RG-59 cable jumper to connect amplifier to passive video splitter	1	NSOVAMP

Eight Room Audio Module

Description	Units	Catalog No.
Distributes audio from an amplifier to matching volume controllers; supports up to eight rooms of audio; power handling – 200W RMS@20° C; requires impedance matching volume controls	1	NSOAM8

Blank Module Plate

Description	Units	Catalog No.
Allows mounting of active components (i.e. switches, routers) or other devices (66 blocks, audio components) onto a modular platform; can be custom drilled or used with two self-adhesive VELCRO® strips included to mount components onto module; pre-mounted push pins snap the module quickly into place	1	NSOBM



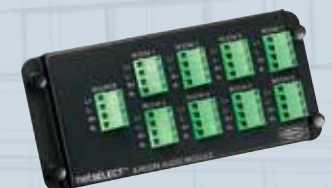
4-Way Coaxial Splitter
NSOVM4



8-Way Coaxial Splitter
NSOVM8



Fixed Audio Amplifier
NSOVAMP



Eight Room Audio
NSOAM8

VELCRO® is a registered trademark of Velcro Industries B.V.

Accessories



Slide Volume Controller
NSOSAVC



Rotary Volume Controller
NSORAVC



Surge Receptacle
NSOKPS



Panel Bracket Adapter
NSOFBS



F-Connector Adapter Panel
FSPFP6X



Features and Benefits

- netSELECT® accessories enhance system capabilities
- Volume controls expand home audio applications
- Cabinet mounted receptacle kits provide convenient power to the enclosure
- Audio controls available in slide or rotary
- Receptacles available in surge and standard kits

Slide Audio Volume Controller

Description	Color	Catalog No.
Decorator styling; power handling 70W RMS@20° C; impedance matching for up to 8 pairs of speakers; includes both ivory and white slides and frames	Ivory/White	NSOSAVC

Rotary Audio Volume Controller

Description	Color	Catalog No.
Power handling 70W RMS@20° C; impedance matching for up to 8 pairs of speakers; includes both ivory and white knobs and frames	Ivory/White	NSORAVC

Standard Power Kit

Description	Catalog No.
Includes duplex receptacle 15A 125V; NEMA 5-15R electrical steel box and wallplate	NSOKPTR

Surge Suppression Power Kit

Description	Catalog No.
Includes surge receptacle 15A 125V; NEMA 5-15R, 240 joules/15,000A protection; per mode; electrical steel box and wallplate	NSOKPS*

Lock Kit

Description	Catalog No.
Chromed steel; includes two keys; eliminates unwanted tampering	FLOCK1*

Panel Bracket Adapter

Description	Catalog No.
For use with adapter panels shown below and FSP series modules; snap mounts into structured cabling enclosures	NSOFBS

F-Connector Adapter Panel

Description	Catalog No.
F-connector adapter panel with six populated coaxial connectors	FSPFP6X

Keystone Adapter Panel

Description	Catalog No.
Features six blank openings for jacks and snap fits	FSPHD6X

*Not UL or cULus Listed.

Connectivity

netSELECT®

Specifications



- TIA 568-C.2 Category 5e/6 component compliant
- cULus Listed



Jack Panels

Ports	Category	Height Inches (mm)	Width Inches (mm)	Depth Inches (mm)	Type	Catalog No.
24	–	1.72" (44)	19.00" (483)	1.24" (31)	Jack Panel	NSPJ24
48	–	3.47" (88)	19.00" (483)	1.21" (31)	Jack Panel	NSPJ48

netSELECT® Category 6, 5e and USOC Jacks

Color	Modular Snap Fit Cat 6 Jack (Single Pack)	Modular Snap Fit Cat 6 Jack (25-pack)	Modular Snap Fit Cat 5e Jack (Single Pack)	Modular Snap Fit Cat 5e Jack (25-pack)	Modular Snap Fit USOC Jack (Single Pack)
Black	NSJ6BK	NSJ6BK25	NSJ5EBK	NSJ5EBK25	NSJUBK
Blue	NSJ6B	NSJ6B25	NSJ5EB	NSJ5EB25	NSJUB
Gray	NSJ6GY	NSJ6GY25	NSJ5EGY	NSJ5EGY25	NSJUGY
Green	NSJ6GN	NSJ6GN25	NSJ5EGN	NSJ5EGN25	NSJUGN
Ivory	NSJ6I	NSJ6I25	NSJ5EI	NSJ5EI25	NSJUI
Light Almond	NSJ6LA	NSJ6LA25	NSJ5ELA	NSJ5ELA25	NSJULA
Orange	NSJ6OR	NSJ6OR25	NSJ5EOR	NSJ5EOR25	NSJUOR
Red	NSJ6R	NSJ6R25	NSJ5ER	NSJ5ER25	NSJUR
White	NSJ6W	NSJ6W25	NSJ5EW	NSJ5EW25	NSJUW
Yellow	NSJ6Y	NSJ6Y25	NSJ5EY	NSJ5EY25	NSJUY

NSC Patch Cords

Category	Color			
	Black	Blue	Gray	White
6	NSC6BKyy	NSC6Byy	NSC6GYyy	NSC6Wyy
5e	NSC5EBKyy	NSC5EByy	NSC5EGYyy	NSC5EWyy

yy = Length: 1ft (01), 3ft (03), 5ft (05), 7ft (07), 10ft (10) and 15ft (15).



Jack Patch Panel
NSPJ48



Cat 6 Snap Fit Jack
NSJ6W



Snap Fit USOC Jack
NSJUW



NSC Patch Cord
NSC6BK01

Frames and Plates



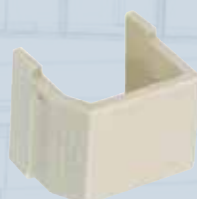
4-Port Frame
NS614I



Adapter Frame
NS621I



3-Port, 1-Gang, Standard
NSP13I



Blank Connector
SFSBEI10



Features and Benefits

- Elongated strap for better wall box mounting
- High impact-resistant thermoplastic frame
- UL Listed 1863 - Communication Circuit Accessory and CSA Certified

Decorator Frames

Description	Catalog No.
1-Port	NS611xx
2-Port	NS612xx
3-Port	NS613xx
4-Port	NS614xx
6-Port	NS616xx
Adapter, .406" (10.3mm) diameter hole	NS621xx*
Adapter, Blank	NS620xx

xx = Color: Standard color is Brown, add suffix for **BK** (Black), **GY** (Gray), **I** (Ivory), **LA** (Light Almond) and **W** (White);

*Available in **I** (Ivory) and **W** (White) only

Note: Use NS621 with rotary dimmers or to pull through AV or telephone cable; use NS620 to fill an extra decorator opening or create customized openings

Multimedia Face Plates, 1-Gang

Description	Standard
1-Port	NSP11xx
2-Port	NSP12xx
3-Port	NSP13xx
4-Port	NSP14xx
6-Port	NSP16xx

xx = Color: **BK** (Black), **GY** (Gray), **I** (Ivory), **LA** (Light Almond) and **W** (White)

Multimedia Face Plates, 2-Gang

Description	Standard
4-Port	NSP24xx
6-Port	NSP26xx

xx = Color: **BK** (Black), **GY** (Gray), **I** (Ivory), **LA** (Light Almond) and **W** (White)

Blank Connector

Description	Catalog No.
Smooth, 10-pack	SFSBxx10

xx = Color: **BK** (Black), **GY** (Gray), **EI** (Ivory), **LA** (Light Almond) and **W** (White)

Molded-In Voice/Data/Video Frames

Features and Benefits

- High impact-resistant thermoplastic frame
- Meets FCC part 68
- UL Listed 1863 – Communication Circuit Accessory and CSA Certified



Molded-In Voice and Data Decorator Frames

	2 Jack Voice Data Frame				
Jack	One RJ11 Jack	One RJ11 Jack	Duplex RJ11 Jack	RJ11 Jack	Category 5e
Position	6-Position	6-Position	6-Position	6-Position	8-Position
Conductors	4-Conductor	6-Conductor	6-Conductor	4-Conductor	8-Conductor
Terminations	Screw	Screw	Screw	Screw	110 IDC
Catalog No.	NS770xx	NS771xx*	NS772xx**	NS784xx	

xx = Color: **BK** (Black), No suffix (Brown), **GY** (Gray), **I** (Ivory), **LA** (Light Almond) and **W** (White)

*Not available in Black or Gray; **Not available in Black, Brown or Gray

Molded-In Video and Voice Decorator Frames

	One RJ11 Jack, 6-Position, 4-Conductor				One Cat 5e 110 Punch-Down
F-Connector	Single F-Type Coupler Bulkhead	Duplex F-Type Coupler Bulkhead	One F-Type Coupler Bulkhead	One F-Type Coupler Bulkhead	One F-Type Coupler Bulkhead
Type	Female to Female	Female to Female	Female to Female	Female to Female	Female to Female
Terminations	Screw	Screw	Screw	Screw	Screw
Catalog No.	NS780xx*	NS782xx*	NS783xx*	NS785xx	

xx = Color: **BK** (Black), No suffix (Brown), **GY** (Gray), **I** (Ivory), **LA** (Light Almond) and **W** (White)

*Not available in Black, Brown or Gray

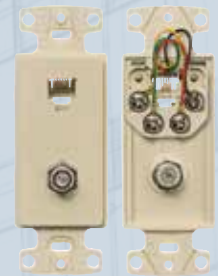
Decorator Wallplates, Standard, Nylon

Color	1-Gang	2-Gang	3-Gang
Almond	NP26AL	NP262AL	NP263AL
Black	NP26BK	NP262BK	NP263BK
Gray	NP26GY	NP262GY	NP263GY
Ivory	NP26I	NP262I	NP263I
Light Almond	NP26LA	NP262LA	NP263LA
White	NP26W	NP262W	NP263W

netSELECT®



RJ11, 6-Pos, 4-Cond
NS770I



RJ11 + F-Type Coupler
NS783I



110 Punch-Down + F-Type Coupler
NS785I



2-Gang Wallplate
NP262LA

Molded-In Plates



RJ11, 6-Pos, 6-Cond
NS732I



Duplex RJ11, 6-Pos, 6-Cond
NS744I



RJ11 + F-Type Coupler
NS747I



110 Punch-Down +
RJ11 + F-Type Coupler
NS790I



Features and Benefits

- High impact-resistant thermoplastic plate
- Convenient screw down terminals
- Meets FCC part 68
- UL Listed 1863 – Communication Circuit Accessory and CSA Certified

Molded-In Plates for Voice, 1-Gang

Standard				
Jack	One RJ11 Jack	One RJ11 Jack	Duplex RJ11 Jack	Duplex RJ11 Jack
Position	6-Position	6-Position	6-Position	6-Position
Conductors	4-Conductor	6-Conductor	4-Conductor	6-Conductor
Terminations	Screw	Screw	Screw	Screw
Catalog No.	NS730xx	NS732xx	NS742xx*	NS744xx*
Mid-Size				
Jacks	One RJ11 Jack		Duplex RJ11 Jack	
Position	6-Position		6-Position	
Conductors	4-Conductor		4-Conductor	
Terminations	Screw		Screw	
Catalog No.	NS735xx		NS745xx**	

xx = Color: No suffix (Brown), **I** (Ivory), **LA** (Light Almond), and **W** (White)

*Not available in Brown; **Available in **I** (Ivory) and **W** (White) only

Molded-In Plates for Voice and CATV/Satellite, 1-Gang

Standard					
Jack	One RJ11 Jack	One RJ11 Jack	–	–	One C5e 110 Punch-Down, One RJ11 Jack
F-Connector	One F-Type Coupler Bulkhead	One F-Type Coupler Bulkhead	One F-Type Coupler Bulkhead	Duplex F-Type Coupler Bulkhead	One F-Type Coupler Bulkhead
Position	6-Position	6-Position	–	–	6-Position
Conductors	6-Conductor	4-Conductor	–	–	4-Conductor
Type	Female to Female	Female to Female	Female to Female	Female to Female	Female to Female
Catalog No.	NS748xx	NS747xx	NS750xx	NS752xx	NS790xx*
Mid-Size					
Jack	One RJ11 Jack				
F-Connector	One F-Type Coupler Bulkhead		One F-Type Coupler Bulkhead		
Position	6-Position		–		
Conductors	6-Conductor		–		
Type	Female to Female		Female to Female		
Catalog No.	NS755xx		NS751xx		

xx = Color: **I** (Ivory), **LA** (Light Almond) and **W** (White)

*Also available in **BK** (Black), No suffix (Brown) and **GY** (Gray)

Telephone Wall Jacks

Features and Benefits

- Available in high impact-resistant thermoplastic or stainless steel
- Meets FCC part 68
- UL Listed 1863 – Communication Circuit Accessory and CSA Certified



Telephone Wall Jacks

	Thermoplastic			Stainless Steel	
Jack	Wall Phone Jack Quick Connect	Wall Phone Jack	Wall Phone Jack	Wall Phone Jack Quick Connect	Wall Phone Jack
Position	6-Position	6-Position	6-Position	6-Position	6-Position
Conductors	4-Conductor	4-Conductor	6-Conductor	4-Conductor	4-Conductor
Terminations	Punch-Down (Tool Included)	Screw	Screw	Punch-Down (Tool Included)	Screw
Catalog No.	NS721xx*	NS722xx	NS725xx	NS723SS	NS726SS

xx = Color: **I** (Ivory), **LA** (Light Almond) and **W** (White)

*Not available in Light Almond

Features and Benefits

- High impact-resistant thermoplastic
- Mounts using screws or double sided tape (both included)
- Meets FCC part 68
- UL Listed 1863 – Communication Circuit Accessory and CSA Certified



Telephone Surface Mount Jacks

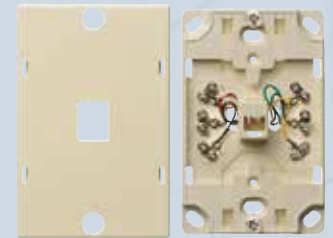
Description	Telephone Surface Mount Jack	Telephone Surface Mount Jack	Multimedia 1-Port Surface Mount Box**, Jack Not Included	Multimedia 2-Port Surface Mount Box**, Jack Not Included
Position	6-Position	6-Position	–	–
Conductors	4-Conductor	6-Conductor	–	–
Terminations	Screw	Screw	–	–
Catalog No.	NS760xx*	NS761xx*	ISB1xx	ISB2xx

xx = Color: **BK** (Black), **EI** (Electric Ivory), **GY** (Gray), **OW** (Office White) and **W** (White)

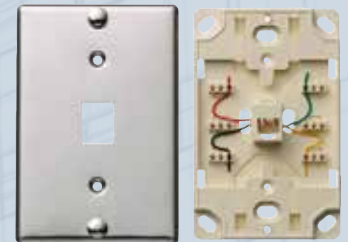
*NS Series is available in **I** (Ivory) and **W** (White) only

**cULus Listed 1863 - Communication Circuit Accessory; use multimedia jacks and AV connectors

netSELECT®



Screw Termination
NS725I



Stainless Steel Quick Connect
NS725I



Surface Mount Phone Jack
NS760I



Multimedia 2-Port
ISB2EI

Hubbell's Total Residential Infrastructure Solution

Select the best when it comes to electrical devices and voice/data products. Hubbell offers the superior performance, innovation and style that your home deserves.



Smart Design for Your Home



Smart Design for Your Home Product Selection Guide



HDTV Connectivity Installation Guide

www.
hubbell-premise
.com

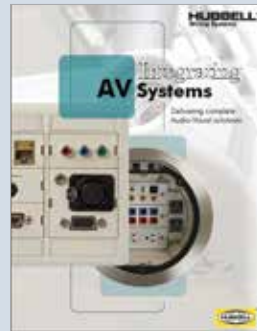


YOUR COMPLETE ONLINE RESOURCE

Find what you need quickly with our multi-functional online tools. Print, zoom, search and download product information and supportive literature—*anytime, anywhere.*



Flat Panel Connection Enclosure



Integrating AV Systems



AV 110 Everywhere™

HUBBELL®
Premise Wiring

www.hubbell-premise.com

