

INSTRUCTION/INSTALLATION SHEET

lyriQ™ Studio Local Source Input

IS-0421 REV. O

1. Introduction

The lyriQ™ Studio Local Source Input, PN AU5008-xx, is part of the lyriQ™ Multi-Room Audio System. It is a component which, when combined with other lyriQ™ components and your source equipment (receiver, CD player, etc.), helps create a flexible whole-house audio system that will fill your rooms with high-quality sound for years to come. Category 5 technology is an innovative method of providing high quality audio to remote locations with a single 8-conductor cable such as Cat 5e. This technology provides many advantages over other conventional methods of audio distribution such as simple, single Category 5 wiring scheme and infrared control of system components.

IMPORTANT: Read the manuals that are included with all associated lyriQ™ Audio products before installation of any single component! If you are unsure of any of the following installation procedures contact On-Q/Legrand Technical Support @ 1-800-321-2343 option 1 or contact an On-Q/Legrand installer.

- AU5008-WH (White)
- AU5008-LA (Lt. Almond)
- AU5008-TI (Titanium)
- AU5008-GB (Gloss Black)



Figure 1

2. Description

The lyriQ™ Studio Local Source Input allows the lyriQ™ Multi-Room Audio System to use “local” source inputs (up to 2 maximum) associated with any one volume control or audio zone. When used in conjunction with Studio Keypads, the lyriQ™ Studio Local Source Input can be chosen from the Keypad just as main sources are chosen. It is connected in series with the Keypad by simply connecting a run of Category 5 cable from a lyriQ™ Distribution Module zone to the “INPUT” RJ45 input jack on the rear of the Studio Local Source Input (see **Figure 2**), and connecting the “OUTPUT” RJ45 jack over Category 5 cable to the volume control. If two Local Sources are used, simply daisy-chain them OUTPUT to INPUT using the RJ45 jacks (see **Figure 3**). The Studio Local Source Input senses audio signals on its front side input RCA jacks. When a line level audio source is sensed (MP3 player, TV, or other), the local audio source can then be heard within the zone.

NOTE: Although Studio Keypads are able to select Studio Local Source Input #1 or #2 or any Main Source from the keypad and are also able to override an active local source, an active local source is initially sensed and switched to automatically.

NOTE: When using an MP3 player as the local source, insure its volume is turned up past 50% to make sure its output is detected by the lyriQ™ Studio Local Source Input.

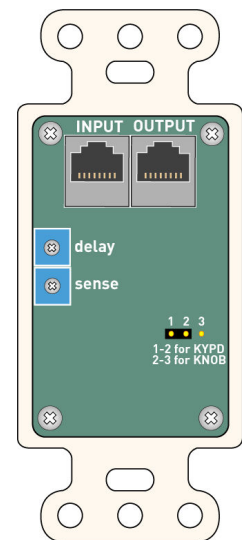


Figure 2

The LED on the front lights green to indicate that the Studio Local Source Input has switched over to the local audio source and that the source is active. It lights amber to indicate that it has switched over to the local audio source, but that the source is not active. It lights red to indicate that a main audio source has been switched through as an override to a connected local audio source regardless whether that main audio source is present or not. There is also a gain control on the front to allow attenuation/gain of the local audio signal. There are two potentiometers on the rear which are used to determine the sensitivity of the audio detect circuit that causes the Studio Local Source Input to switch to a local audio source, and to determine the time



301 Fulling Mill Road, Suite G
Middletown, PA 17057
Phone (800) 321-2343 / Fax (717) 702-2546
www.onqlegrand.com

INSTRUCTION/INSTALLATION SHEET

lyriQ™ Studio Local Source Input

IS-0421 REV. O

delay for switching back to the main audio source after the local audio source is no longer present.

NOTE: Clockwise rotation increases sensitivity and time delay, while Counter Clockwise rotation decreases sensitivity and time delay.

There is a jumper on the rear that determines whether the lyriQ™ Studio Local Source Input works in Knob mode or Keypad mode (see **NOTE** after Installation step B3).

NOTE: The lyriQ™ Studio Local Source Input, like other On-Q/Legrand lyriQ™ Audio system components, is powered by the On-Q/Legrand lyriQ™ Audio Distribution Module.

3. Installation

Installation of the On-Q lyriQ™ Studio Local Source Input is best accomplished in two steps during new construction, at “Rough-in” before the drywall is installed, and at “Trim-out” after the drywall is installed and painted.

NOTE: The On-Q/Legrand lyriQ™ Studio Local Source Input is typically mounted at electrical outlet height. Measure the height of the nearest box on the same wall that the lyriQ™ Studio Local Source Input will be installed and place the electrical back box at the same height. Position the cabling to maintain separation of any low voltage cable such as Category 5 from AC power wiring. Special applications, such as audio from a TV, entertainment center, or a computer, may require different heights including those above the chair rail, such as in the kitchen.

A. “Rough-in” steps:

1. Run Category 5 cable from the lyriQ™ Audio Distribution Module located in the Enclosure to the single gang box at the location that will contain the lyriQ™ Studio Local Source Input. Also run Category 5 cable from the single gang box that will contain the lyriQ™ Studio Local Source Input to the volume control location (or to the second lyriQ™ Studio Local Source Input and then to the volume control location).

NOTE: If optional 16/4 speaker cable is run with the Category 5 cable for potential upgrade to high performance keypads in the future (see *Figure 3 and 4*), it can be run directly from the enclosure to the volume control.

B. “Trim-out” steps:

NOTE: Always follow TIA-570-B and T568A wiring standards for installing and terminating Category 5 cable. Failure to follow the correct wiring standard could result in damaged equipment and/or electrical interference issues.

NOTE: Maintain a minimum 12” separation between Category 5 cable and any 120VAC cabling.

1. At the intended Studio Local Source Input location, pull the prewired Category 5 cable from the lyriQ™ Audio Distribution Module out of the single gang box and terminate it with an RJ45 plug and snap it into the RJ45 jack labeled “INPUT” on the rear (see *Figure 2*).
2. Pull the prewired Category 5 cable from the lyriQ™ Volume Control (or next Studio Local Source

INSTRUCTION/INSTALLATION SHEET lyriQ™ Studio Local Source Input

IS-0421 REV. O

Input) out of the single gang box and terminate it with an RJ45 plug and snap it into the RJ45 jack labeled "OUTPUT" on the rear (see **Figure 2**).

3. Insure the jumper on the rear is set to support Keypads (bridging pins 1 and 2) or moved to the Knob position (bridging pins 2 and 3) if using knob-style lyriQ™ volume controls.

NOTE: This jumper setting will have an impact on how the lyriQ™ Local Source Input operates. In Knob mode, it operates similar to the standard Local Source Input (P/N F7417). When an active local audio source is sensed, it switches to that source for the local lyriQ™ Knob Volume Control, and when that source goes inactive, it switches back to the main source (after the adjustable delay). When in Keypad mode, operation depends upon whether it is attached to a Classic lyriQ™ Keypad or a lyriQ™ Studio Keypad. If attached to a Classic lyriQ™ Keypad, it acts the same as if in Knob mode. If it is attached to a lyriQ™ Studio Keypad, it now responds to a "switch to Studio Local Source #1 or #2" button push on the Studio Keypad for support of selectable local audio source inputs.

4. Mounting: Use the included screws to install the lyriQ™ Studio Local Source Input into the single gang box and use a standard Decorator style or Studio style wall plates.

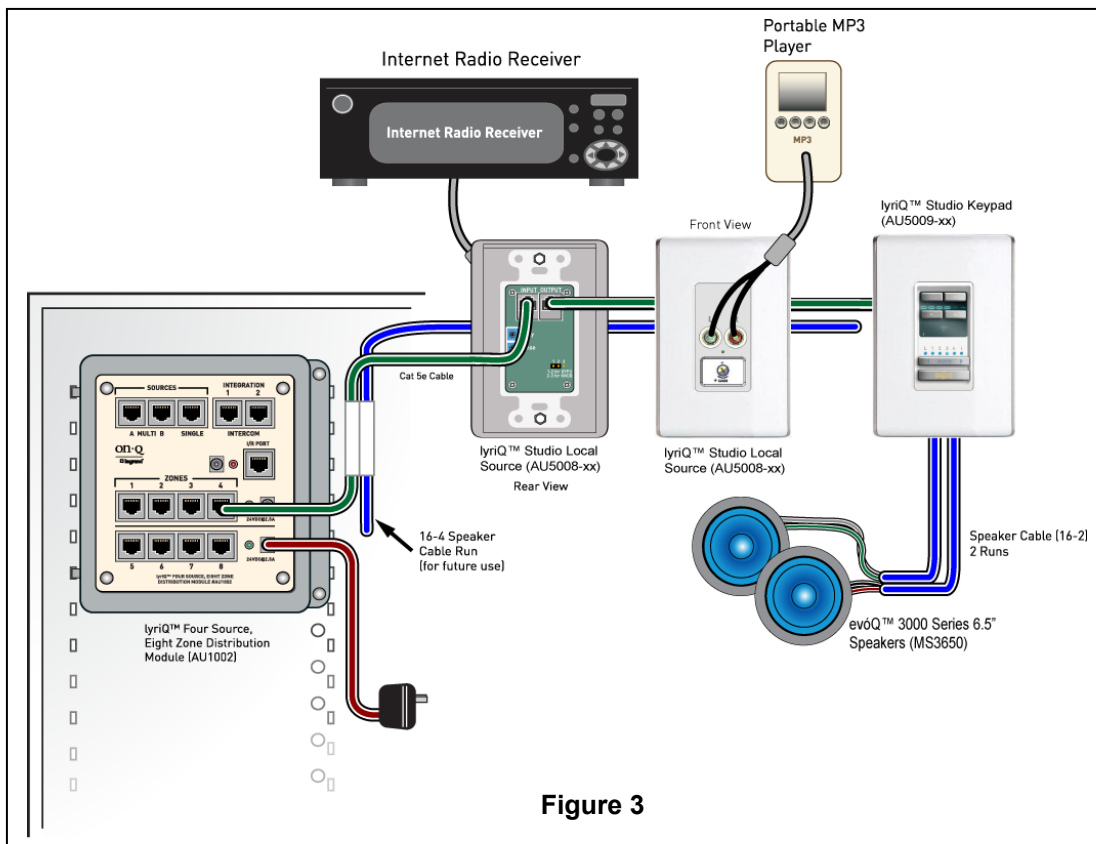


Figure 3

NOTE: Insure there is not excessive strain on the Category 5 cable when mounting the lyriQ™ Studio Local Source Input.

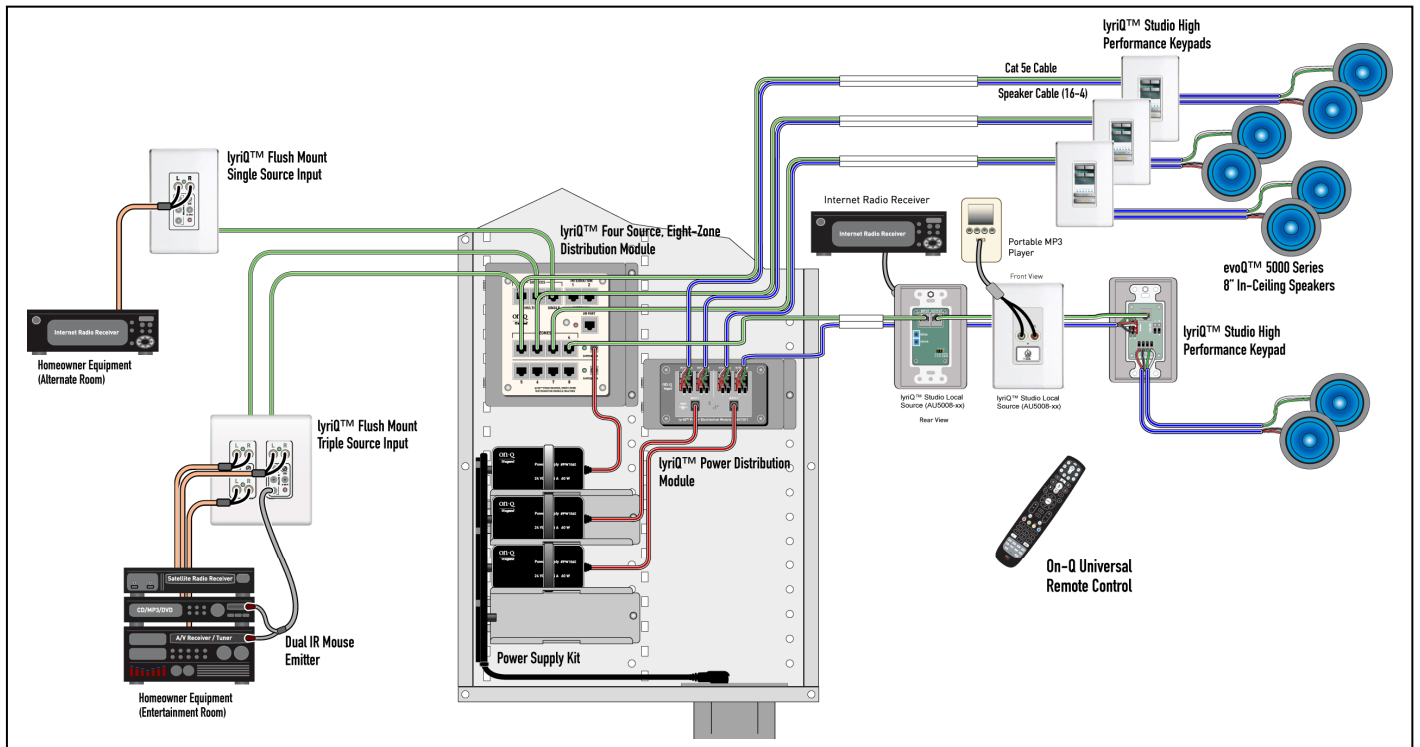


Figure 4

4. Important Safety Precautions:

READ ALL INSTRUCTIONS CAREFULLY BEFORE INSTALLING THE lyriQ™ AUDIO SYSTEM.

- **Do not** attempt to service, move or change any component of this system unless you are qualified to do so.
- This system should be installed by a qualified installer and must conform to all local building and electrical codes.
- **Do not** apply power to the lyriQ™ Audio System until all components have been installed and all wiring has been properly terminated.
- **Do not** attempt to terminate, change or un-install any wiring without first turning off power to the lyriQ™ Audio System which is located in the enclosure. Unplug the power transformer that is powering the lyriQ™ Audio System from the power outlet before proceeding with wiring terminations or changes.
- Install each component of this system away from heat sources such as HVAC ducts/registers, stoves or any other heat source.
- **Do not** expose any component that was designed for indoor use to moisture. Doing so can create electrical hazards or render the component unusable. Exposure to moisture will also void the warranty on the system.
- Only use a damp cloth to clean the cover plates of the system components. Do not use vacuum cleaners, liquid or aerosol cleaners.