
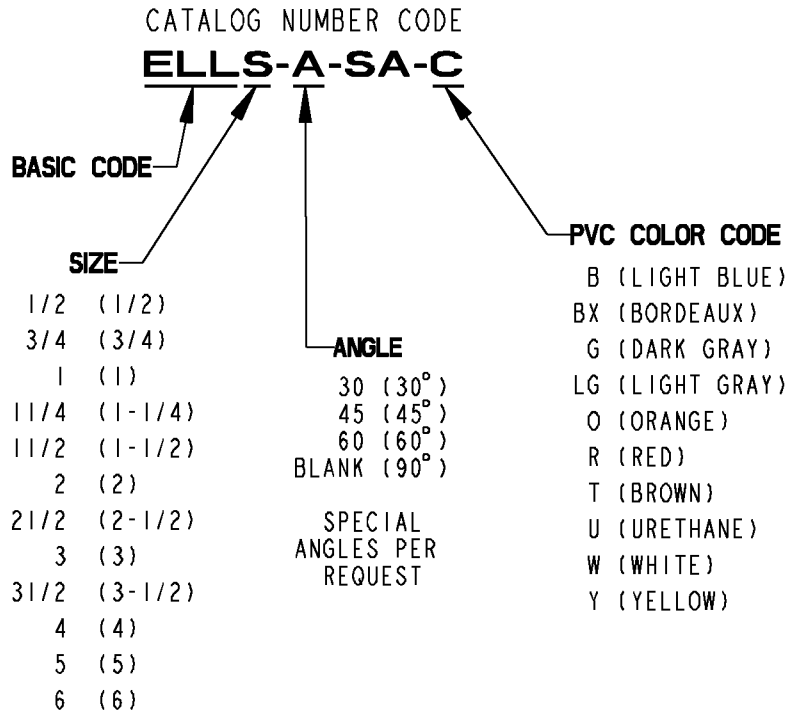


NOTES:

1. ELBOW/CONDUIT IS PVC COATED ALUMINUM PIPE.
2. BLUE URETHANE COATING ON INTERIOR OF CONDUIT, .002" (2 MIL) NOMINAL.
3. PVC COATING ON EXTERIOR OF CONDUIT, .040" (40 MIL) MINIMUM.
4. BLUE URETHANE COATING OVER THREADS.
5. COLOR CODED THREAD PROTECTORS ON EACH END.

GENERAL NOTES		 www.tnb.com			
1. ALL DIMENSIONS ARE FOR REFERENCE ONLY. 2. DIMENSIONS IN BRACKETS [] ARE IN METRIC UNITS.					
REVISIONS		DESCRIPTION: PVC COATED STANDARD ELBOW			
- SEE ERN ***** FOR APPROVAL SIGNATURES & RELEASE DATE. PROJECT NO: *****		ORIGINAL PROJECT NO / (ERN NO)	SHEET NO:	REV. NO:	DRAWING NO:
		RM401877 / (2011409)	1 OF 3	-	WSD-000552

CATALOG NUMBER	TRADE SIZE	OUTSIDE DIAMETER WITH PVC	WALL THICKNESS WITH PVC	COLOR THREAD PROTECTOR
ELL1/2...	1/2 [16]	.920 [23.4]	.144 [3.65]	BLACK
ELL3/4...	3/4 [21]	1.130 [28.7]	.147 [3.73]	RED
ELL1...	1 [27]	1.395 [35.4]	.166 [4.21]	BLUE
ELL11/4...	1-1/4 [35]	1.740 [44.2]	.173 [4.39]	RED
ELL11/2...	1-1/2 [41]	1.980 [50.3]	.178 [4.52]	BLACK
ELL2...	2 [53]	2.455 [62.4]	.186 [4.72]	BLUE
ELL21/2...	2-1/2 [63]	2.955 [75]	.233 [5.92]	BLACK
ELL3...	3 [78]	3.580 [90.9]	.245 [6.22]	BLUE
ELL31/2...	3-1/2 [91]	4.080 [103.6]	.255 [6.48]	BLACK
ELL4...	4 [103]	4.580 [116.3]	.295 [7.49]	BLUE
ELL5...	5 [129]	5.643 [143.3]	.285 [7.24]	BLUE
ELL6...	6 [155]	6.705 [170.3]	.306 [7.77]	BLUE



Thomas & Betts
www.tnb.com

DESCRIPTION:

PVC COATED STANDARD ELBOW

SHEET NO:

2 OF 3

REV. NO:

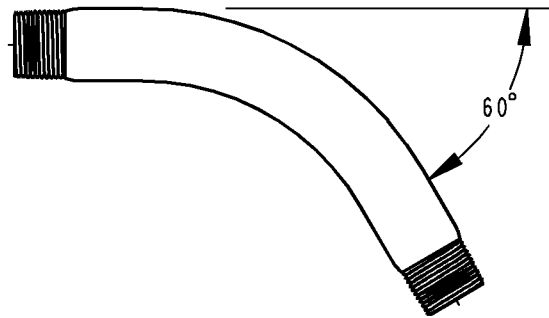
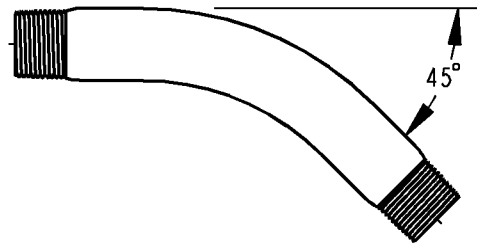
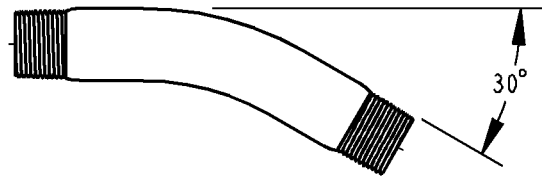
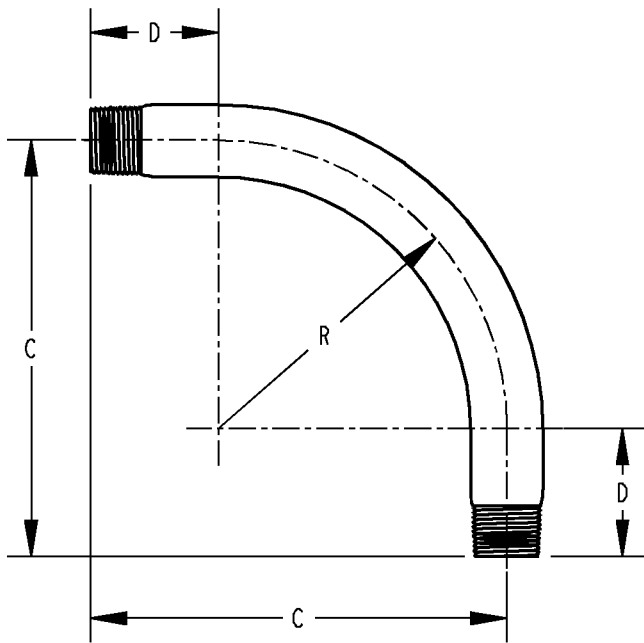
-

DRAWING NO:

WSD-000552

CATALOG NUMBER	TRADE SIZE	RADIUS "R"	OFFSET "C"	STRAIGHT END "D"
ELL1/2...	1/2 [16]	4.00 [101.60]	6.00 [152.40]	2.00 [50.80]
ELL3/4...	3/4 [21]	4.50 [114.30]	6.50 [165.10]	2.00 [50.80]
ELL1...	1 [27]	5.75 [146.05]	8.00 [203.20]	2.25 [57.15]
ELL1 1/4...	1-1/4 [35]	7.25 [184.15]	9.50 [241.30]	2.25 [57.15]
ELL1 1/2...	1-1/2 [41]	8.25 [209.55]	11.00 [279.40]	2.75 [69.85]
ELL2...	2 [53]	9.50 [241.30]	13.00 [330.20]	3.50 [88.90]
ELL2 1/2...	2-1/2 [63]	10.50 [266.70]	14.00 [355.60]	3.50 [88.90]
ELL3...	3 [78]	13.00 [330.20]	16.50 [419.10]	3.50 [88.90]
ELL3 1/2...	3-1/2 [91]	15.00 [381.00]	20.75 [527.05]	5.75 [146.05]
ELL4...	4 [103]	16.00 [406.40]	21.75 [552.45]	5.75 [146.05]
ELL5...	5 [129]	24.00 [609.60]	31.00 [787.40]	7.00 [177.80]
ELL6...	6 [155]	30.00 [762.00]	39.00 [990.60]	9.00 [228.60]

OFFSET "C" APPLICABLE ONLY TO 90° ELBOW.



Thomas & Betts
www.tnb.com

DESCRIPTION:

PVC COATED STANDARD ELBOW

SHEET NO:

3 OF 3

REV. NO:

-

DRAWING NO:

WSD-000552