

NIBCO® Press System® Lead-Free* Brass Ball Valves

Features: press ends leak detection • two-piece body • PTFE seats • full port • blowout-proof stem

Approvals: IAPMO/ANSI Z1157 • NSF/ANSI-61 & 372 • MSS SP-145 • conform to ASME B16.51†

Size Range: 1/2" - 2"

Pressure rating: 200 PSI non-shock cold working pressure

Maximum pressure / temperature: 200 PSI at 200° F

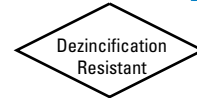
Lead-Free* markings:

White handle and blue hang tag

Applications: drinking water • domestic hot & cold water • HVAC (condensors, chilled water, hot water heating) • isolation & throttling (half-open to full-open only) • connect to rigid copper tubing manufactured per ASTM B88, condition H (hard drawn)

Reference Press System catalog for updated Approved Tool and Jaw Compatibility Matrix list.

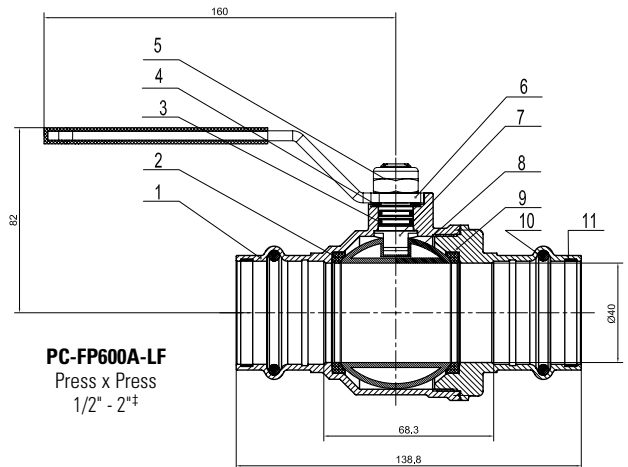
Not compatible with annealed (dead soft) copper tubing.
Not intended for gas use.



PC-FP600A-LF

Press x Press
1/2" - 2"
(Patent Pending sizes 1-1/4" - 2")

MATERIAL LIST	
PART	SPECIFICATION
1. Body	Forged DZR Copper Alloy - C46500
2. Seat Seal	PTFE
3. O-ring	EPDM - ASTM D2000
4. Washer	PTFE
5. Lock Nut	Stainless Steel + Nylon
6. Handle	Steel, Plated
7. Stem	Brass
8. Ball	Chrome Plated Brass - C46500 (1/2"-1") Stainless Steel 316 (11/4"-2")
9. End Cap	Forged DZR Copper Alloy - C46500
10. O-ring	EPDM - ASTM D2000
11. Metal Ring	Stainless Steel (1-1/4"-2")‡



PC-FP600A-LF
Press x Press
1/2" - 2"‡

Options:

- Extended lever
- EPDM Seal for Press Ends



Handle Markings

DIMENSIONS—WEIGHTS—QUANTITIES

SIZE		A		B		C		D		E		Weight	
In.	mm.	In.	mm.	In.	mm.	In.	mm.	In.	mm.	In.	mm.	Lbs.	Kg.
1/2	15	2.874	73	3.661	93	1.378	35	0.591	15	1.299	33	0.377	0.171
3/4	20	3.445	87.5	4.173	106	2.087	53	0.787	20	1.634	41.5	0.732	0.332
1	25	3.642	92.5	4.173	106	2.244	57	0.984	25	1.831	46.5	1.003	0.455
1-1/4‡	32	4.448	113	4.606	117	2.500	63.5	1.386	35.20	2.21	56	1.7	0.772
1-1/2‡	40	5.315	135	6.259	159	3.012	76.5	1.636	41.56	2.54	64.5	2.4	1.076
2‡	50	6.535	166	6.259	159	3.228	82	2.137	54.28	3.23	82	4	1.802

IAPMO/ANSI Z1157: in addition to meeting ICG-157 test requirements, the IAPMO/ANSI Z1157 also requires Press ends to be fully tested to IAPMO PS-117 performance requirements which includes the following additional tests:

1. Unrestrained Hydrostatic Pressure Test at 20 °C (68°F)
2. Unrestrained Hydrostatic Pressure Test at 93 °C (200°F)
3. Static Torsion Test for Press Connections
4. Bending Test
5. Vacuum Test
6. Hydraulic Shock (Water Hammer) Test
7. Vibration Test
8. Thermal Cycling Test
9. Alternate Thermal Cycling Test
10. Dynamic Torsion Test for Press Connections

*Weighted average lead content ≤ 0.25%

† Tested to the performance criteria of ASME B16.51

‡ Patent Pending

NIBCO® Press System® Lead-Free* Brass Ball Valves

Features: press ends leak detection • two-piece body • PTFE seats • full port • blowout-proof stem

Approvals: IAPMO/ANSI Z1157 • NSF/ANSI-61 & 372 • MSS SP-145 • conform to ASME B16.51†

Size Range: 2 1/2" - 4"

Pressure rating: 200 PSI non-shock cold working pressure

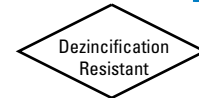
Maximum pressure / temperature: 200 PSI at 200° F

Lead-Free* markings:
White handle and blue hang tag

Applications: drinking water • domestic hot & cold water • HVAC (condensors, chilled water, hot water heating) • isolation & throttling (half-open to full-open only) • connect to rigid copper tubing manufactured per ASTM B88, condition H (hard drawn)

Reference Press System catalog for updated Approved Tool and Jaw Compatibility Matrix list.

Not compatible with annealed (dead soft) copper tubing.
Not intended for gas use.

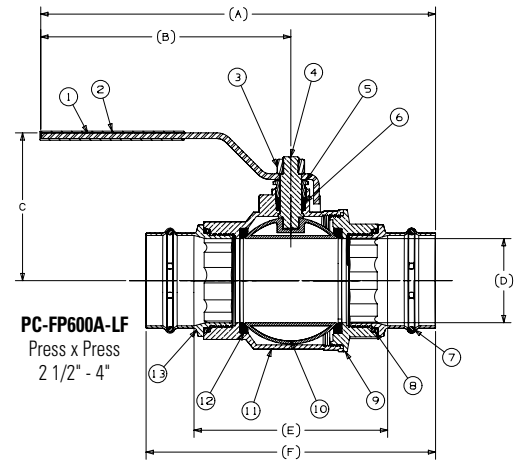


PC-FP600A-LF

Press x Press
2 1/2" - 4"

MATERIAL LIST

PART	SPECIFICATION
1 Handle	Steel Plated
2 Handle Cover	PVC
3 Handle Lock Nut	Steel
4 Stem	Brass/Bronze
5 Packing Nut	Brass/Bronze
6 Packing	PTFE
7 Leak Detection O-ring	EPDM - ASTM D2000
8 O-ring, Boss Seal	EPDM - ASTM D2000
9 Body End	Brass/Bronze
10 Ball	Stainless Steel
11 Body	Brass/Bronze
12 Ball Seat Seal	PTFE
13 Press End Adaptor w/Leak Detection	ASTM B75 Alloy C12200



Options:

- Extended lever
- EPDM Seal for Press Ends



Handle Markings

DIMENSIONS—WEIGHTS—QUANTITIES

SIZE		A		B		C		D		E		F		Weight	
In.	mm.	In.	mm.	In.	mm.	In.	mm.	In.	mm.	In.	mm.	In.	mm.	Lbs.	Kg.
2 1/2"	15	13.07	332	8.66	220	4.8	121.9	2.52	64	5.88	149.3	8.81	223.7	9.55	4.33
3	20	13.67	347.2	8.66	220	5.12	130	2.91	73.9	6.71	170.4	10.03	261.6	13.07	5.93
4	25	15.87	403.1	9.61	244.1	5.98	151.9	3.9	99	8.21	208.5	12.53	318.2	26.32	11.94

IAPMO/ANSI Z1157: in addition to meeting ICG-157 test requirements, the IAPMO/ANSI Z1157 also requires Press ends to be fully tested to IAPMO PS-117 performance requirements which includes the following additional tests:

- | | |
|--|--|
| 1. Unrestrained Hydrostatic Pressure Test at 20 °C (68°F) | 6. Hydraulic Shock (Water Hammer) Test |
| 2. Unrestrained Hydrostatic Pressure Test at 93 °C (200°F) | 7. Vibration Test |
| 3. Static Torsion Test for Press Connections | 8. Thermal Cycling Test |
| 4. Bending Test | 9. Alternate Thermal Cycling Test |
| 5. Vacuum Test | 10. Dynamic Torsion Test for Press Connections |

*Weighted average lead content ≤ 0.25%
†Tested to the performance criteria of ASME B16.51