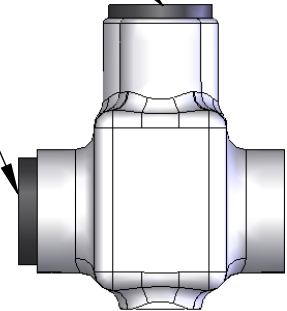
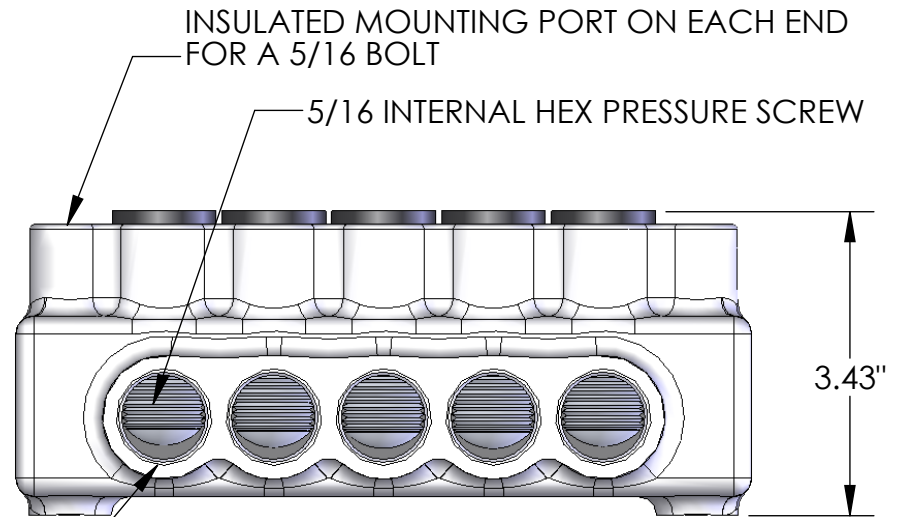
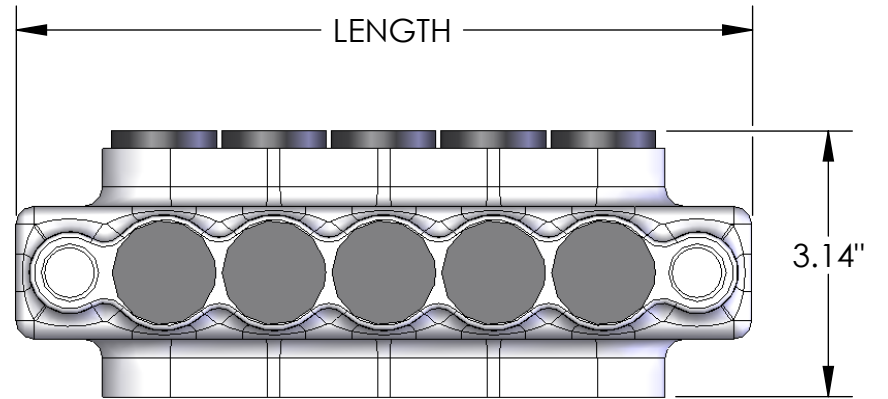


REMOVABLE CAP TO TIGHTEN SCREW (REPLACE WHEN COMPLETE)

REMOVABLE CAP FOR DUAL ENTRY (INSERT IN OTHER SIDE)



WIRE ENTRY POINT  
WIRE RANGE: 600MCM - #6AWG  
PRE-FILLED W/ OXIDE INHIBITOR



IPLMD600-5 SHOWN

PART NUMBER	NO. OF PORTS	LENGTH
IPLMD600-3	3	5.80
IPLMD600-4	4	7.10
IPLMD600-5	5	8.40
IPLMD600-6	6	9.70
IPLMD600-8	8	12.30

NOTES:

1. CONNECTOR MANUFACTURED FROM 6061-T6 ALUMINUM ALLOY.
2. UL LISTED PER UL486A/B SPECIFICATIONS FOR 600V.
3. DUAL RATED FOR 90°C COPPER AND/OR ALUMINUM CONDUCTOR.
4. COLD TEMPERATURE RATED TO -45°C.
5. HIGH DIELECTRIC STRENGTH INSULATION IS ABRASION AND CHEMICAL RESISTANT
6. UV RATED

		<b>POLARIS</b> SALES . CO . INC	
PROPRIETARY AND CONFIDENTIAL		11625 PROSPEROUS DRIVE ODESSA, FL 33556	
THE INFORMATION CONTAINED IN THIS DRAWING IS THE SOLE PROPERTY OF POLARIS SALES CO. INC. ANY REPRODUCTION IN PART OR AS A WHOLE WITHOUT THE WRITTEN PERMISSION OF POLARIS SALES CO. INC. IS PROHIBITED.		<b>TITLE:</b> INSULATED MOUNTED DUAL ENTRY 600 CONNECTOR	
NAME	DATE	<b>DWG. NO.</b> IPLMD600-	
DRAWN BY L. HILL	8-6-09		
<b>MATERIAL:</b> N/A		<b>SCALE:</b> N/A	<b>SHEET:</b> 1 OF 1