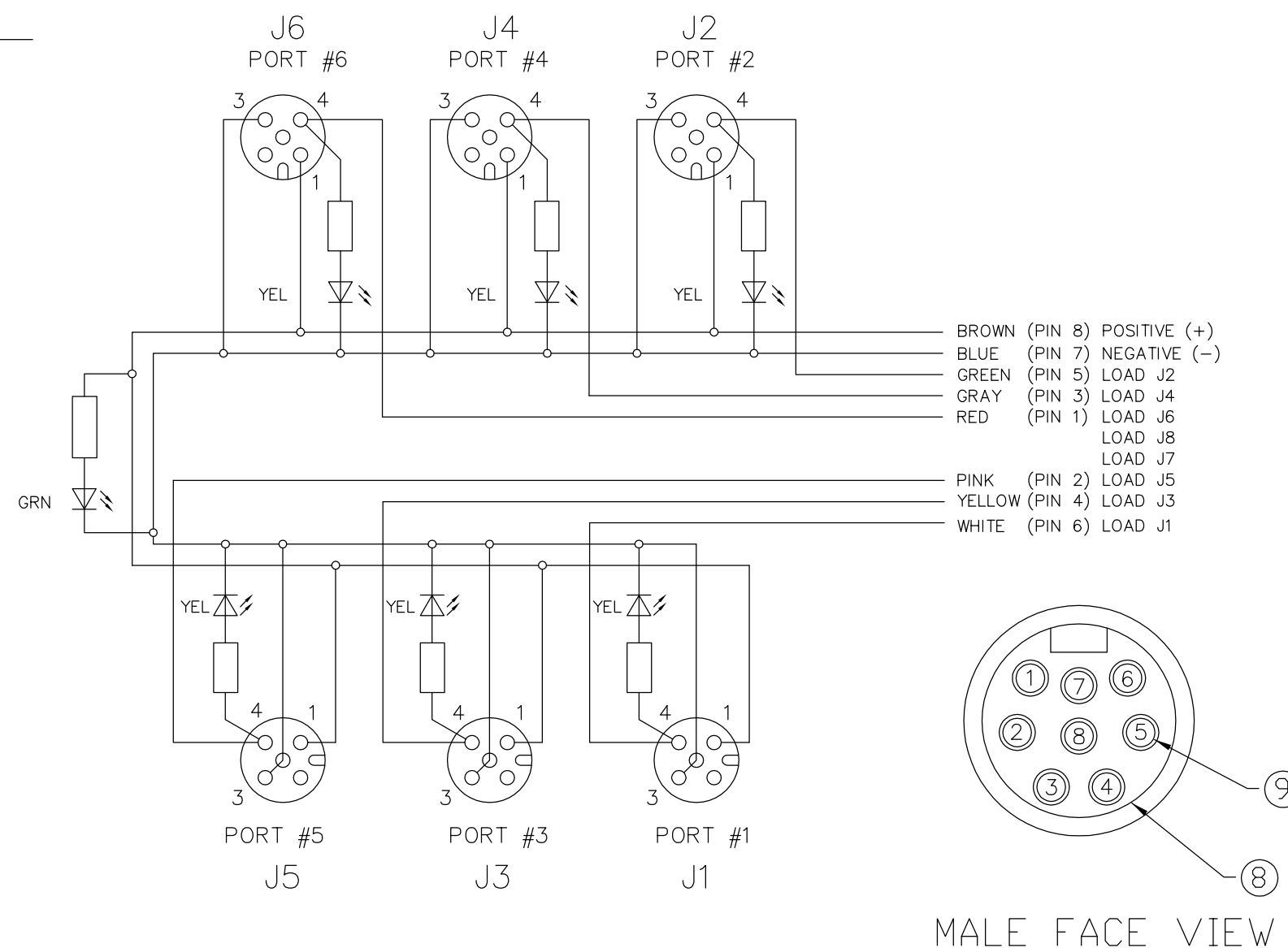
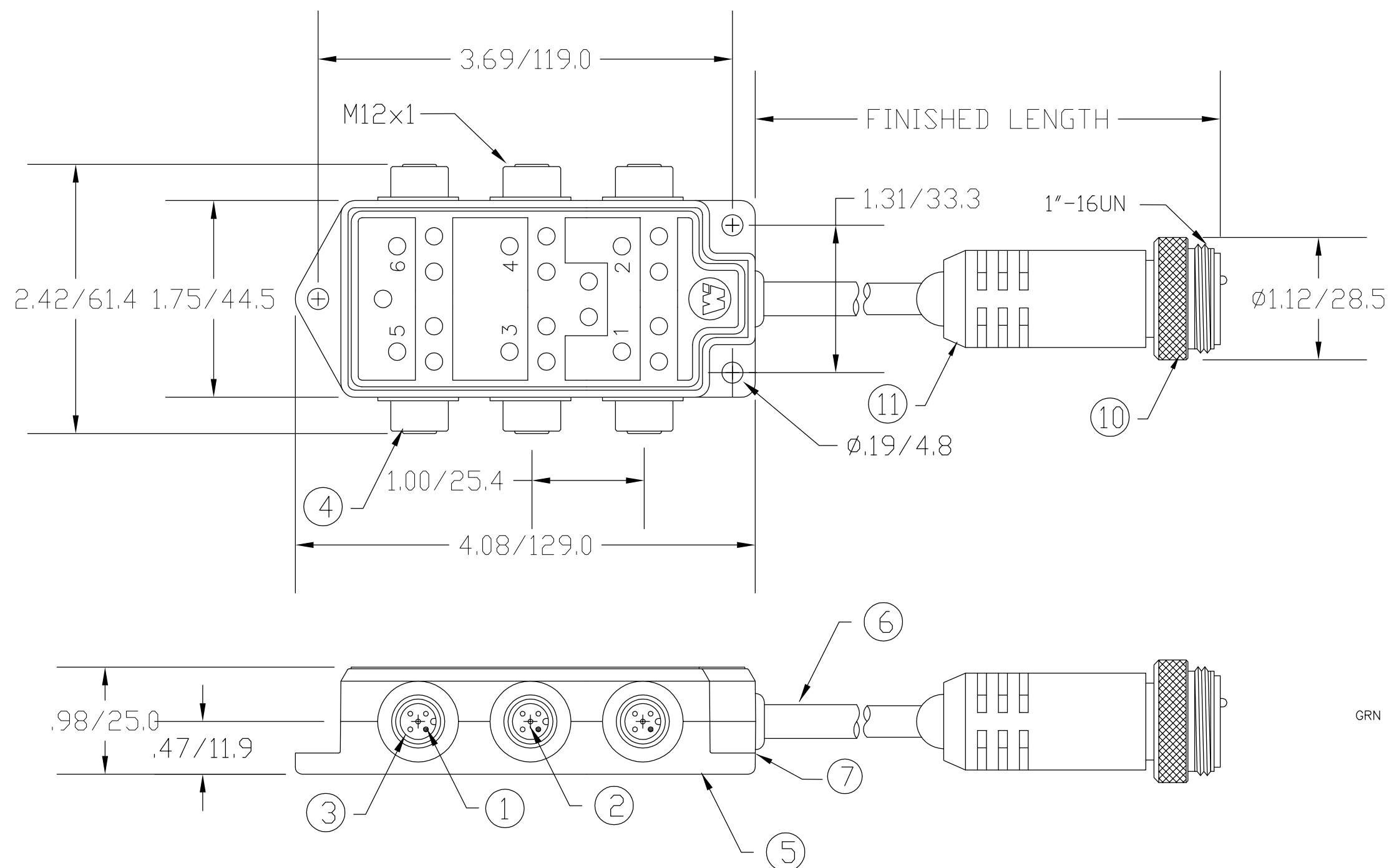


MATERIAL NUMBER	OLD PART NUMBER	FINISHED LENGTH
120115-0050	803P602	1.00' +.75" -0 [.3M +19.1 -0]



ITEM	COMPONENT	MATERIAL	FINISH
1	INSERT	NYLON	BLACK
2	CONTACT SOCKET	COPPER ALLOY	GOLD OVER NICKEL
3	O-RING	NITRILE	RED
4	RECEPTACLE SHELL	ZINC DIE CAST	BLACK E-COATED
5	HOUSING	NYLON	YELLOW
6	CABLE- 18AWG, (41 X #34), 1 CONDUCTOR; 22 AWG (26 x #36), 7 CONDUCTOR, 300V	PVC	YELLOW
7	GROMMET	NITRILE	BLACK
8	INSERT	PVC	YELLOW
9	CONTACT PIN	COPPER ALLOY	GOLD OVER NICKEL
10	COUPLING NUT	ZINC DIE CAST	BLACK E-COATED
11	OVERMOLD	PVC	YELLOW

VOLTAGE RATING	10-30 VDC
AMPERAGE RATING PER PORT	4 AMPS
PROTECTION	IP67
OPERATING TEMPERATURE	-20°C TO 90°C

RLSO DRAWING EC NO: WNA2010-0139 DRWN: BWOODMAN 8/27/09 CH'KD: JM APPR: JFMURPHY 2009/08/31	QUALITY SYMBOL	GENERAL TOLERANCES (UNLESS SPECIFIED)	DIMENSION STYLE	SCALE	DESIGN UNITS	THIRD ANGLE PROJECTION
	$\nabla=0$ $\sphericalangle=0$	4 PLACES ±--- 3 PLACES ±--- 2 PLACES ±--- 1 PLACE ±0.3	IN/MM	---	---	
	DESCRIPTION	ANGULAR ±---°	DRAWN BY	DATE	TITLE	
	REV	DRAFT WHERE APPLICABLE MUST REMAIN WITHIN DIMENSIONS	BW	2009/08/27	MICRO-CHANGE MPIS 6 PORT SIDE MOUNT PNP MC 8P M/MP PVC	
		LH	2009/08/27	MOLEX INCORPORATED		
		JFMURPHY	2009/08/28	SEE CHART	SD-120115-008	SHEET NO. 1 OF 1
				THIS DRAWING CONTAINS INFORMATION THAT IS PROPRIETARY TO MOLEX INCORPORATED AND SHOULD NOT BE USED WITHOUT WRITTEN PERMISSION		