

# Waterhill® Technical Specification

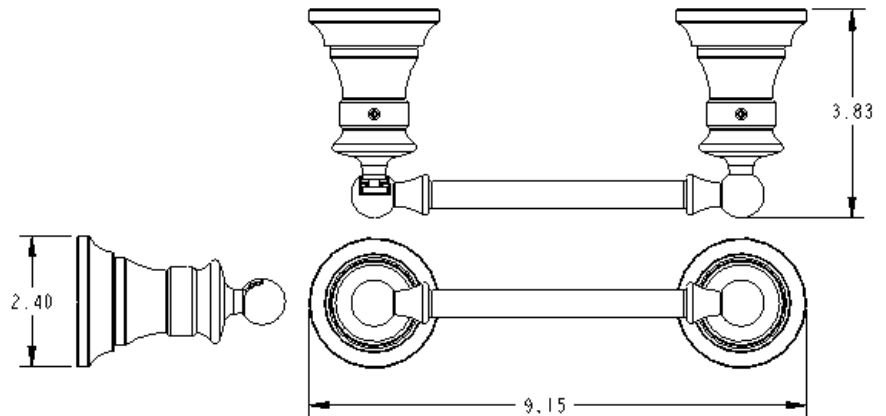
## Paper Holder

# YB9808

### Stock Numbers:

- **YB9808CH** – Paper Holder  
Chrome Finish
- **YB9808BN** – Paper Holder  
Brushed Nickel Finish
- **YB9808WR** – Paper Holder  
Wrought Iron Finish
- **YB9808NL** – Paper Holder  
Nickel Finish
- **YB9808ORB** – Paper Holder  
Oil Rubbed Bronze

### Dimensions:



### Materials:

Paper Holder is constructed of zinc.

### Installation Instructions:

1. Position the mounting template on the wall in the desired location. Using a level, align the template and tape it to the wall.
2. Remove each mounting post from the body by loosening the setscrew.
3. Place each mounting post on the template with notch facing down.
4. One at a time, place each anchor screw through the mounting post, centered in the hole. Using a Phillips screwdriver, turn the anchor screw while applying pressure. Screw will self drill and tap into dry wall.
5. Only insert screw  $\frac{1}{2}$  to  $\frac{3}{4}$  into wall.
6. After all screws are installed, tear the template away from the wall.
7. Tighten all 4 screws. Do not over tighten.
8. Place skirt over each mounting post.
9. Place each post over the mounting plate (setscrew down). Pivoting post with bar to be on left side. Tighten both setscrews.

### Cleaning Instructions:

To preserve the fine finish of this product, clean only with a soft damp cloth. Dry well. Do not use commercial or abrasive cleaners.

**Stock Number:** \_\_\_\_\_ Paper Holder  
By Creative Specialties



25300 AL MOEN DRIVE • NORTH OLMSTED, OH 44070  
CORPORATE HEADQUARTERS: (800) 321-8809 • FAX: (800) 848-6636  
INTERNATIONAL: (440) 962-2000 • FAX: (440) 962-2726  
CUSTOMER SERVICE (USA): 800-882-0116 • FAX: (888) 379-2720  
WWW.MOEN.COM

©Copyright Creative Specialties International

Literature #BA1186