

Kingsley® Technical Specification

Tank Lever

YB5401

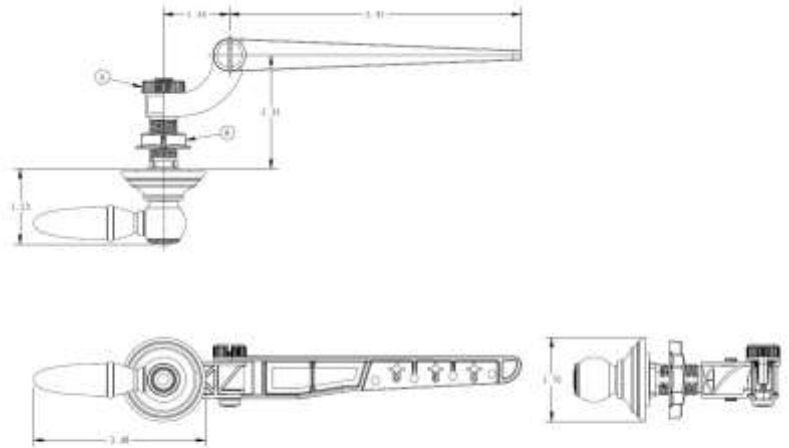
Stock Numbers:

- ❑ **YB5401AN – Tank Lever**
Antique Nickel Finish
- ❑ **YB5401AZ – Tank Lever**
Antique Bronze Finish
- ❑ **YB5401BN / Y5401BN – Tank Lever**
Brushed Nickel Finish
- ❑ **YB5401CH – Tank Lever**
Chrome Finish
- ❑ **YB5401PB – Tank Lever**
Polished Brass Finish
- ❑ **YB5401ORB – Tank Lever**
Oil Rubbed Bronze Finish
- ❑ **YB5401WR – Tank Lever**
Wrought Iron Finish

Materials:

Tank Lever is constructed of zinc. The arm mechanism is constructed of plastic.

Dimensions:



Installation Instructions:

1. Remove existing tank lever.
2. Remove the arm mechanism from the new tank lever by loosening nut (A).
3. Unscrew the tank nut (B). The thread for the tank nut is a left handed thread.
4. Position the new tank lever through the tank hole. The tank lever handle should be pointing away from the toilet bowl.
5. Tighten nut (B). Depending on the curvature of the tank, there might be a slight gap between the outside of the tank and the base of the lever.
6. Place the arm mechanism on the tank lever post. Adjust the arm up or down as needed. Tighten nut (A) to secure the arm in place.
7. Adjust the arm mechanism from side to side as needed. Make sure the arm does not come into contact with the tank wall or the flush mechanism. Tighten screw (A) to lock the arm in place.
8. Attach the flapper valve chain to one of the provided slots on the arm. Be sure to eliminate any slack in the chain.
9. Make sure no water is leaking through the flapper when the handle is in its normal position (not flushing)

Cleaning Instructions:

To preserve the fine finish of this product, clean only with a soft damp cloth. Dry well. Do not use commercial or abrasive cleaners.

Stock Number: _____ **Tank Lever**
By Creative Specialties



25300 AL MOEN DRIVE • NORTH OLMSTED, OH 44070
CORPORATE HEADQUARTERS: (800) 321-8809 • FAX: (800) 848-6636
INTERNATIONAL: (440) 962-2000 • FAX: (440) 962-2726
CUSTOMER SERVICE (USA): 800-882-0116 • FAX: (888) 379-2720
WWW.MOEN.COM

©Copyright Creative Specialties International

Literature # BA1218