

Model Number	Faucet Holes	Depth-Inches L, R	Drain Placement
G20256 (pictured)	N/A	7-1/2"	Center



### SINK DESCRIPTION

- 2000 Series double bowl undermount sink
- 20 gauge stainless steel, matte bowl finish
- Mounting brackets included, no other hardware included
- SoundSHIELD™ sound absorbing system

### WARRANTY

- Lifetime limited warranty to the original homeowner
- 10 year limited warranty when used in a Multi-family installation
- 5 year limited warranty when used in a Commercial installation
- Visit [www.moen.com/customer-support/warranty](http://www.moen.com/customer-support/warranty) for complete details and limitations

### SINK DIMENSIONS

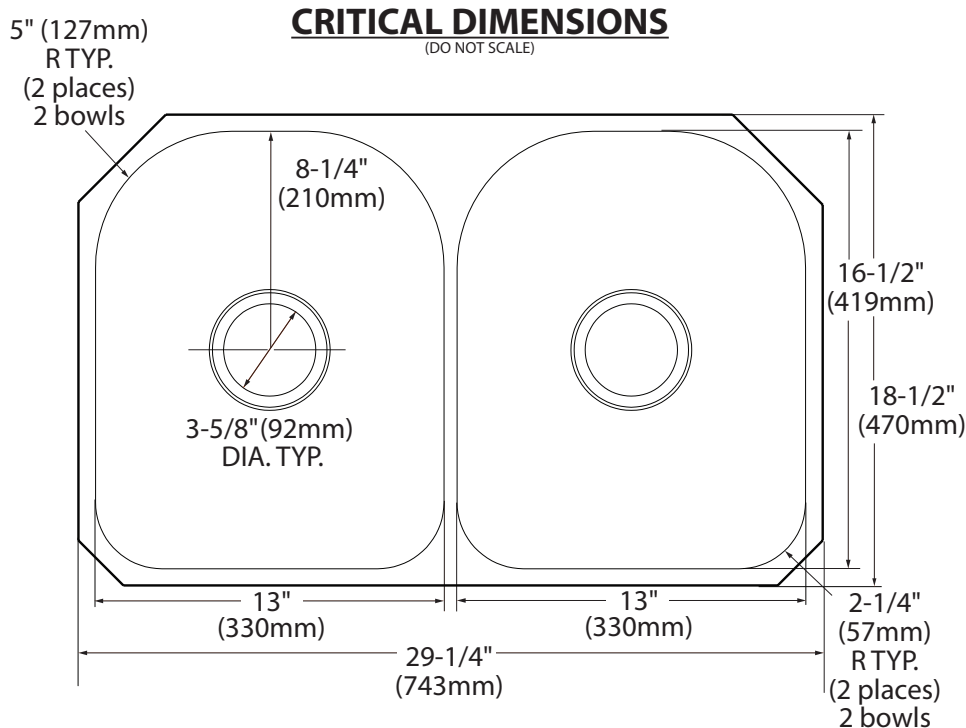
- Overall: 29-1/4" x 18-1/2"
- Left Bowl: 13" x 16-1/2"
- Right Bowl: 13" x 16-1/2"
- Drain Size: 3-5/8"

### CUT OUT DIMENSIONS

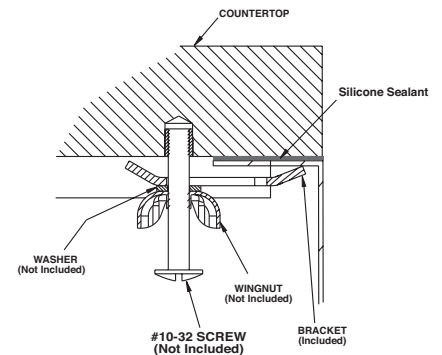
- Cut out template included
- Template ordering number 22524

### STANDARDS

- Third party certified to meet ASME A112.19.3/CSA B45.4 and all applicable specifications referenced therein



### Installation Detail



MADE IN THE USA