

Sienna® Technical Specification

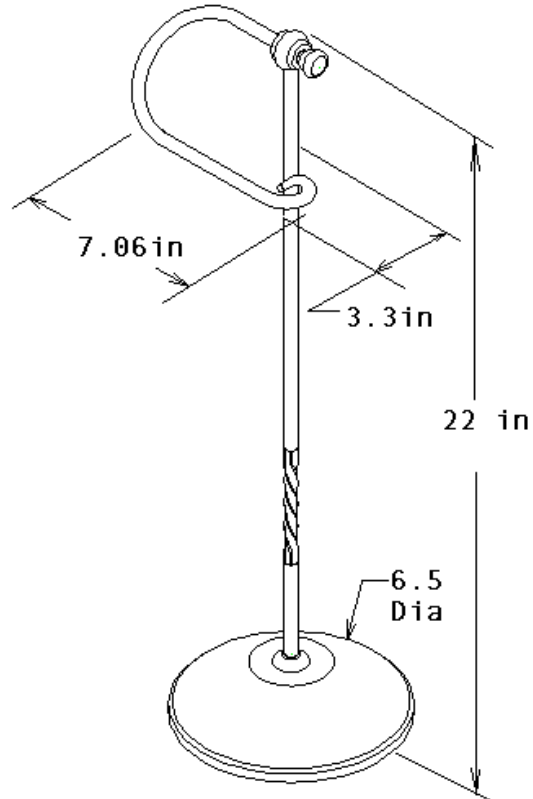
Free Standing Paper Holder

DN4950

Stock Numbers:

- DN4950BK – Free Standing Paper Holder
Black Finish

Dimensions:



Materials:

Free Standing Paper Holders are constructed of wrought iron. Black finish is powder coated.

Installation Instructions:

1. Assemble arm to vertical support by screwing together.
2. Assemble base to vertical support by screwing together.

Cleaning Instructions:

To preserve the fine finish of this product, clean only with a soft damp cloth. Dry well. Do not use commercial or abrasive cleaners.

Stock Number: _____ Free Standing Paper Holder
By Creative Specialties



25300 AL MOEN DRIVE • NORTH OLMSTED, OH 44070 (800) 321-8809 •
FAX: (800) 848-6636 • INTERNATIONAL: (440) 962-2000 •
FAX: (440) 962-2726 CUSTOMER SERVICE (USA): 800-882-0116
WWW.MOEN.COM

©Copyright Creative Specialties International

Literature #BA1100