



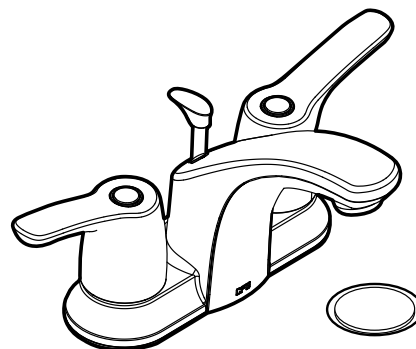
A Moen Incorporated Brand

Models:
CA42211 series with 50/50 waste
CA42213 series less waste

Baystone™



NSF UPC®



Two Handle Lavatory

DESCRIPTION

- Metal construction with various finishes identified by suffix
- Includes 50/50 pop-up waste assembly where noted.
- 1/2" IPS connections
- Six (6) individual boxes per master carton

OPERATION

- Lever-style handle
- Hot side: Turn counterclockwise to open (clockwise to close)
- Cold side: Turn clockwise to open (counterclockwise to close)
- Will operate with less than 5 lbs. of torque
- No grasping motion required to operate the faucet handle
- Features red/blue hot/cold temperature indicators

FLOW

- Water usage is limited to these maximum flow rates as indicated by the corresponding product markings
 - 1.2 gpm max (4.5L/min) at 60 psi
 - 1.5 gpm max (5.7L/min) at 60 psi

CARTRIDGE

- Ceramic disc technology
- Non-metallic, non-ferrous, and brass material
- Single body construction for easy replacement

STANDARDS

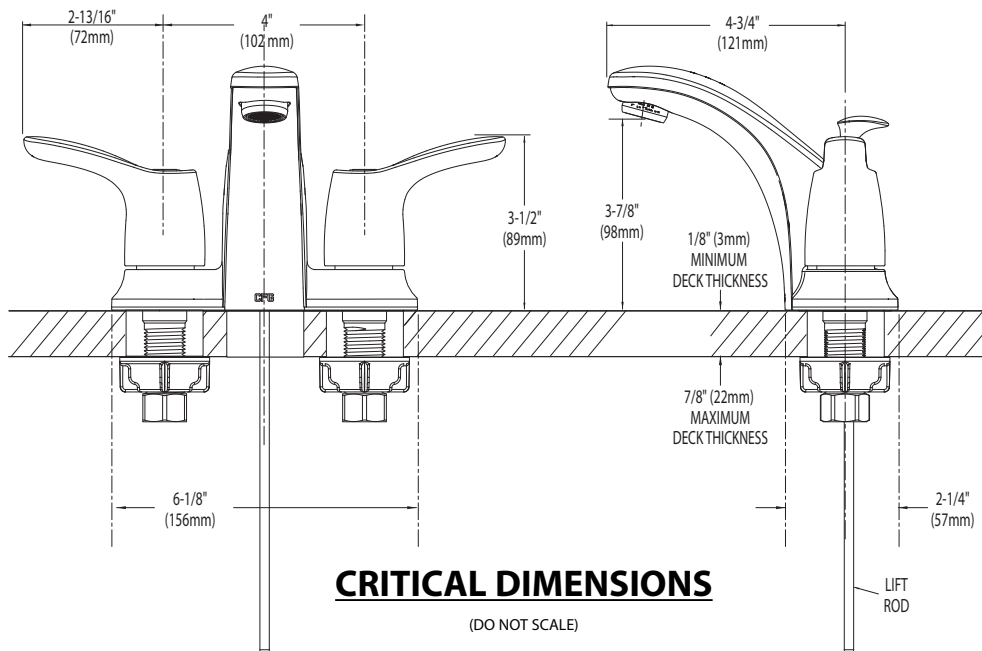
- Third party certified to WaterSense,® ASME A112.18.1/CSA B125.1, and all applicable requirements referenced therein
- Certified to NSF 61/9 & 372
- Products marked with 1.2 gpm are compliant with California water efficiency regulations
- Complies with California Proposition 65 and with the Federal Safe Drinking Water Act
- ADA for lever handles

WARRANTY – RESIDENTIAL, COMMERCIAL

- Ten year limited warranty against defects in materials and manufacturing workmanship
- Refer to the installation instructions enclosed with each CFG product or call 1-888-450-4910 for complete warranty information

NOTE:

- This faucet is designed to be installed through 3 holes 1" (25mm) minimum diameter, 4" centers



CRITICAL DIMENSIONS

(DO NOT SCALE)



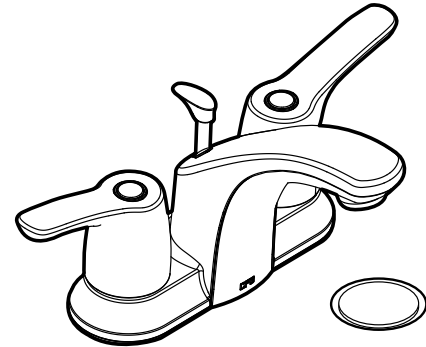
A Moen Incorporated Brand

Models:
CA42211 series with 50/50 waste
CA42213 series less waste

Baystone™



NSF UPC®



Two Handle Lavatory

DESCRIPTION

- Metal construction with various finishes identified by suffix
- Includes 50/50 pop-up waste assembly where noted.
- 1/2" IPS connections
- Six (6) individual boxes per master carton

OPERATION

- Lever-style handle
- Hot side: Turn counterclockwise to open (clockwise to close)
- Cold side: Turn clockwise to open (counterclockwise to close)
- Will operate with less than 5 lbs. of torque
- No grasping motion required to operate the faucet handle
- Features red/blue hot/cold temperature indicators

FLOW

- Water usage is limited to these maximum flow rates as indicated by the corresponding product markings
 - 1.2 gpm max (4.5L/min) at 60 psi
 - 1.5 gpm max (5.7L/min) at 60 psi

CARTRIDGE

- Ceramic disc technology
- Non-metallic, non-ferrous, and brass material
- Single body construction for easy replacement

STANDARDS

- Third party certified to WaterSense,® ASME A112.18.1/CSA B125.1, and all applicable requirements referenced therein
- Certified to NSF 61/9 & 372
- Products marked with 1.2 gpm are compliant with California water efficiency regulations
- Complies with California Proposition 65 and with the Federal Safe Drinking Water Act

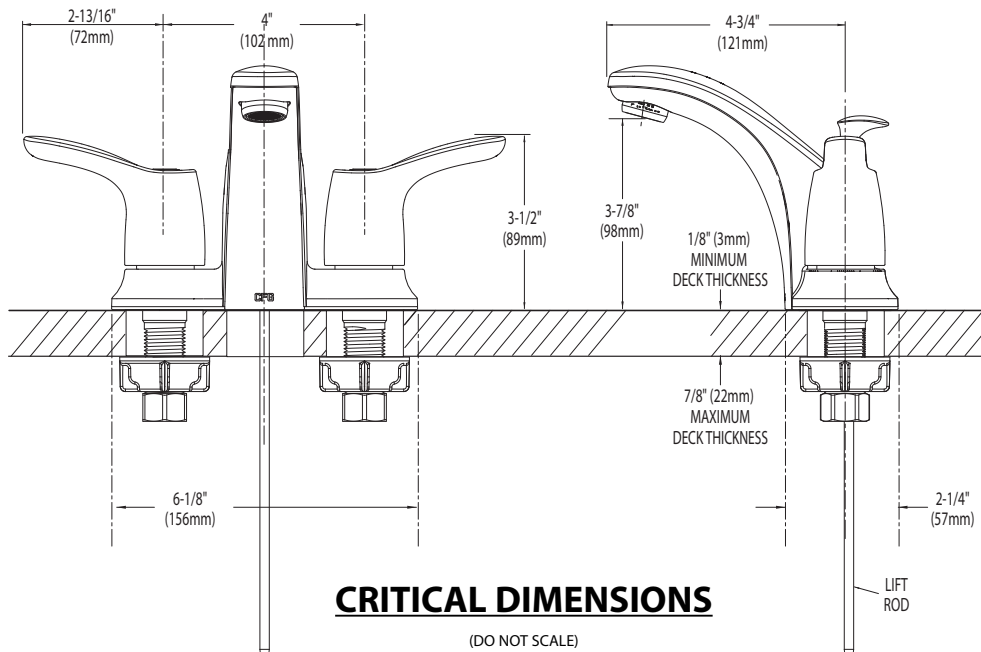
- ADA for lever handles

WARRANTY – RESIDENTIAL, COMMERCIAL

- Ten year limited warranty against defects in materials and manufacturing workmanship
- Refer to the installation instructions enclosed with each CFG product or call 1-888-450-4910 for complete warranty information

NOTE:

- This faucet is designed to be installed through 3 holes 1" (25mm) minimum diameter, 4" centers



CRITICAL DIMENSIONS

(DO NOT SCALE)