

*There is more than 1 version of this model.
Page down to identify the version you have.*

PRODUCT DESCRIPTION

- Battery powered, sensor activated, exposed water urinal flushometer with brass angle stop valve
- Brass construction with chrome plated finish
- Chloramine resistant seals
- 3/4" IPS inlet supply
- 3/4" top spud
- High back pressure vacuum breaker
- Intended for use with top spud urinals with matching flow rates as specified by the fixture manufacturer

OPERATION

- Self-cleaning Accuset™ piston flush technology
- Mechanical override
- Adjustable infrared sensor range up to 15"
- Four (4) Alkaline AA batteries included
- Battery life: Up to 8 years*
- Low battery indicator light
- Optional 24 hour Sentinel Flush (factory setting is off)
- Operating Pressure Range: 20-125psi

FLOW RATE

- 8312 (1.0gpf/3.8Lpf)
- 8315 (0.5gpf/1.9Lpf) - WaterSense® certified
- 8316 (0.125 gpf/0.5Lpf) - WaterSense® certified

STOP VALVE

- All metal 3/4" IPS vandal resistant angle stop with double o-ring connection
- Adjustable installation (left or right connection)

STANDARDS

- Third party certified by IAPMO and CSA to meet ASME A112.19.2M and all applicable requirements referenced therein and complies with requirements of ASSE 1037
- BAA
- ADA

WARRANTY

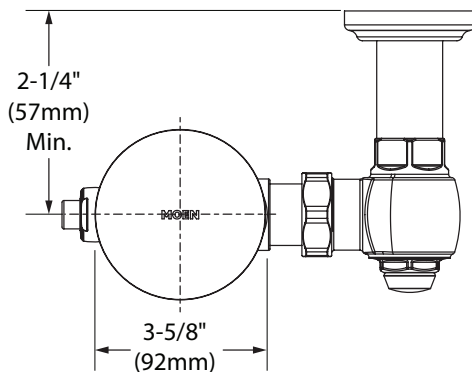
- Warranted for 5 years against material or manufacturing defects

* Typical alkaline battery life at 130 uses per day is about 8 years



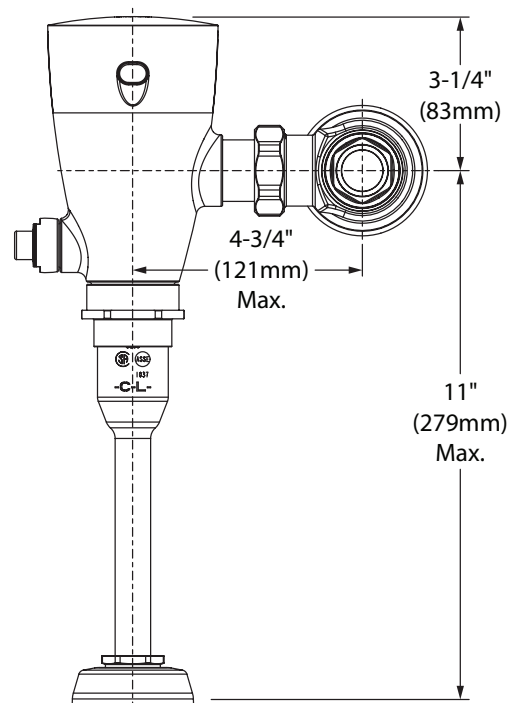
M-POWER™ 3/4" Battery Powered Sensor Exposed Style Urinal Flush Valve

Models: 8312, 8315, 8316

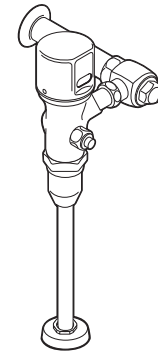


CRITICAL DIMENSIONS

(DO NOT SCALE)



Specifications



3/4" Battery Powered Sensor Exposed Style Urinal Flush Valve

Models: 8312, 8315, 8316



PRODUCT DESCRIPTION

- Brass construction w/chrome plated finish
- 3/4" IPS supply
- 3/4" top spud

OPERATION

- Adjustable sensor eye
- Battery powered (4) standard AA (included)
- Average battery life 250,000 cycles
- Self-diagnostic electronics
- Piston flushing mechanism
- Self cleaning filter system
- Low battery indicator light


FLOW

- 8312 (1.0gpf/3.8Lpf)
- 8315 (0.5gpf/1.9Lpf) - WaterSense® certified ◊
- 8316 (0.125 gpf/0.5Lpf) - WaterSense® certified ◊
- Operating pressures 10 to 125 psi
- 24 hour sentinel flush
- Mechanical manual override button

STOP VALVE

- 3/4" IPS angle stop (vandal resistant)
- Adjustable installation (left or right connection)

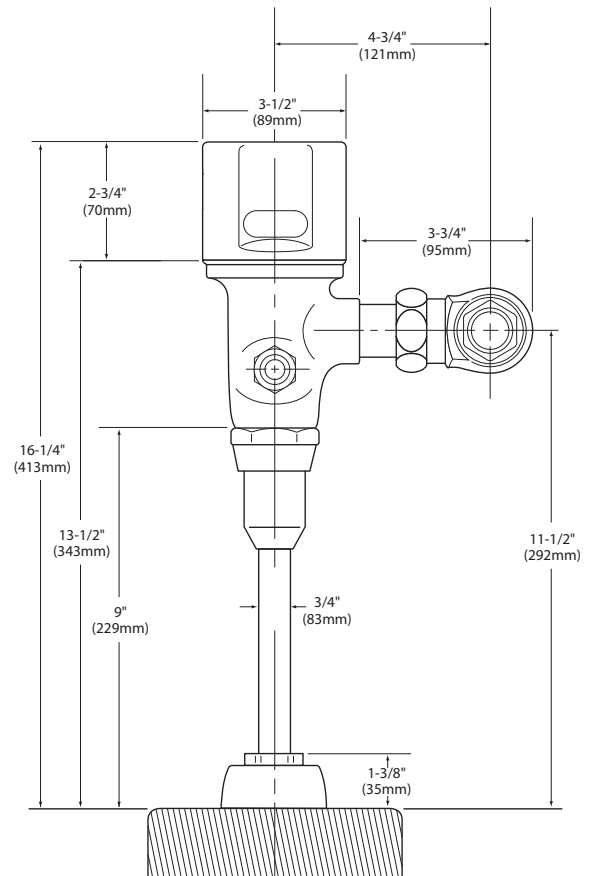
STANDARDS

- Third party certified by IAPMO to meet Watersense® ASME A112.19.2M and all applicable requirements referenced therein and complies with requirements of ASSE 1037
- ADA 

WARRANTY

- Warranted for 5 years against material or manufacture defects.

◊ Intended for use with matching flow rates as specified by the fixture manufacturer



CRITICAL DIMENSIONS

(DO NOT SCALE)