



Buy it for looks. Buy it for life.®

*There is more than 1 version of this model.  
Page down to identify the version you have.*

**FAUCET DESCRIPTION**

- Metal construction with various finishes identified by suffix
- 1/2" IPS connections will accept standard ball nose connection for 3/8" tubing
- Includes Protégé side spray with Duralock™ quick connect installation

**OPERATION**

- Acrylic knob style handles with hot and cold color indicators
- Rotate either handle counterclockwise to open and clockwise to close

**FLOW**

- Spout flow is limited to 1.5 gpm (5.7 L/min) at 60 psi

**CARTRIDGE**

- 1224 cartridge design
- Nonmetallic and stainless steel material

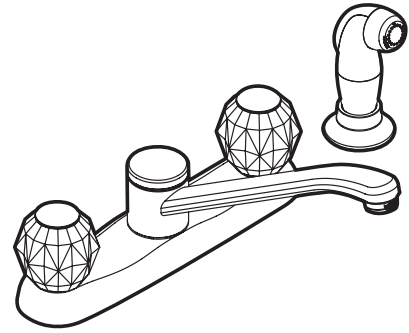
**STANDARDS**

- Third party certified to meet ASME A112.18.1M/CSA B125 and all applicable requirements referenced therein, including NSF 61/9
- Contains no more than 0.25% weighted average lead content
- Complies with California Proposition 65 and with the Federal Safe Drinking Water Act

**WARRANTY**

- Lifetime limited warranty against leaks, drips and finish defects to the original consumer purchaser
- 5 year warranty if used in commercial installations

# Specifications

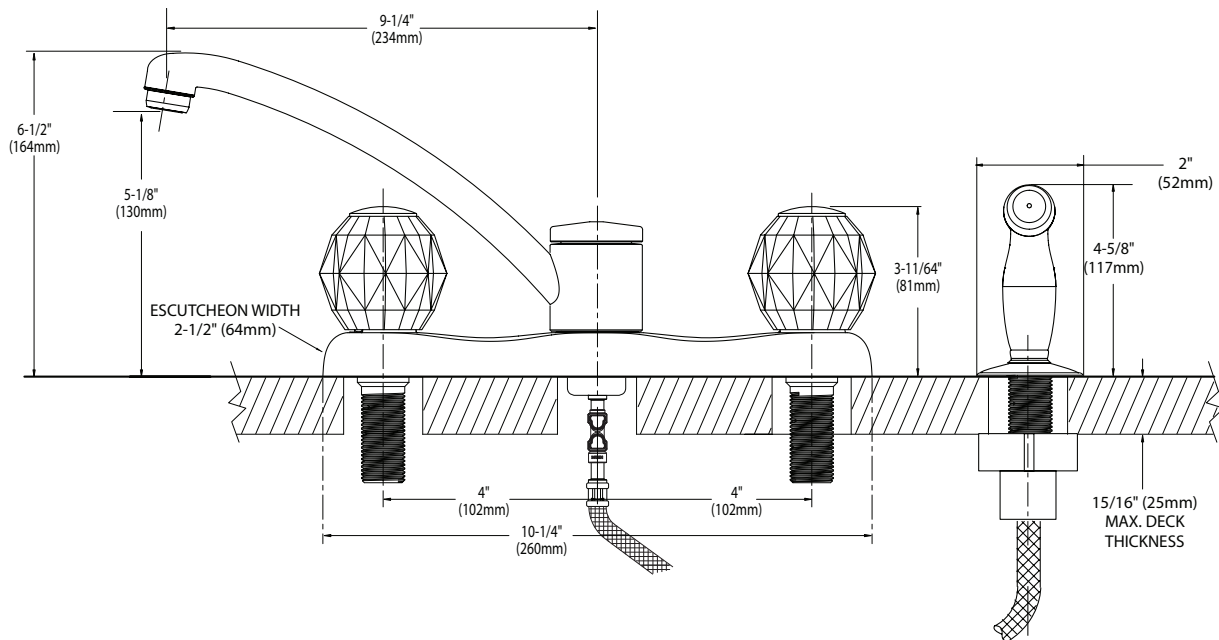


## CHATEAU® Two-Handle Kitchen Faucet

**Model:** 7910 series  
7900 series (less spray)

**Bulk Model:** 67910 series  
67900 series (less spray)

**NOTE:** DESIGNED TO BE INSTALLED THROUGH  
4 HOLES - 1" MIN. DIA. AND ON 4" CENTERS



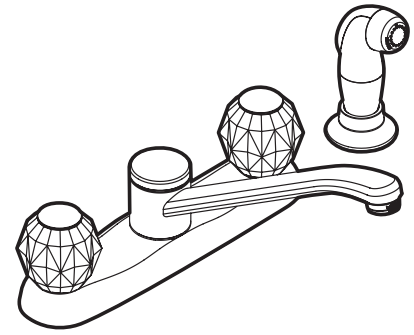
### CRITICAL DIMENSIONS

(DO NOT SCALE)



Buy it for looks. Buy it for life.®

# Specifications



## CHATEAU®

### Two-Handle Kitchen Faucet

**Model:** 7910 series  
7900 series (less spray)

**Bulk Model:** 67910 series  
67900 series (less spray)

#### FAUCET DESCRIPTION

- Metal construction with various finishes identified by suffix
- 1/2" IPS connections will accept standard ball nose connection for 3/8" tubing
- Includes Protégé side spray with Quick connect installation

#### OPERATION

- Acrylic knob style handles with hot and cold color indicators
- Rotate either handle counterclockwise to open and clockwise to close

#### FLOW

- Spout flow is limited to 2.0 gpm (7.6 L/min) at 60 psi

#### CARTRIDGE

- 1224 cartridge design
- Nonmetallic and stainless steel material

#### STANDARDS

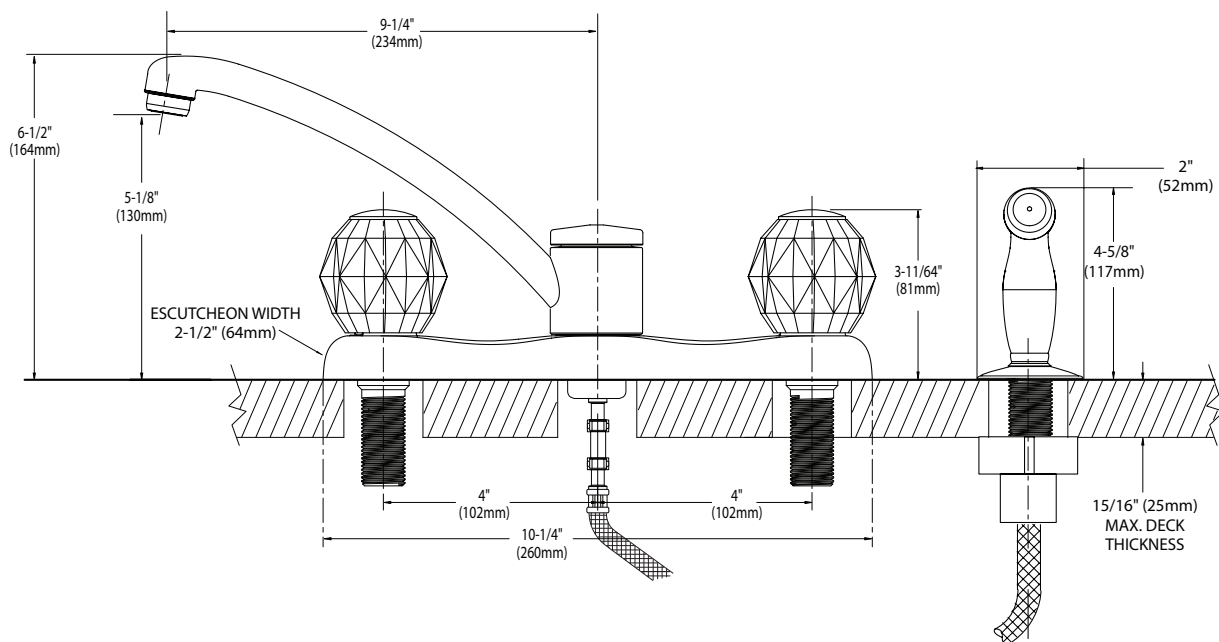
- Third party certified to meet ASME A112.18.1M/CSA B125 and all applicable requirements referenced therein, including NSF 61/9
- Contains no more than 0.25% weighted average lead content
- Complies with California Proposition 65 and with the Federal Safe Drinking Water Act

#### WARRANTY

- Lifetime limited warranty against leaks, drips and finish defects to the original consumer purchaser
- 5 year warranty if used in commercial installations

**NOTE:** DESIGNED TO BE INSTALLED THROUGH 4 HOLES - 1" MIN. DIA. AND ON 4" CENTERS

The use of aerator part 116711 reduces flow to a maximum of 1.5 gpm (5.7L/min.)



### CRITICAL DIMENSIONS

(DO NOT SCALE)



Buy it for looks. Buy it for life.®

# Specifications

## FAUCET DESCRIPTION

- Metal construction with chrome plated finish
- 1/2" IPS connections will accept standard ball nose connection for 3/8" tubing
- Includes hose and spray

## OPERATION

- Acrylic knob style handles with hot and cold color indicators
- Rotate either handle counterclockwise to open and clockwise to close

## FLOW

- Aerator is limited to 2.0 gpm (7.6 L/min) at 60 psi

## CARTRIDGE

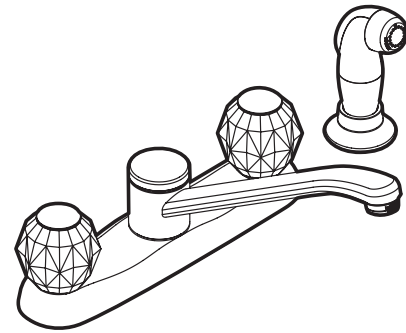
- 1224 cartridge design
- Nonmetallic and stainless steel material

## STANDARDS

- Third party certified to meet CSA B-125, ASME A112.18.1M and all applicable requirements referenced therein.
- Certified to ANSI/NSF 61/9
- Complies with California Proposition 65 and with the Federal Safe Water Drinking Act

## WARRANTY

- Lifetime limited warranty against leaks, drips and finish defects to the original consumer purchaser
- 5 year warranty if used in commercial installations

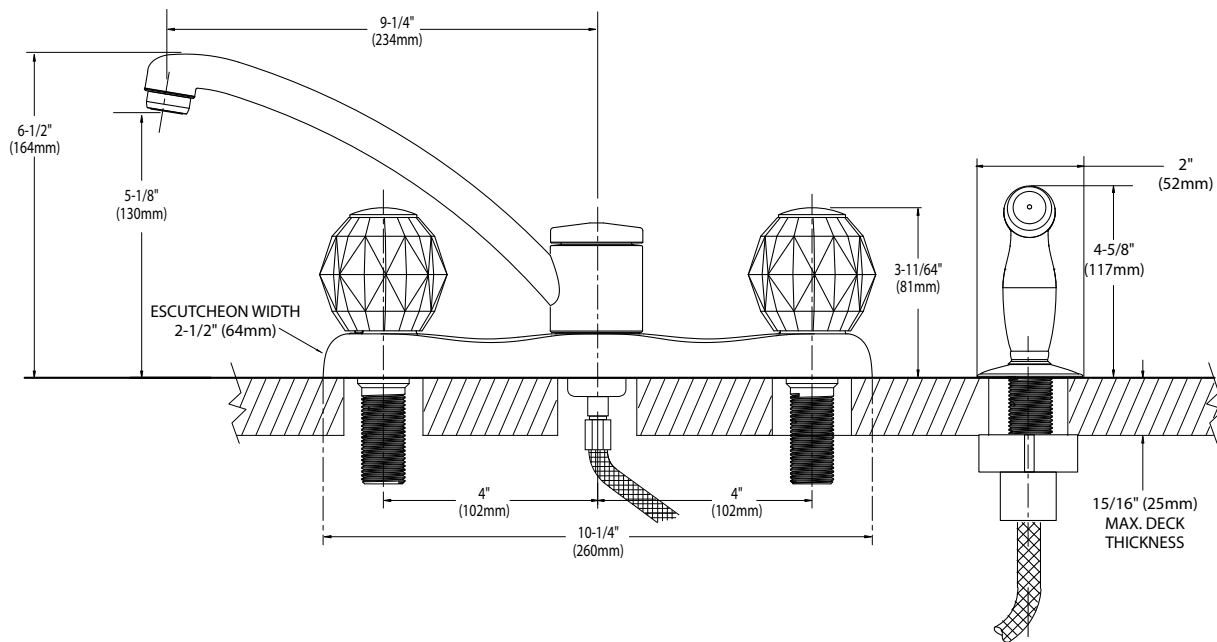


**CHATEAU®**  
**Two-Handle Kitchen Faucet**  
**with Side Spray**

**Model: 7910**  
**Bulk Model: 67910**  
**(Bulk packed 12 per carton)**

**NOTE:** Designed to be installed through 4 holes - 1" min. dia. and on 4" centers

The use of aerator part 116711 reduces flow to a maximum of 1.5 gpm (5.7L/min.)



## CRITICAL DIMENSIONS

(DO NOT SCALE)

FOR MORE INFORMATION CALL: 1-800-BUY-MOEN

www.moen.com



Buy it for looks. Buy it for life.®

# Specifications

## FAUCET DESCRIPTION

- Chrome plated metal construction
- 1/2" IPS connections will accept standard ball nose connection for 3/8" tubing
- Includes hose and spray

## OPERATION

- Acrylic knob style handles
- Operate the faucet by rotating either handle in a counterclockwise manner to open, and clockwise to close.

## FLOW

- Aerator is limited to 2.0 gpm (7.6 L/min) at 60 psi

## CARTRIDGE

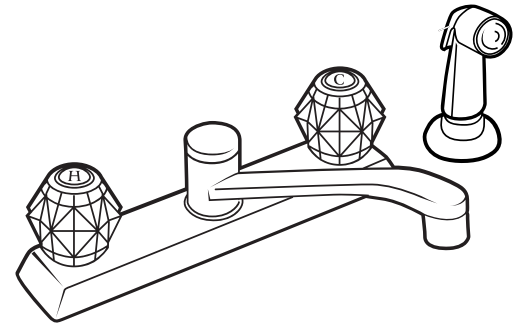
- 1224 cartridge design
- Nonmetallic and stainless steel material

## STANDARDS

- Third party certified by CSA to meet CSA B-125, ASME A112.18.1M and all applicable requirements referenced therein.
- Certified to ANSI/NSF 61/9
- Complies with California Proposition 65 and with the Federal Safe Water Drinking Act

## WARRANTY

- Lifetime limited warranty against leaks, drips and finish defects to the original consumer purchaser
- 5 year warranty if used in commercial installations



## CHATEAU® Two-Handle Knob Style Kitchen Faucet

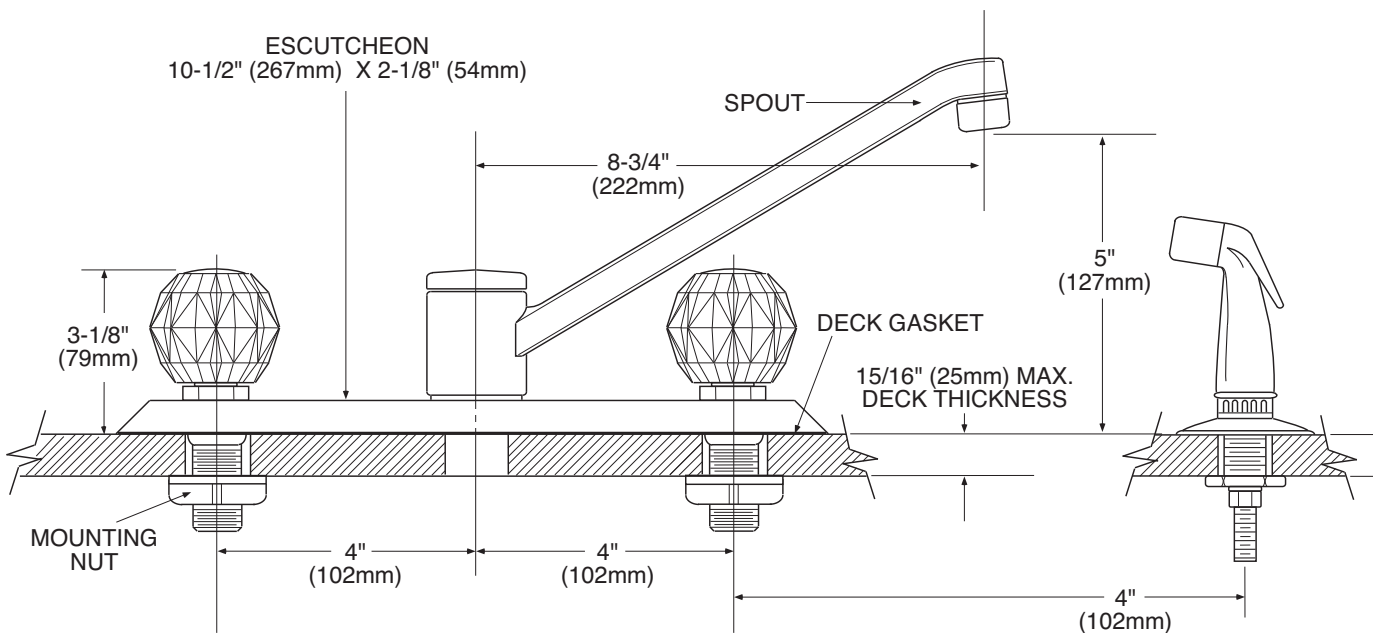
**Model:** 7910

**Bulk Model:** 67910

**(Bulk packed 12 per carton)**

**NOTE:** This faucet is designed to be installed through 4 holes 1" Min. Dia.

The use of aerator part 116711 reduces flow to a maximum of 1.5 gpm (5.7L/min.)



## CRITICAL DIMENSIONS

(DO NOT SCALE)

FOR MORE INFORMATION CALL: 1-800-BUY-MOEN

www.moen.com