

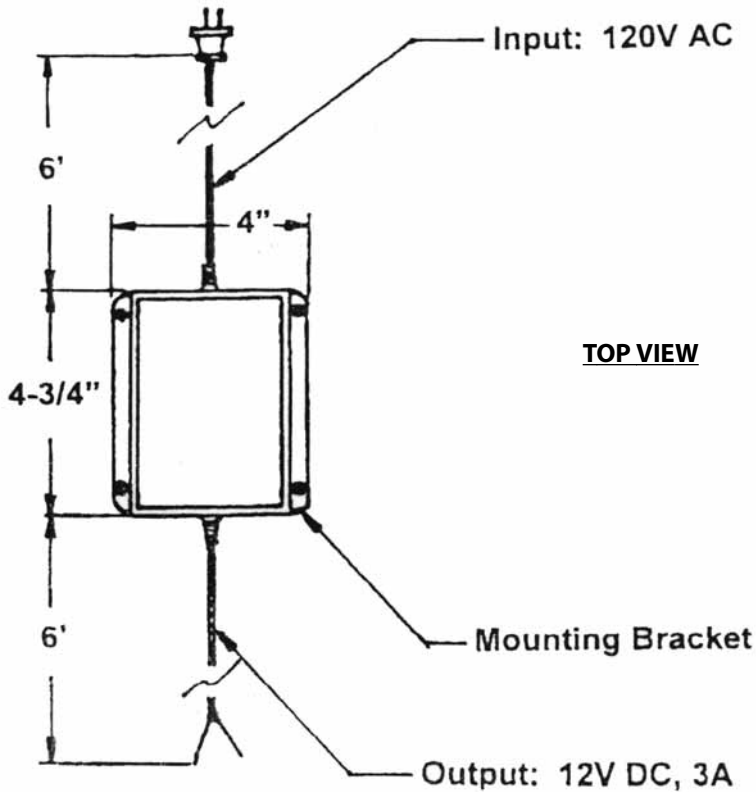
■ Order by Part Number

Illustrated Parts

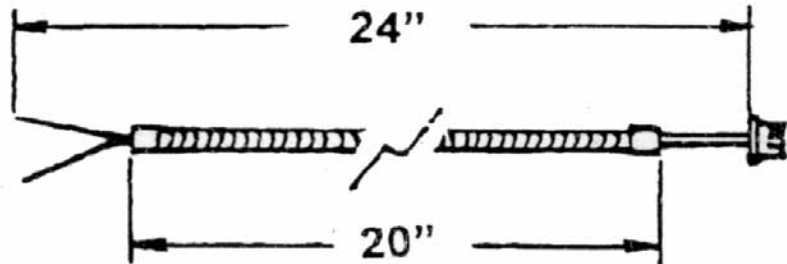
Multi-Unit Power AC Adapter & 24" Wire Lead

Model	Description
104401	120V AC Multi Unit Adapter
104402	Wire Lead

Warning: Do not touch leads (+ -) together while unit is plugged in. Unit will fail and warranty will be voided.



104401 120V AC Multi Unit Adapter



104402 Wire Lead