

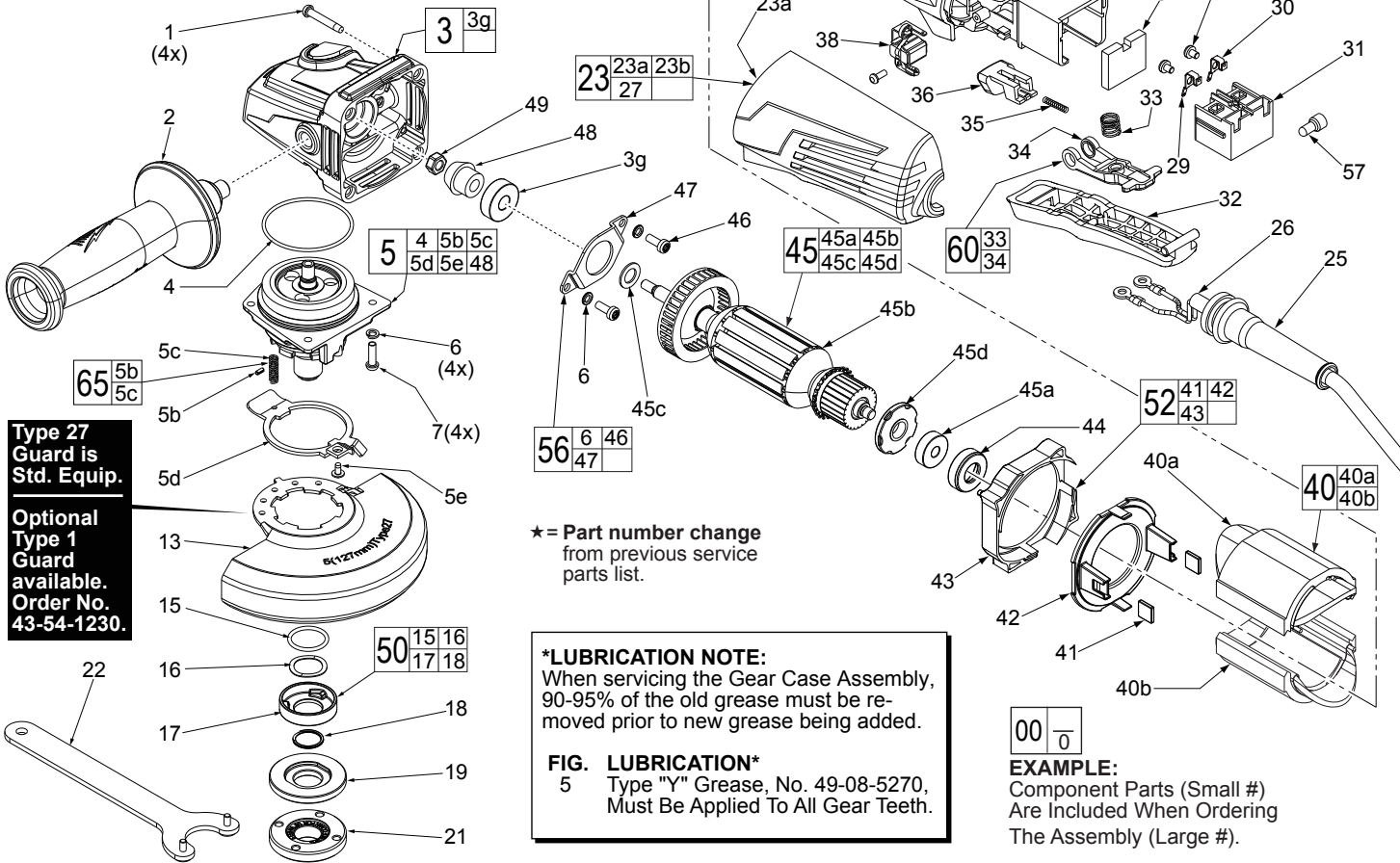


# SERVICE PARTS LIST

**BULLETIN NO.**  
54-38-2102

|  |         |   |                   |
|--|---------|---|-------------------|
| SPECIFY CATALOG NO. AND SERIAL NO. WHEN ORDERING PARTS     |         | REVISED BULLETIN<br>54-38-2101                | DATE<br>Jan. 2017 |
| <b>5" HP ANGLE GRINDER with PADDLE SWITCH with lock-on</b> |         | WIRING INSTRUCTION<br><b>See Reverse Side</b> |                   |
| CAT. NO.   | 6117-30 | STARTING SERIAL NUMBER                        | C91C              |

| FIG. | PART NO.   | DESCRIPTION OF PART             | NO. REQ. |
|------|------------|---------------------------------|----------|
| ★ 1  | 05-88-1650 | M4 x 25mm Pan Hd. ST Screw T-20 | (4)      |
| 2    | 42-62-0125 | Side Handle Assembly            | (1)      |
| ★ 3  | 14-30-1156 | Gearcase Assembly               | (1)      |
| 3g   | 02-04-0620 | Ball Bearing                    | (1)      |
| 4    | 34-40-0560 | O-Ring                          | (1)      |
| ★ 5  | 14-73-0475 | 5/8"-11 Spindle Hub Kit         | (1)      |
| ★ 5b | -----      | Steel Pin                       | (1)      |
| ★ 5c | -----      | Spring                          | (1)      |
| ★ 5d | 44-20-0155 | Guard Locking Tang              | (1)      |
| ★ 5e | 05-81-0020 | M3 x 5mm Pan Hd. ST T-8 Screw   | (1)      |



★ = Part number change from previous service parts list.

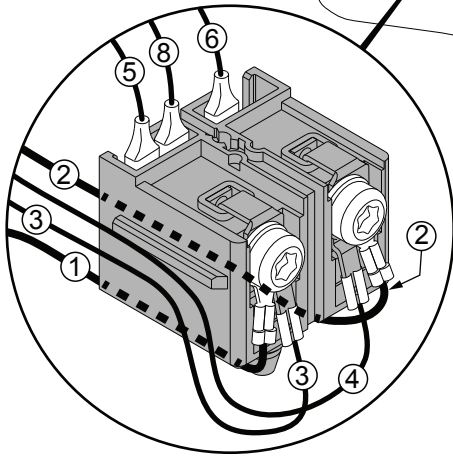
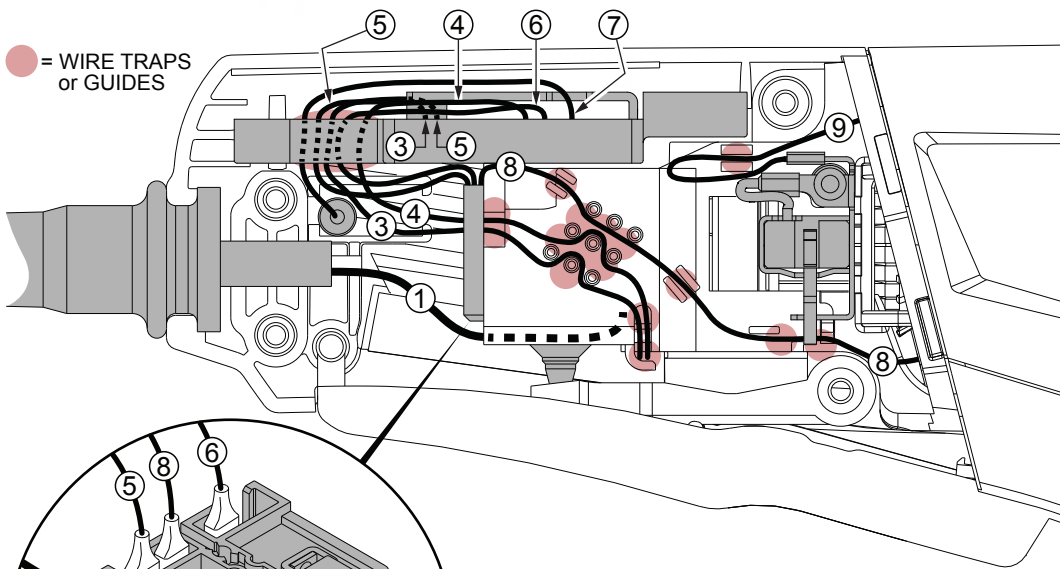
**\*LUBRICATION NOTE:**  
When servicing the Gear Case Assembly, 90-95% of the old grease must be removed prior to new grease being added.

**FIG. LUBRICATION\***  
5 Type "Y" Grease, No. 49-08-5270, Must Be Applied To All Gear Teeth.

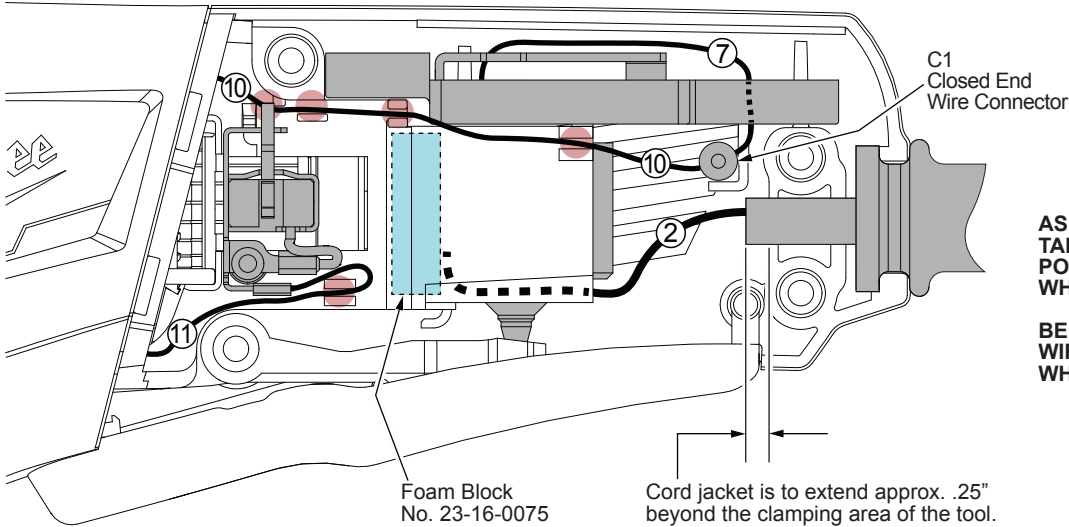
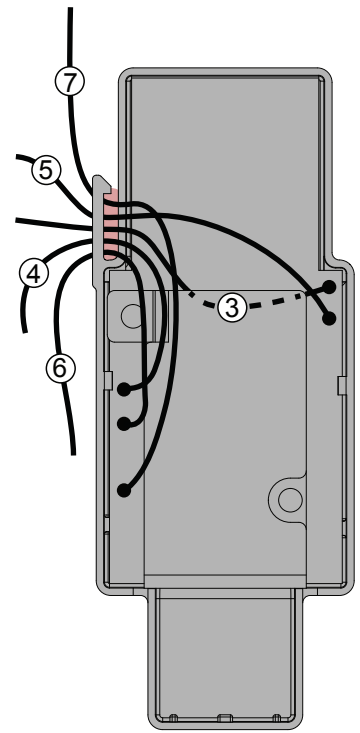
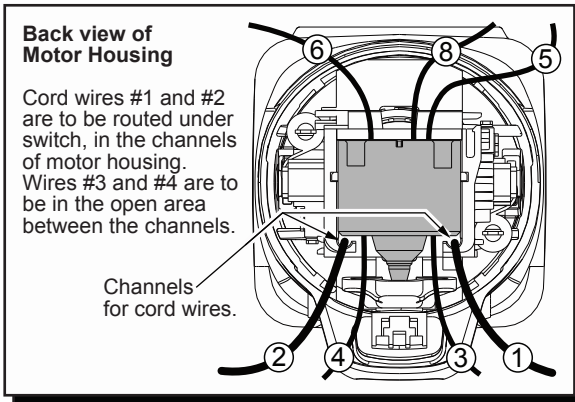
**EXAMPLE:**  
Component Parts (Small #)  
Are Included When Ordering  
The Assembly (Large #).

| FIG. | PART NO.   | DESCRIPTION OF PART                   | NO. REQ. |
|------|------------|---------------------------------------|----------|
| 6    | 05-90-0225 | Spring Washer                         | (6)      |
| 7    | 05-78-5316 | M4 x 14mm Pan Hd. Tapt. Screw T-20    | (4)      |
| ★ 13 | 43-54-1220 | 5" Type 27 Guard (Standard Equip.)    | (1)      |
| ★ 13 | 43-54-1230 | 5" Type 1 Guard (Optional, Not Shown) | (1)      |
| 15   | -----      | O-Ring                                | (1)      |
| 16   | -----      | Wavy Spring                           | (1)      |
| 17   | -----      | Flange with Ramps                     | (1)      |
| 18   | -----      | Retaining Ring                        | (1)      |
| 19   | 43-34-0935 | Inner Disc Flange                     | (1)      |
| 21   | 44-40-0035 | Outer Flange Nut                      | (1)      |
| ★ 22 | 49-96-7215 | Spanner Wrench                        | (1)      |
| 23   | 31-44-0645 | Rear Handle Set                       | (1)      |
| 23a  | -----      | Left Handle Halve                     | (1)      |
| 23b  | -----      | Right Handle Halve                    | (1)      |
| 25   | 44-76-0095 | Cord Protector                        | (1)      |
| 26   | 22-64-3430 | Power Cord                            | (1)      |
| 27   | 05-88-1300 | M4 x 28mm Pan Hd. ST Screw T-20       | (4)      |
| 28   | 22-09-1865 | PCB Assembly                          | (1)      |
| 29   | 23-74-1620 | Terminal                              | (1)      |
| 30   | 23-74-1615 | Terminal                              | (1)      |
| 31   | 23-66-2665 | On-Off Switch                         | (1)      |
| 32   | 31-92-0275 | Paddle Trigger                        | (1)      |
| 33   | -----      | Paddle Trigger Spring                 | (1)      |
| 34   | -----      | Paddle Linkage                        | (1)      |
| 35   | 40-50-1155 | Lock Button Spring                    | (1)      |
| 36   | 42-42-0495 | Lock-On Button                        | (1)      |
| 37   | 05-88-0030 | M3 x 8.5mm Pan Hd. ST Screw T-10      | (2)      |
| 38   | 22-18-2250 | Carbon Brush Assembly (Set of 2)      | (1)      |
| 39   | 31-50-2165 | Motor Housing                         | (1)      |
| 40   | 18-07-0300 | Field Assembly                        | (1)      |

| FIG.  | PART NO.   | DESCRIPTION OF PART                  | NO. REQ. |
|-------|------------|--------------------------------------|----------|
| 40a   | -----      | Field Halve                          | (1)      |
| 40b   | -----      | Field Halve                          | (1)      |
| 41    | 42-28-0085 | Rubber Block                         | (2)      |
| 42    | -----      | Baffle Foot                          | (1)      |
| 43    | -----      | Baffle                               | (1)      |
| 44    | 42-96-0016 | Rubber Bearing Cap                   | (1)      |
| 45    | 16-10-0845 | Armature Assembly                    | (1)      |
| 45a   | 02-04-2110 | Ball Bearing                         | (1)      |
| 45b   | -----      | Armature                             | (1)      |
| 45c   | 45-88-0406 | Washer                               | (1)      |
| 45d   | -----      | Magnetic Disc                        | (1)      |
| 46    | 05-78-0105 | M4 x 10mm Pan Hd. Tapt. Screw T-20   | (2)      |
| 47    | 44-86-0155 | Bearing Retainer                     | (1)      |
| ★ 48  | -----      | Pinion                               | (1)      |
| 49    | 05-55-0620 | M5 Hex Nut                           | (1)      |
| 50    | 14-46-6105 | Flange with Ramps Assembly           | (1)      |
| 52    | 42-14-0515 | Baffle Assembly                      | (1)      |
| 53    | 05-78-0305 | M3.5 x 7mm Pan Hd. Phil. Switch Scr. | (2)      |
| 54    | 23-16-0075 | Foam Block                           | (1)      |
| 56    | 44-86-0145 | Bearing Retaining Plate Assembly     | (1)      |
| 57    | 22-56-0150 | Closed End Wire Connector            | (1)      |
| 60    | 14-46-6100 | Paddle Linkage/Spring Service Kit    | (1)      |
| ★ 65  | 14-46-0241 | Spring/Pin Kit                       | (1)      |
| ----- | 12-20-1560 | Service Nameplate (Not Shown)        | (1)      |
| ----- | 10-20-2225 | Bi-Lingual Warning Label (Not Shown) | (1)      |



Attach all wires to the switch as shown prior to inserting switch into the motor housing. Be sure that foam block is seated in the switch opening of motor housing before switch is installed.



AS AN AID TO REASSEMBLY, TAKE NOTICE OF WIRE ROUTING AND POSITION IN WIRE GUIDES AND TRAPS WHILE DISMANTLING TOOL.

BE CAREFUL AND AVOID PINCHING WIRES BETWEEN HANDLE HALVES WHEN ASSEMBLING.

**WIRING SPECIFICATIONS**

| Wire No. | Wire Color | Origin or Part No. | Gauge | Length | Terminals, Connectors and End Wire Preparation   |
|----------|------------|--------------------|-------|--------|--|
| 1        | Black      | 22-64-3430         | --    | --     | Component of Cord Set. Connect to Switch.        |
| 2        | White      | 22-64-3430         | --    | --     | Component of Cord Set. Connect to Switch.        |
| 3        | Black      | 22-09-1865         | --    | --     | Component of PCBA. Connect to Switch.            |
| 4        | White      | 22-09-1865         | --    | --     | Component of PCBA. Connect to Switch.            |
| 5        | Black      | 22-09-1865         | --    | --     | Component of PCBA. Connect to Switch.            |
| 6        | White      | 22-09-1865         | --    | --     | Component of PCBA. Connect to Switch.            |
| 7        | Red        | 22-09-1865         | --    | --     | Component of PCBA. Connect to C1 with wire #10.  |
| 8        | Black      | 18-07-0300         | --    | --     | Component of Field. Connect to Switch.           |
| 9        | Black      | 18-07-0300         | --    | --     | Component of Field. Connect to Right Brush Assy. |
| 10       | Black      | 18-07-0300         | --    | --     | Component of Field. Connect to C1 with wire #7.  |
| 11       | Black      | 18-07-0300         | --    | --     | Component of Field. Connect to Left Brush Assy.  |

BULK LEAD WIRE - BULLETIN 58-01-0003

**NOTE:**

All leads must be held to  $\pm 1/16"$ . All lead lengths are before stripping.

**TERMINAL DESCRIPTION**

| Code | Part No. | Qty. |
|------|----------|------|
|      |          |      |

**CONNECTOR DESCRIPTION**

|    |            |   |
|----|------------|---|
| C1 | 22-56-0150 | 1 |
|----|------------|---|