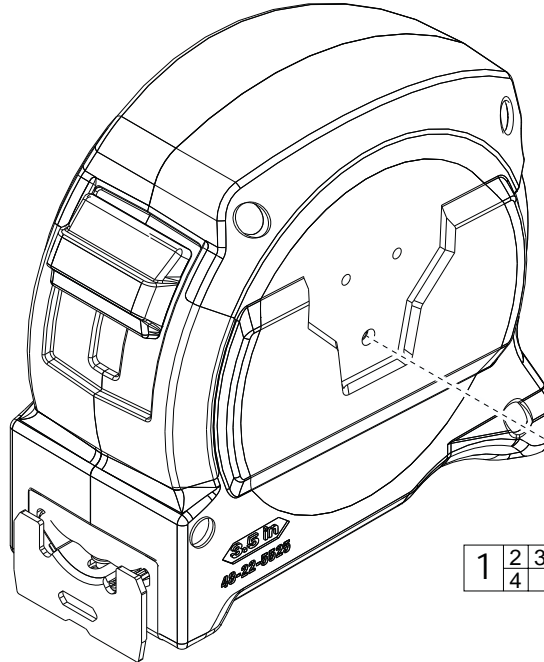
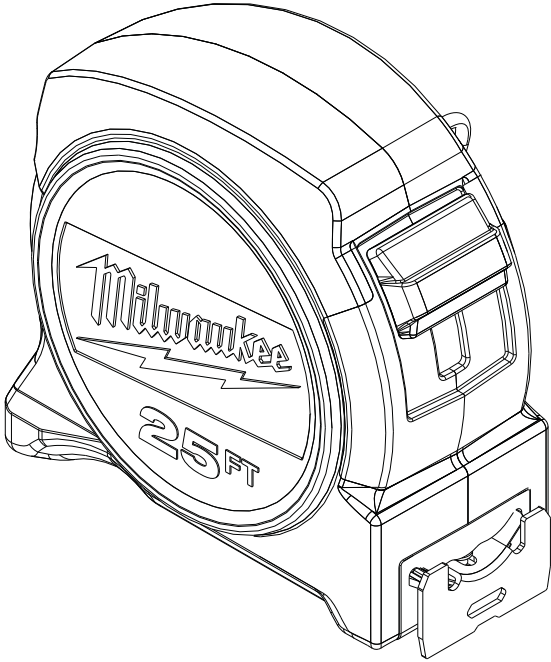




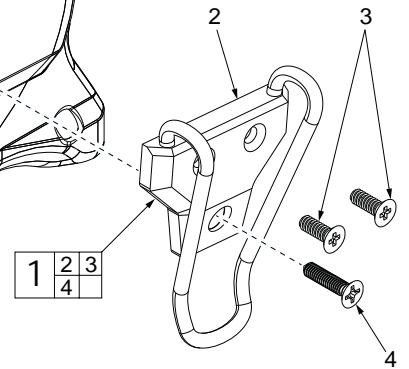
# SERVICE PARTS LIST

BULLETIN NO.  
54-49-5000

SPECIFY CATALOG NO. AND SERIAL NO. WHEN ORDERING PARTS					REVISED BULLETIN	DATE
TAPE MEASURES						May 2015
48-22-5116	48-22-5130	48-22-5216	48-22-5233	48-22-5308	48-22-5530	48-22-5705
48-22-5117	48-22-5131	48-22-5217	48-22-5234	48-22-5309	48-22-5535	48-22-5708
48-22-5125	48-22-5135	48-22-5225	48-22-5305	48-22-5516	48-22-5616	48-22-5710
48-22-5126	48-22-5136	48-22-5226	48-22-5306	48-22-5525	48-22-5625	



**NOTE:**  
When installing the Belt Clip Kit, DO NOT over-tighten screws #3 and #4. Install screws only by hand.



TAPE NO.	TAPE DESCRIPTION
48-22-5116	16FT Magnetic Tape Measure
48-22-5117	16FT Tape Measure
48-22-5125	25FT Magnetic Tape Measure
48-22-5126	25FT Tape Measure
48-22-5130	30FT Magnetic Tape Measure
48-22-5131	30FT Tape Measure
48-22-5135	35FT Magnetic Tape Measure
48-22-5136	35FT Tape Measure
48-22-5216	5M/16FT Magnetic Tape Measure
48-22-5217	5M/16FT Tape Measure
48-22-5225	8M/26FT Magnetic Tape Measure
48-22-5226	8M/26FT Tape Measure
48-22-5233	10M/33FT Magnetic Tape Measure
48-22-5234	10M/33FT Tape Measure
48-22-5305	5M Magnetic Tape Measure
48-22-5306	5M Tape Measure
48-22-5308	8M Magnetic Tape Measure
48-22-5309	8M Tape Measure
48-22-5516	16FT Tape Measure
48-22-5525	25FT Tape Measure
48-22-5530	30FT Tape Measure
48-22-5535	35FT Tape Measure
48-22-5616	5M/16FT Tape Measure
48-22-5625	8M/26FT Tape Measure
48-22-5705	5M Tape Measure
48-22-5708	8M Tape Measure
48-22-5710	10M Tape Measure

FIG.	PART NO.	DESCRIPTION OF PART	NO. REQ.
1	14-46-0067	Belt Clip Kit	(1)
2	-----	Belt Clip	(1)
3	-----	Screw, M2.5 x 7.5 Flat Hd. Cross-Drive	(2)
4	-----	Screw, M2.5 x 11.5 Flat Hd. Cross-Drive	(1)

**WARNING!**  
When installing or removing the Belt Clip Kit, remove only the three kit screws. DO NOT attempt to remove the perimeter screws. Tape mechanism is under spring tension and could cause injury.

