

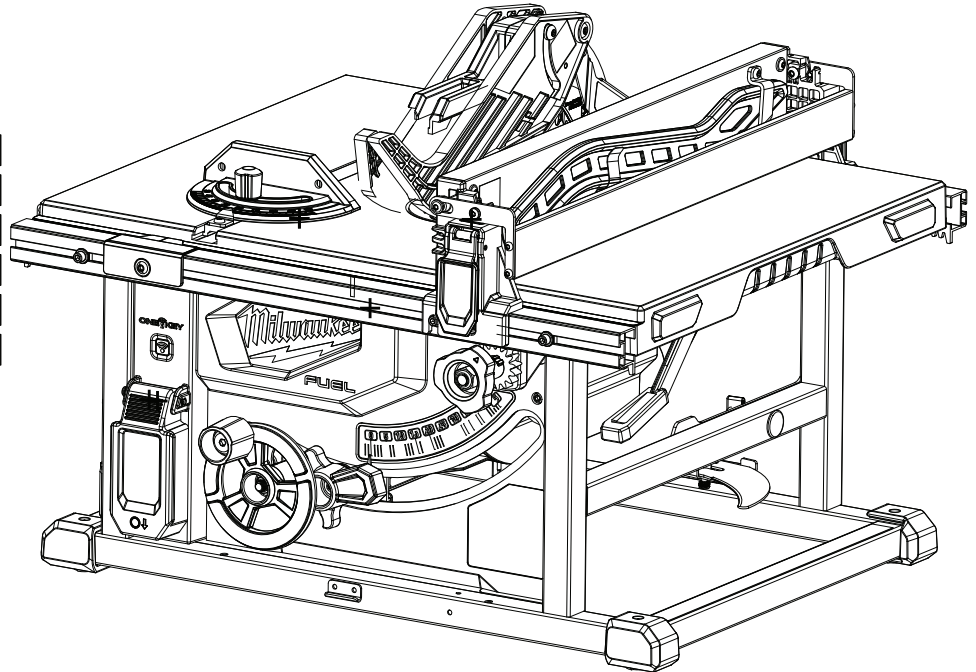


# SERVICE PARTS LIST

BULLETIN NO.  
54-00-2736

SPECIFY CATALOG NO. AND SERIAL NO. WHEN ORDERING PARTS		REVISED BULLETIN	DATE
<b>M18™ FUEL™ ONE KEY 8.25" TABLE SAW</b>			Mar. 2019
CATALOG NO.	2736-20	SERIAL NUMBER	J35A
			WIRING INSTRUCTION

<b>TABLE TOP and RAIL ASSY.</b>	Page 2
<b>FRAME and PANEL ASSY.</b>	Page 3
<b>DUST COLLECTION ASSY.</b>	Page 4
<b>GEARCASE and MOTOR ASSY.</b>	Page 5
<b>ATTACHMENTS/ACCESSORIES</b>	Page 6
<b>TORQUE SPECIFICATIONS</b>	Page 7



**Electronics Servicing** for Milwaukee Electric Tool ONE KEY Products **can only be performed at this**  
**Milwaukee factory Central Repair Center:**

**MILWAUKEE ELECTRIC TOOL Central Repair**  
**1401 Sycamore Avenue • Greenwood, MS 38930**

Please send your tool directly to this location for service.

Or

**Via e-Service at: [www.milwaukeetool.com/e-service](http://www.milwaukeetool.com/e-service)**  
questions, please call 1.800.SAWDUST (1.800.729.3878)

Or

Return it to a MILWAUKEE *factory* Service Center location, freight prepaid and insured.  
A copy of the proof of purchase should be included with the return product.

If you have questions please contact Milwaukee Product Service at:

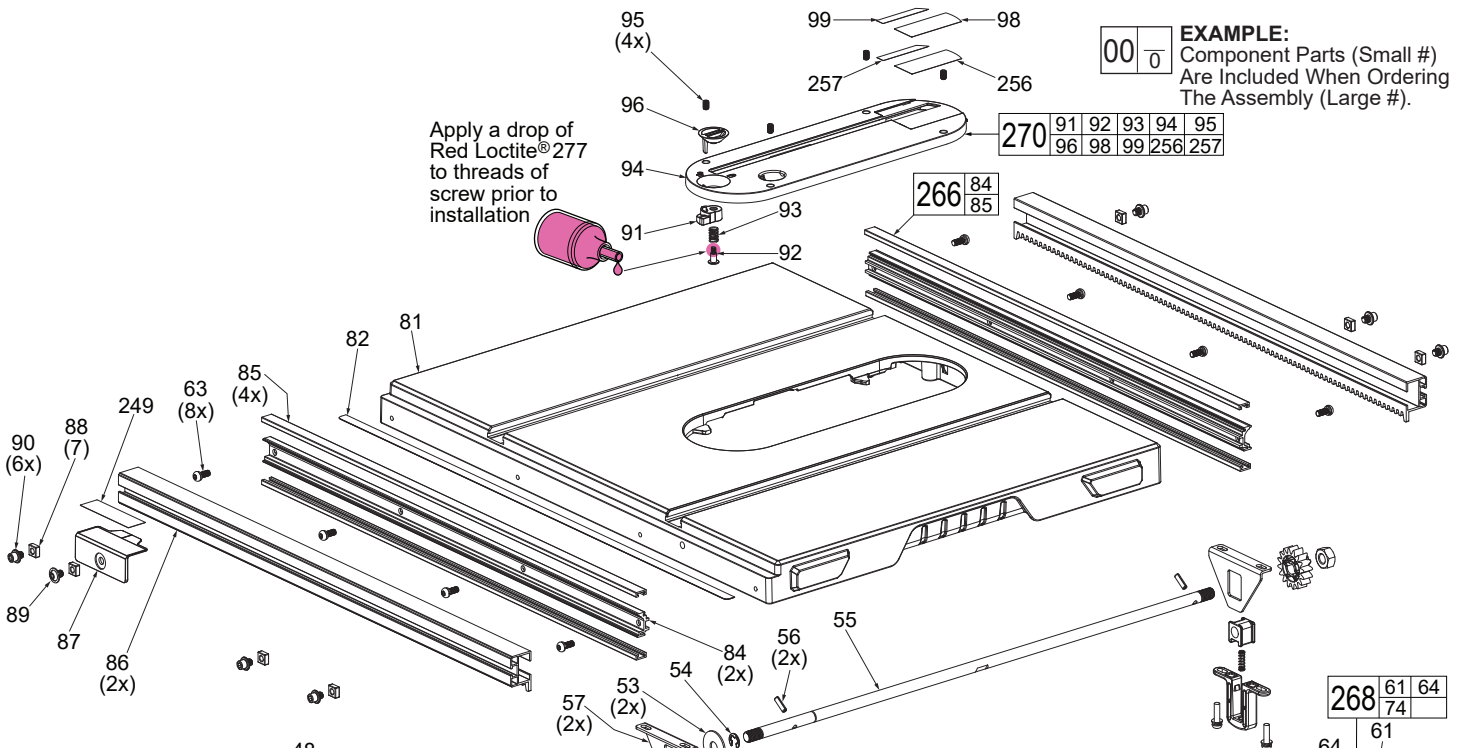
**Product Technical Support via phone at: 262.783.8642**

Or

**Via email at: [METProductSupport@milwaukeetool.com](mailto:METProductSupport@milwaukeetool.com)**

**Disassembly of electronics package is not recommended and could void the warranty.**

**TABLE TOP and RAIL ASSEMBLY**



**EXAMPLE:**  
Component Parts (Small #)  
Are Included When Ordering  
The Assembly (Large #).

270	91	92	93	94	95
	96	98	99	256	257

266	84	85
-----	----	----

268	61	64
	74	

267	67	68	72	73	74
	77	78	79	80	

**LUBRICATION**

● = 277 Red Loctite® 44-22-0325

271	47	48	49	50	51	52
	53	54	55	56	57	58

FIG.	PART NO.	DESCRIPTION OF PART	NO REQ.
47	-----	M10 Hex Nut with Nylon	(2)
48	-----	Fence Pinion Knob	(1)
49	-----	Fence Pinion Bushing	(2)
50	-----	Spring	(2)
51	-----	Fence Pinion Bushing Bracket	(2)
52	-----	M5 x 20mm Pan Hd. Sems T-25 w/Nylok	(4)
53	-----	Washer	(2)
54	-----	E-Ring	(1)
55	-----	Fence Pinion Shaft	(1)
56	-----	Spring Pin	(2)
57	-----	Fence Pinion Bearing Support	(2)
58	-----	Fence Pinion	(2)
59	45-88-0009	Washer	(4)
60	40-50-0131	Spring	(2)
61	-----	Latching Shaft	(1)
62	42-68-0012	Clamping Plate	(2)
63	06-82-0074	M5 x 13mm Pan Hd. Sems T-25 w/Nylok	(16)
64	-----	Latching Adjustment Shaft	(1)
65	06-55-0011	M6 Hex Nut	(1)
66	44-40-0011	Latching Adjustment Nut	(1)
67	-----	Spring Pin	(2)
68	-----	Latching Shaft and Plate	(1)
69	43-62-0011	Fence Lock Handle	(1)
70	45-88-0043	Washer	(1)
71	06-55-0006	M5 Hex Nut w/ Nylon	(1)
72	42-68-0013	Clamping Plate	(2)
73	-----	Latching Plate	(1)
74	-----	Rivet	(3)
75	45-88-0044	Washer	(2)
76	40-50-0139	Spring	(1)
77	-----	Latching Spring Shaft	(1)
78	-----	Latching Plate	(1)
79	-----	Rivet	(1)
80	-----	Latching Shaft	(1)
81	45-64-0005	Table Top	(1)
82	43-82-0010	Fence Ruler	(1)
84	-----	Fence Rail Mount	(2)

FIG.	PART NO.	DESCRIPTION OF PART	NO REQ.
85	-----	Fence Rail Cushion	(4)
86	44-81-0011	Sliding Fence Rail	(2)
87	43-82-0011	Fence Length Indicator	(1)
88	06-54-0010	M6 Square Nut	(7)
89	06-75-0011	M6 x 8mm Pan Hd. Washer Screw, S4	(1)
90	06-75-0022	M6 x 6mm CWH Machine Screw, S4	(6)
91	42-50-0011	Throat Plate Cam	(1)
92	05-89-0010	M4 x 14mm PWH T-20 Tapt. Screw	(1)
93	40-50-0141	Spring	(1)
94	44-66-0042	Throat Plate	(1)
95	06-83-0011	M5 x 8mm Set Screw, S2.5	(4)
96	43-98-0021	Throat Plate Attachment Knob	(1)
98	-----	Large Throat Plate Insert	(1)
99	-----	Small Throat Plate Insert	(1)
249	10-20-9007	Fence Length Indicator Label	(1)
256	-----	Double Sided Tape for Large Insert	(1)
257	-----	Double Sided Tape for Small Insert	(1)
266	44-81-0012	Mounting Rail Kit	(2)
267	44-20-0019	Fence Extension Latching Assembly 1	(1)
268	44-20-0022	Fence Extension Latching Assembly 2	(1)
270	14-67-0015	Throat Plate Assembly	(1)
271	14-86-0010	Fence Pinion Bushing Assembly	(2)

**FRAME and PANEL ASSEMBLY**

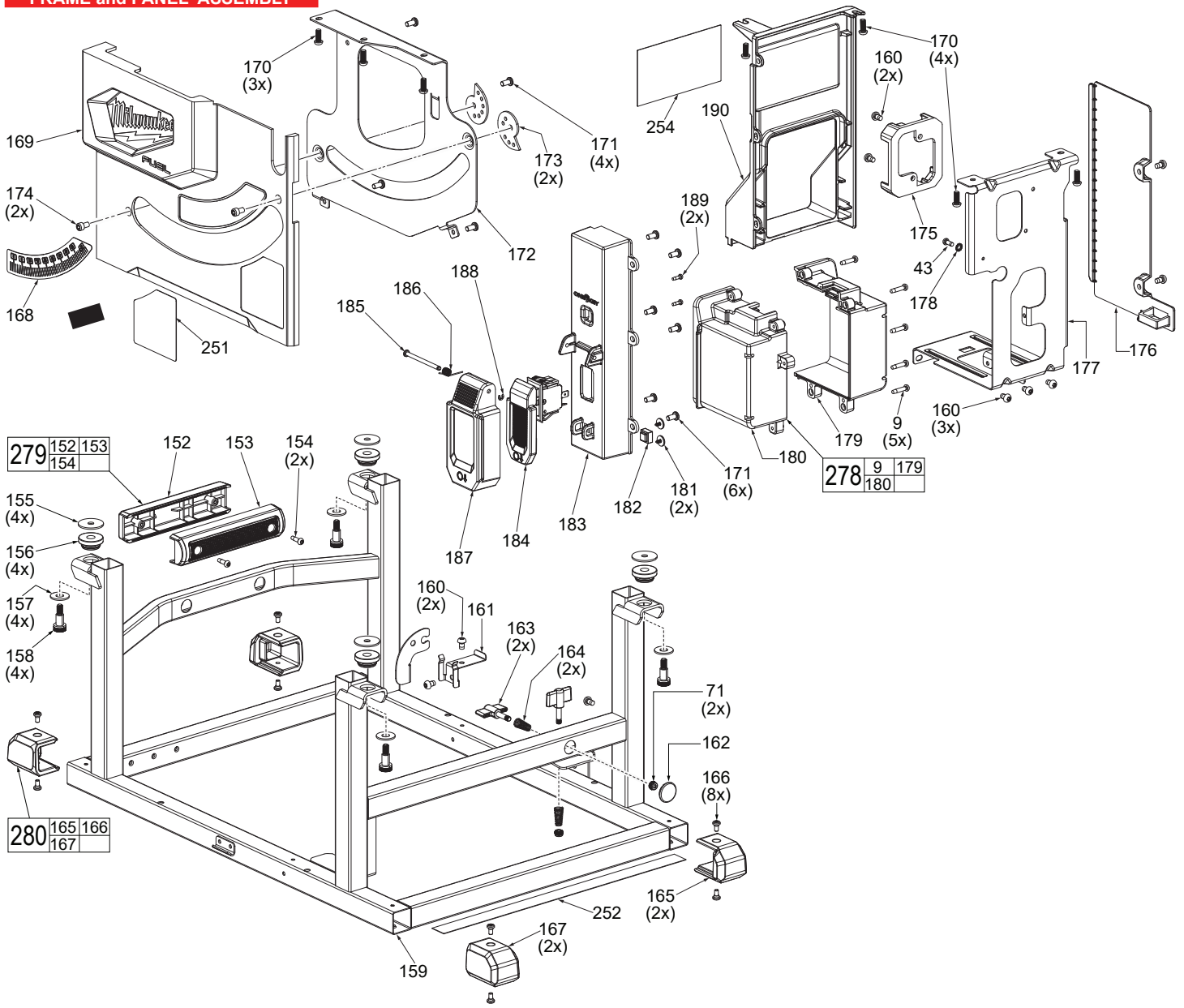
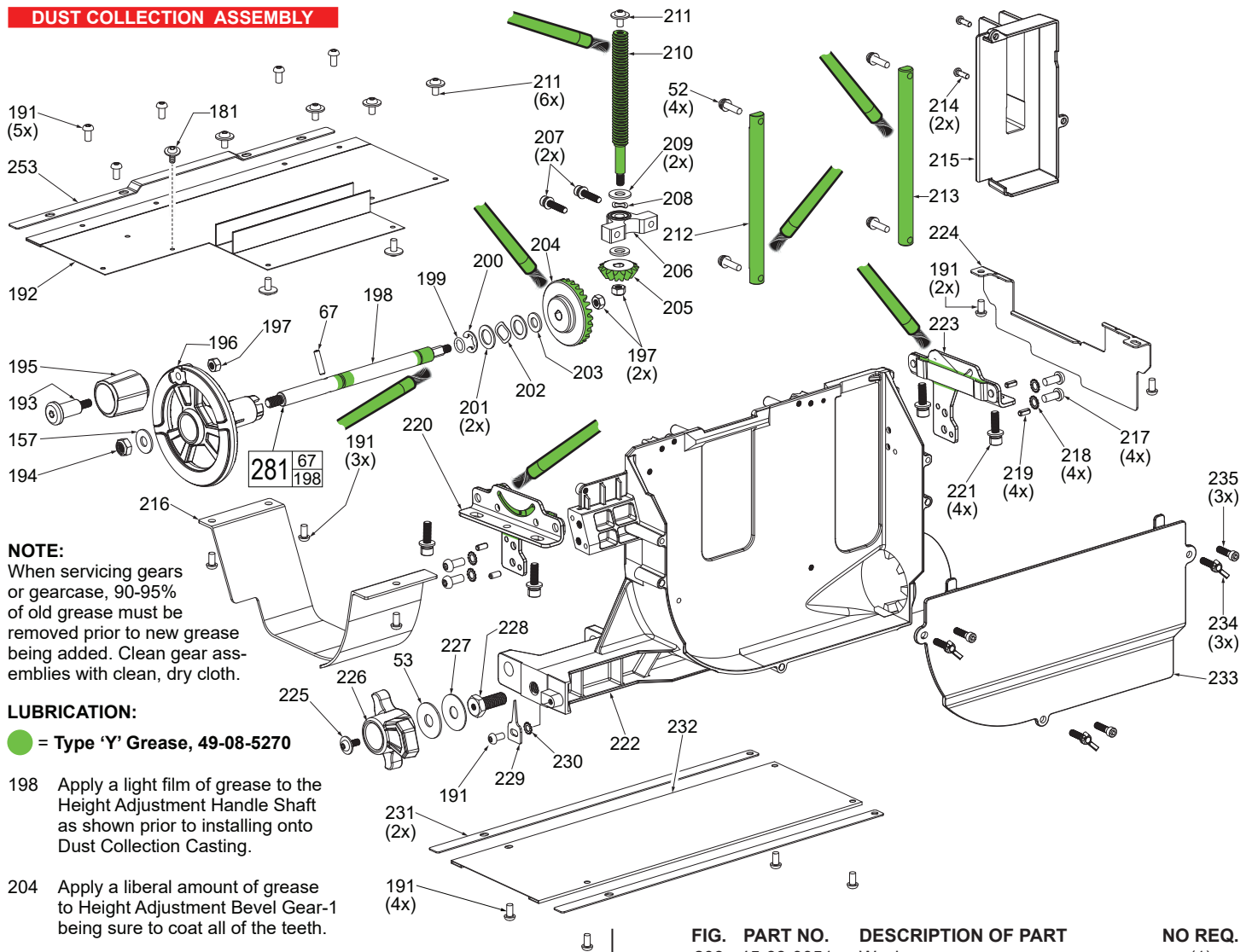


FIG.	PART NO.	DESCRIPTION OF PART	NO REQ.
	9	M4 x 18mm Pan Hd. ST T-20 Screw	(5)
	43	05-81-0022 M4 x 10mm Pan Hd. ST T-20 Screw	(1)
	71	06-55-0006 M5 Hex Nut with Nylon	(2)
	152	Handle Halve A	(1)
	153	Handle Halve B	(1)
	154	M4 x 13.5mm Pan Hd. ST T-20 Screw	(2)
	155	45-88-0046 Washer	(4)
	156	42-40-0012 Rubber Bushing	(4)
	157	45-88-0047 Washer	(4)
	158	05-89-0011 M6 x 11mm Cap Hd. Machine Screw, S5	(4)
	159	Frame	(1)
	160	06-82-0093 M5 x 8mm Pan Hd. Tapt. T-25 Screw	(7)
	161	42-70-0026 Miter Gauge Clip	(1)
	162	44-68-0011 16mm Plug	(1)
	163	43-98-0017 Tool-Less Lever	(2)
	164	40-50-0151 Spring	(2)
	165	Foot Cover A	(2)
	166	M4 x 6mm Pan Hd. Tapt. T-20 Screw	(8)
	167	Foot Cover B	(2)
	168	10-20-1681 Bevel Angle Label	(1)
	169	42-92-0013 Front Cover Panel	(1)
	170	06-82-0096 M5 x 13mm Pan Hd. T-25 Mach. Screw	(7)
	171	06-82-0098 M5 x 10mm Pan Hd. ST T-20 Screw	(10)
	172	44-66-0066 Bevel Plate	(1)
	173	42-50-0012 Bevel Adjustment Cam	(2)
	174	06-82-0101 M5 x 8mm Cap Washer Hd. Screw, S4	(2)
	175	43-72-0008 Relay Carrier	(1)
	176	42-92-0014 Electronic Cover	(1)

FIG.	PART NO.	DESCRIPTION OF PART	NO REQ.
	177	44-66-0067 Battery Plate	(1)
	178	05-91-0005 External Tooth Spring Washer	(1)
	179	Battery Housing Mount-Left	(1)
	180	Battery Housing Mount-Right	(1)
	181	06-82-0103 M3 x 6mm ST Screw	(2)
	182	23-27-0010 Magnet, Table Saw Switch Panel	(1)
	183	23-35-0010 Switch Panel	(1)
	184	23-66-0014 Switch	(1)
	185	44-60-0091 Pin	(1)
	186	40-50-0156 Switch Cover Spring	(1)
	187	42-92-0018 Switch Cover	(1)
	188	34-60-0022 E-Ring	(1)
	189	06-82-0106 M3 x 10mm Pan Hd. ST T-10 Screw	(2)
	190	42-92-0019 Side Cover Panel	(1)
	251	10-20-9003 Front Panel Label	(1)
	252	10-20-9004 Frame Label	(1)
	254	12-20-0124 Service Nameplate	(1)
	278	14-38-0036 Battery Housing Mount Kit	(1)
	279	14-34-0021 Handle Kit	(1)
	280	42-38-0022 Foot Cover Kit	(1)

## DUST COLLECTION ASSEMBLY



### NOTE:

When servicing gears or gearcase, 90-95% of old grease must be removed prior to new grease being added. Clean gear assemblies with clean, dry cloth.

### LUBRICATION:

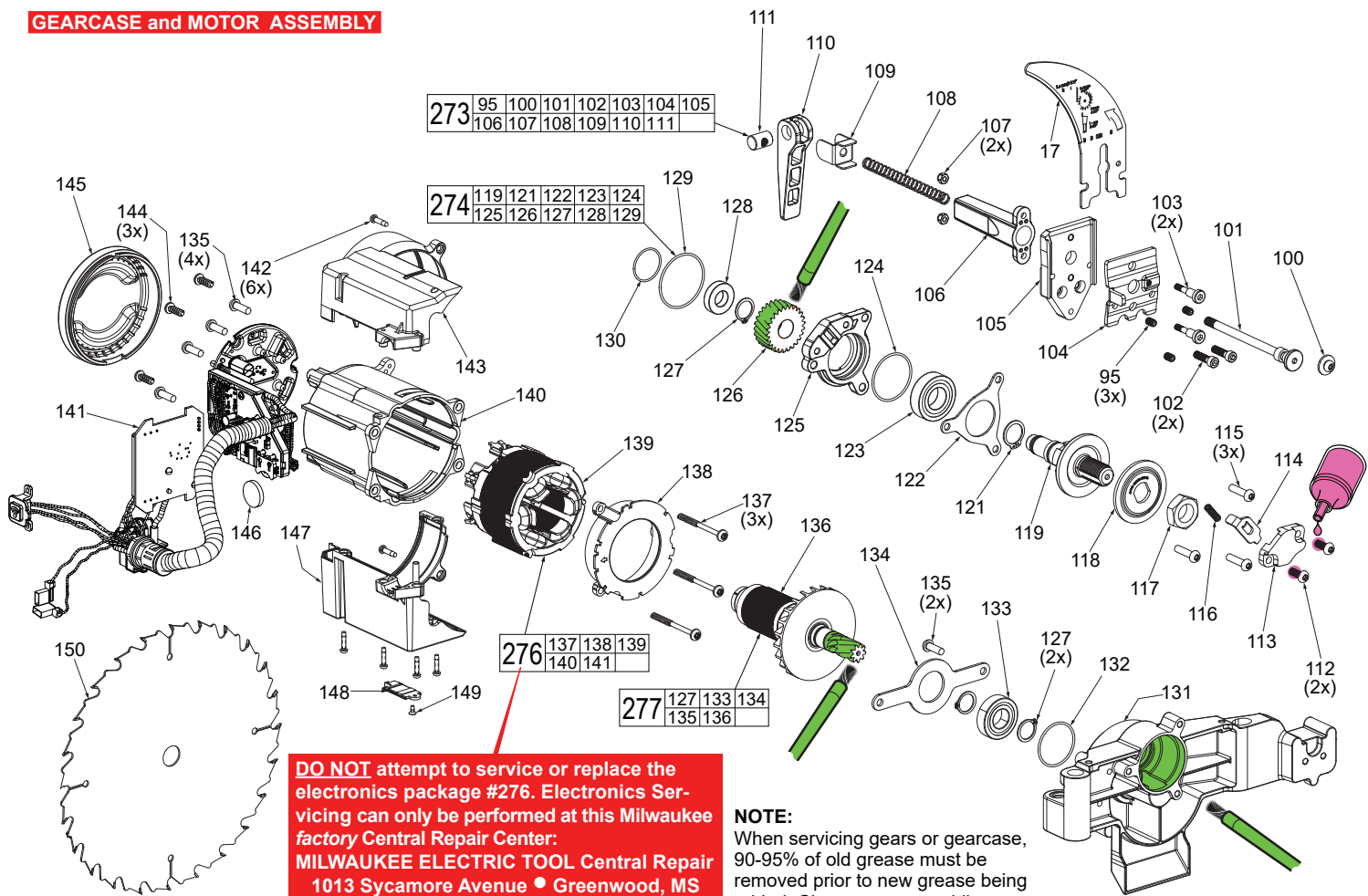
● = Type 'Y' Grease, 49-08-5270

- 198 Apply a light film of grease to the Height Adjustment Handle Shaft as shown prior to installing onto Dust Collection Casting.
- 204 Apply a liberal amount of grease to the Height Adjustment Bevel Gear-1 being sure to coat all of the teeth.
- 205 Apply a liberal amount of grease to the Height Adjustment Bevel Gear-2, being sure to coat all of the teeth.
- 210 Apply a light coat of grease to the threads and shaft of the Height Adjustment Screw.
- 212 Place a light film of grease to entire Height Adjustment Shaft-A.
- 213 Place a light film of grease to entire Height Adjustment Shaft-B.
- 220 Place a light coat of grease to the contact areas within the channel of the Front Bevel Mechanism.
- 223 Place a light coat of grease to the contact areas within the channel of the Back Bevel Mechanism.

FIG.	PART NO.	DESCRIPTION OF PART	NO REQ.
52	06-82-0072	M5 x 20mm Pan Hd. Sems T-25 Screw	(4)
53	45-88-0008	Washer	(1)
67	-----	Spring Pin	(1)
157	45-88-0047	Washer	(1)
181	06-82-0103	M3 x 6mm ST Screw	(1)
191	06-82-0108	M5 x 10mm Pan Hd. T-25 Mach. Screw	(15)
192	42-92-0021	Cloth Dust Cover-2	(1)
193	05-89-0012	M6 x 13mm CH Mach. Screw, S5	(1)
194	06-55-0008	M8 Hex Nut with Nylon	(1)
195	43-98-0019	Height Adjustment Knob	(1)
196	45-94-0011	Height Adjustment Disk	(1)
197	06-55-0012	M6 Hex Nut with Nylon	(3)
198	-----	Height Adjustment Handle Shaft	(1)
199	34-40-0106	O-Ring	(1)
200	34-60-0019	E-Ring	(1)
201	45-88-0048	Washer	(2)
202	45-88-0049	Wave Washer	(1)

FIG.	PART NO.	DESCRIPTION OF PART	NO REQ.
203	45-88-0051	Washer	(1)
204	32-05-0012	Height Adjustment Bevel Gear-1	(1)
205	32-05-0013	Height Adjustment Bevel Gear-2	(1)
206	42-28-0011	Height Adjustment Block	(1)
207	06-75-0027	M5 x 24mm Cap Hd. Sems Screw, S4	(2)
208	45-88-0059	Wave Washer	(1)
209	45-88-0060	Washer	(1)
210	45-04-0011	Height Adjustment Screw	(1)
211	06-82-0111	M5 x 10mm Pan Hd. T-25 Sems Screw	(7)
212	45-08-0011	Height Adjustment Shaft-A	(1)
213	45-08-0012	Height Adjustment Shaft-B	(1)
214	06-82-0113	M4 x 12mm Pan Hd. T-20 Mach. Screw	(2)
215	42-92-0023	Riving Knife Dust Cover	(1)
216	42-92-0022	Front Dust Cover	(1)
217	06-82-0107	M6 x 14mm Pan Hd. T-25 Mach. Screw	(4)
218	05-91-0010	External Tooth Spring Washer	(4)
219	44-60-0092	Spring Pin	(4)
220	14-04-0005	Front Bevel Mechanism Assembly	(1)
221	06-75-0031	M6 x 21.5mm Cap Hd. Sems, S5	(4)
222	28-50-0011	Dust Collection Casting	(1)
223	14-04-0035	Back Bevel Mechanism Assembly	(1)
224	42-92-0024	Back Dust Cover	(1)
225	06-82-0109	M5 x 13mm Pan Hd. Sems T-25 Screw	(1)
226	31-44-0122	Bevel Handle	(1)
227	45-88-0065	Washer	(1)
228	05-77-0011	M10 x 25mm Hex Machine Screw, M5	(1)
229	44-72-0015	Bevel Indicator	(1)
230	05-91-0015	External Tooth Spring Washer	(1)
231	44-66-0068	Dust Cloth Insert Plate	(2)
232	42-92-0026	Cloth Dust Cover-1	(1)
233	42-92-0027	Dust Collection Cover	(1)
234	05-77-0012	M5 x 16mm Wing Screw	(3)
235	06-75-0029	M5 x 18mm Cap Hd. Mach. Screw, S4	(3)
253	44-66-0069	Dust Cloth Insert Plate-2	(1)
281	45-08-0013	Height Adjustment Handle Shaft Assy.	(1)

**GEARCASE and MOTOR ASSEMBLY**



**DO NOT attempt to service or replace the electronics package #276. Electronics Servicing can only be performed at this Milwaukee factory Central Repair Center: MILWAUKEE ELECTRIC TOOL Central Repair 1013 Sycamore Avenue • Greenwood, MS 38930-7277**

**NOTE:**  
When servicing gears or gearcase, 90-95% of old grease must be removed prior to new grease being added. Clean gear assemblies with clean, dry cloth.

FIG.	PART NO.	DESCRIPTION OF PART	NO REQ.
17	43-97-0010	Riving Knife	(1)
95	06-83-0011	M5 x 8mm Set Screw, S2.5	(3)
100	-----	M4 x 8mm Pan Hd. T-20 Sems Screw	(1)
101	-----	Stem	(1)
102	-----	M5 x 16mm Cap Hd. Mach. Screw, S4	(2)
103	-----	M4 x 22.5mm Cap Hd. Mach. Screw, S4	(2)
104	-----	Bowed Retainer	(1)
105	-----	Riving Knife Attachment Plate	(1)
106	-----	Spring Sleeve	(1)
107	-----	M4 Hex Nut with Nylon	(2)
108	-----	Spring	(1)
109	-----	Anyi-Rotating Washer	(1)
110	-----	Riving Knife Clamp Handle	(1)
111	-----	Handle Shaft	(1)
112	06-82-0076	M5 x 13mm Pan Hd. T-25 Mach. Screw	(2)
113	44-66-0043	Blade Change Outer Plate	(1)
114	44-66-0044	Blade Locking Plate	(1)
115	06-82-0078	M5 x 20mm Pan Hd. T-25 Mach. Screw	(3)
116	40-50-0146	Spring	(1)
117	06-55-0007	5/8-18 UNF RH Hex Nut	(1)
118	43-34-0011	Outer Flange Washer	(1)
119	-----	Blade Shaft	(1)
121	-----	Retaining Ring	(1)
122	-----	Gearcase Bearing Plate	(1)
123	-----	Sealed Bearing	(1)
124	-----	O-Ring	(1)
125	-----	Gearcase Cap	(1)
126	-----	Helical Gear	(1)
127	-----	Retaining Ring	(3)
128	-----	Sealed Bearing	(1)
129	34-40-0101	O-Ring	(1)
130	34-40-0103	O-Ring	(1)
131	28-14-0006	Gearcase	(1)
132	34-40-0104	O-Ring	(1)
133	-----	Sealed Bearing	(1)
134	-----	Motor Bearing Plate	(1)
135	06-82-0081	M5 x 15mm Pan Hd. T-25 Mach. Screw	(6)
136	-----	Rotor	(1)

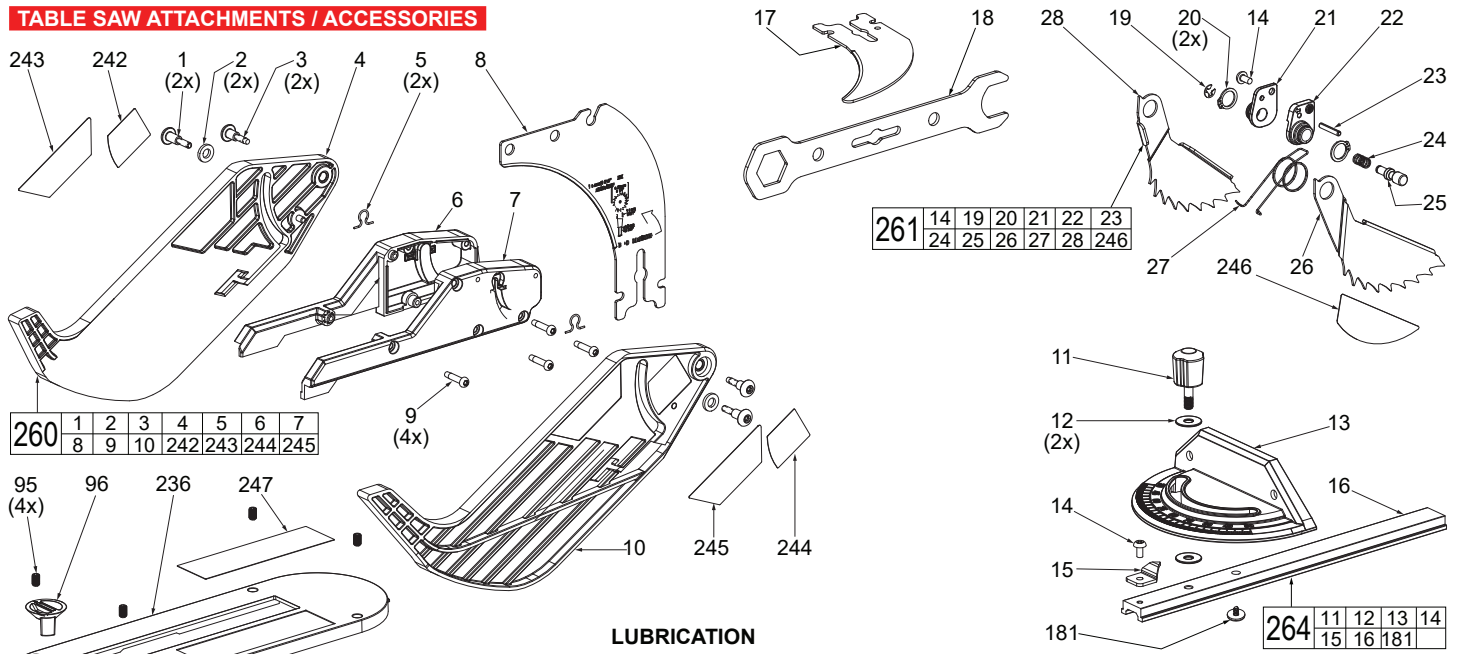
**LUBRICATION:**

- = Type 'Y' Grease, 49-08-5270
- = 277 Red Loctite® 44-22-0325

- 112 Apply a drop of Red Loctite 277 to the threads of screws prior to installing on Blade Change Outer Plate.
- 126 Place a liberal amount of grease to the Helical Gear being sure to coat all gear teeth.
- 131 Place a heavy coat of grease in the gear cavity of Gearcase.
- 136 Apply a liberal amount of grease to the Pinion Gear of the Rotor Assembly, being sure to cover all gear teeth.

FIG.	PART NO.	DESCRIPTION OF PART	NO REQ.
137	-----	M4.5 x 22mm Pan Hd. T-20 Screw	(3)
138	-----	Fan Baffle	(1)
139	-----	Stator	(1)
140	-----	Motor Housing	(1)
141	-----	PCBA	(1)
142	06-82-0083	M3.5 x 14mm Pan Hd. ST T-10 Screw	(6)
143	31-50-0011	Top Motor Cover	(1)
144	06-82-0087	M4.5 x 14mm Pan Hd. ST T-20 Screw	(3)
145	42-52-0018	Motor End Cap	(1)
146	50-11-0020	Coin Cell Battery (CR-2032N/BN)	(1)
147	31-50-0012	Bottom Motor Cover	(1)
148	31-21-0011	One-Key Battery Cover	(1)
149	06-82-0089	M2.6 x 6mm Pan Hd. ST Phillips Screw	(1)
150	42-26-0011	8.25" Blade	(1)
273	42-68-0014	Riving Knife Clamp Assembly	(1)
274	14-30-0031	Blade Shaft with Gearcase Cap Assy.	(1)
276	-----	Electronics Assembly	(1)
277	16-07-0010	Rotor Assembly	(1)

**TABLE SAW ATTACHMENTS / ACCESSORIES**



**LUBRICATION**

= 277 Red Loctite<sup>®</sup> 44-22-0325

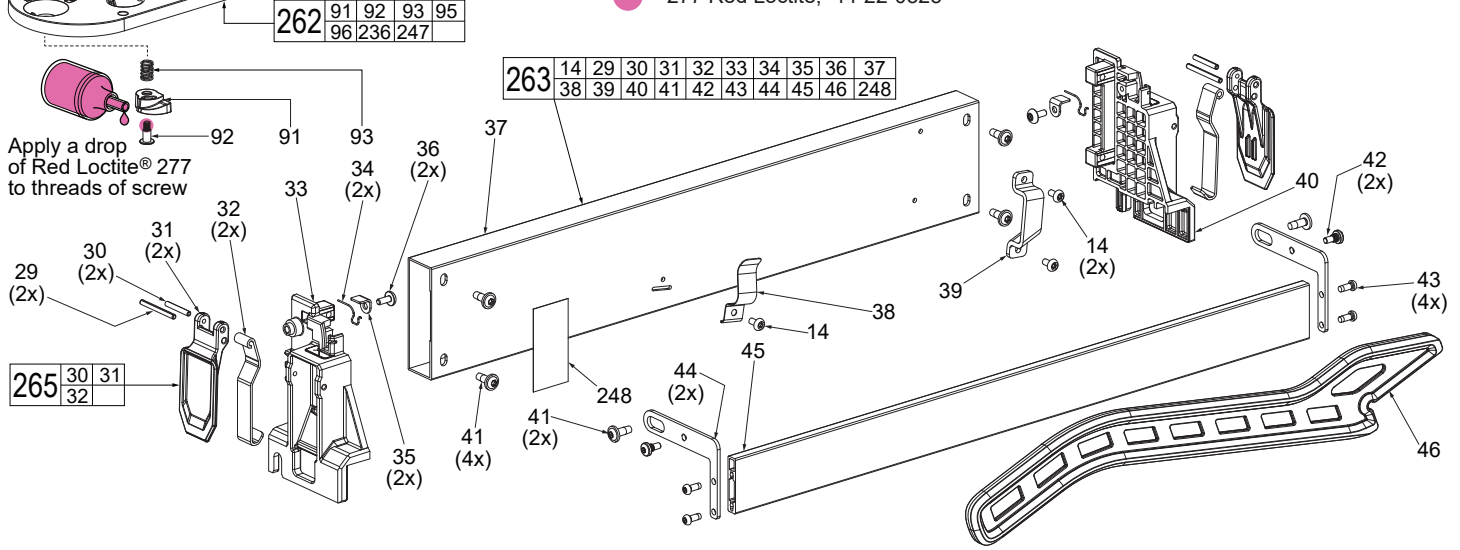


FIG.	PART NO.	DESCRIPTION OF PART	NO REQ.
1	-----	M4 x 12mm Pan Hd. ST T-20 Screw	(2)
2	-----	Flat Washer	(2)
3	-----	M4 x 12mm Pan Hd. ST T-20 Screw	(2)
4	-----	Left Blade Guard Wing	(1)
5	-----	Spring Clip	(2)
6	-----	Blade Guard Base-Right	(1)
7	-----	Blade Guard Base-Left	(1)
8	-----	Extended Riving Knife	(1)
9	-----	M4 x 18mm Pan Hd. ST T-20 Screw	(4)
10	-----	Right Blade Guard Wing	(1)
11	-----	Miter Gauge Knob	(1)
12	-----	Washer	(2)
13	-----	Miter Gauge	(1)
14	06-82-0056	M4 x 8mm Pan Hd. T-20 Mach. Screw	(5)
15	-----	Miter Gauge Indicator	(1)
16	-----	Miter Gauge Extrusion	(1)
17	43-97-0010	Riving Knife	(1)
18	45-96-0020	Wrench	(1)
19	-----	E-Ring	(1)
20	-----	Retaining Ring	(2)
21	-----	Anti-Kickback Pawl Bracket-Right Side	(1)
22	-----	Anti-Kickback Pawl Bracket-Left Side	(1)
23	-----	Spring Pin	(1)
24	-----	Spring	(1)
25	-----	Anti-Kickback Pawl Button	(1)
26	-----	Anti-Kickback Pawl-Left	(1)
27	40-50-0081	Spring	(1)
28	-----	Anti-Kickback Pawl-Right	(1)
29	44-60-0087	3 x 35mm Spring Pin	(2)
30	44-60-0088	3 x 24mm Spring Pin	(2)
31	44-20-0013	Fence Latching Handle	(2)
32	40-50-0098	Fence Latching Spring	(2)
33	42-52-0013	Right Fence Latching Cap	(1)

34	40-50-0103	Spring	(2)
35	42-36-0012	Press Spring Bracket	(2)
36	05-81-0018	M4 x 10mm Pan Hd. Tapt. T-25 Screw	(2)
37	42-30-0005	Primary Fence Extrusion	(1)
38	40-50-0108	Push Stick Attachment Spring	(1)
39	42-36-0013	Push Stick Attachment Bracket	(1)
40	42-52-0015	Left Fence Latching Cap	(1)
41	05-81-0019	M5 x 13mm Pan Washer Hd. T-25 Scr.	(6)
42	05-81-0021	M5 x 4mm Pan Hd. T-20 Mach. Screw	(2)
43	05-81-0022	M4 x 10mm Pan Hd. Tapt. T-20 Screw	(4)
44	42-36-0014	Secondary Fence Bracket	(2)
45	42-30-0006	Secondary Fence Extrusion	(1)
46	43-72-0007	Push Stick	(1)
91	42-50-0011	Throat Plate Cam	(1)
92	05-89-0010	M4 x 14 Pan Washer Hd. T-20 Screw	(1)
93	40-50-0141	Spring	(1)
95	06-83-0011	M5 x 8mm Set Screw, S2.5	(4)
96	43-98-0021	Throat Plate Attachment Knob	(1)
181	06-82-0103	M3 x 6mm ST Screw	(1)
236	44-66-0046	Dado Throat Plate	(1)
242	10-20-9001	Blade Guard Wing Label-Left 1	(1)
243	10-20-9002	Blade Guard Wing Label-Left 2	(1)
244	10-20-9008	Blade Guard Wing Label-Right 3	(1)
245	10-20-9009	Blade Guard Wing Label-Right 4	(1)
246	10-20-9012	Anti Kickback Label	(1)
247	10-20-9011	Dado Throat Plate Label	(1)
248	10-20-9013	Fence Adjustment Label	(1)
260	14-32-0015	Blade Guard Wing Assembly	(1)
261	14-02-0005	Anti-Kickback Assembly	(1)
262	14-67-0010	Throat Plate (Dado) Assembly	(1)
263	28-35-0015	Fence Assembly	(2)
264	43-46-0015	Miter Gauge Assembly	(1)
265	44-20-0017	Fence Latching Handle and Spring Assy.	(2)

# SCREW TORQUE SPECIFICATIONS

FIG.	PART NO.	DESCRIPTION OF FASTENER	WHERE USED	SEAT TORQUE	
				(KG/CM)	(IN/LBS)
<b>TABLE TOP and RAIL ASSEMBLIES</b>					
47	06-55-0005	M10 Hex Nut with Nylon	Fence Pinion Knob	30-35	26-30
52	06-82-0072	M5 x 20mm Pan Hd. Sems T-25 Nylok Screw	Fence Pinion Bushing Bracket	32-36	27-31
63	06-82-0074	M5 x 13mm Pan Hd. Sems T-25 Nylok Screw	Clamping Plate	32-36	27-31
65	06-55-0011	M6 Hex Nut	Latching Adjustment Shaft	80-85	69-73
71	06-55-0006	M5 Hex Nut with Nylon	Fence Lock Handle	13-18	11-15
89	06-75-0011	M6 x 8mm Pan Hd. Washer Screw, S4	Fence Length Indicator	10-15	8-13
90	06-75-0022	M6 x 6mm CWH Machine Screw, S4	Sliding Fence Rail	28-32	24-27
92	05-89-0010	M4 x 14mm PWH T-20 Tapitite Screw	Throat Plate Cam	22-26	19-22
<b>FRAME and PANEL ASSEMBLIES</b>					
9	-----	M4 x 18mm Pan Hd. ST T-20 Screw	Battery Housing Mount-Left	10-15	8-13
43	05-81-0022	M4 x 10mm Pan Hd. ST T-20 Screw	Battery Plate	12-15	10-13
71	06-55-0006	M5 Hex Nut with Nylon	Tool-Less Lever	15-20	13-16
154	-----	M4 x 13.5mm Pan Hd. ST T-20 Screw	Handle Halve B	9-11	7-9
158	05-89-0011	M6 x 11mm Cap Hd. Machine Screw, S5	Frame	55-60	47-52
160	06-82-0093	M5 x 8mm Pan Hd. Tapitite T-25 Screw	Miter Gage Clip	15-20	13-16
160	06-82-0093	M5 x 8mm Pan Hd. Tapitite T-25 Screw	Electronic Cover	8-12	7-10
160	06-82-0093	M5 x 8mm Pan Hd. Tapitite T-25 Screw	Relay Carrier	20-25	16-21
166	-----	M4 x 6mm Pan Hd. Tapitite T-20 Screw	Foot Cover	15-20	13-16
170	06-82-0096	M5 x 13mm Pan Hd. T-25 Machine Screw	Bevel Plate, Battery Plate	35-40	30-34
170	06-82-0096	M5 x 13mm Pan Hd. T-25 Machine Screw	Side Cover Panel	7-9	6-7
171	06-82-0098	M5 x 10mm Pan Hd. ST T-20 Screw	Switch Panel, Bevel Adjustment Cam	7-9	6-7
174	06-82-0101	M5 x 8mm Cap Washer Head Screw, S4	Front Cover Panel	80-85	69-73
181	06-82-0103	M3 x 6mm ST Screw	Switch Panel	4-5	3-4
189	06-82-0106	M3 x 10mm Pan Hd. ST T-10 Screw	Switch Panel	4-5	3-4
<b>DUST COLLECTION ASSEMBLY</b>					
52	06-82-0072	M5 x 20mm Pan Hd. Sems T-25 Screw	Height Adjustment Shafts	35-40	30-34
181	06-82-0103	M3 x 6mm ST Screw	Cloth Dust Cover-2	6-7	5-6
191	06-82-0108	M5 x 10mm Pan Hd. T-25 Machine Screw	Cloth Dust Cover-2	14-17	12-14
191	06-82-0108	M5 x 10mm Pan Hd. T-25 Machine Screw	Front Dust Cover	8-10	7-8
191	06-82-0108	M5 x 10mm Pan Hd. T-25 Machine Screw	Bevel Indicator	20-25	16-21
191	06-82-0108	M5 x 10mm Pan Hd. T-25 Machine Screw	Cloth Dust Cover-1	20-25	16-21
191	06-82-0108	M5 x 10mm Pan Hd. T-25 Machine Screw	Back Dust Cover	30-34	26-29
193	05-89-0012	M6 x 13mmCH Machine Screw, S5	Height Adjustment Knob	20-25	16-21
194	06-55-0008	M8 Hex Nut with Nylon	Height Adjustment Disk	20-25	16-21
197	06-55-0012	M6 Hex Nut with Nylon	Height Adjustment Bevel Gears 1 & 2	20-26	16-22
207	06-75-0027	M5 x 24mm Cap Hd. Sems Screw, S4	Height Adjustment Block	35-40	30-34
211	06-82-0111	M5 x 10mm Pan Hd. T-25 Sems Screw	Cloth Dust Cover-2	14-17	12-14
211	06-82-0111	M5 x 10mm Pan Hd. T-25 Sems Screw	Height Adjustment Screw	20-26	16-22
214	06-82-0113	M4 x 12mm Pan Hd. T-20 Machine Screw	Riving Knife Dust Cover	6-7	5-6
217	06-82-0107	M6 x 14mm Pan Hd. T-25 Machine Screw	Front & Back Bevel Mechanism Assemblies	65-70	56-60
221	06-75-0031	M6 x 21.5mm Cap Hd. Sems, S5	Front & Back Bevel Mechanism Assemblies	90-100	78-86
225	06-82-0109	M5 x 13mm Pan Hd. Sems T-25 Screw	Bevel Handle	20-25	16-21
228	05-77-0011	M10 x 25mm Hex Machine Screw, M5	Dust Collection Casting	40-43	34-37
234	05-77-0012	M5 x 16mm Wing Screw	Dust Collection Cover	8-10	7-8
235	06-75-0029	M5 x 18mm Cap hd. Machine Screw, S4	Dust Collection Casting	8-10	7-8
<b>GEARCASE and MOTOR ASSEMBLIES</b>					
100	-----	M4 x 8mm Pan Hd. T-20 Sems Screw	Bowed Retainer	25-33	21-28
101	-----	Stem	Bowed Retainer	28-32	24-27
102	-----	M5 x 16mm Cap Hd. Machine Screw, S4	Bowed Retainer	30-36	26-31
103	-----	M4 x 22.5mm Cap Hd. Machine Screw, S4	Bowed Retainer	20-25	16-21
112	06-82-0076	M5 x 13mm Pan Hd. T-25 Machine Screw	Blade Change Outer Plate	40-45	34-39
115	06-82-0078	M5 x 20mm Pan Hd. T-25 Machine Screw	Gearcase Bearing Plate	35-40	30-34
117	06-55-0007	5/8-18 UNF RH Hex Nut	Blade Shaft	100-110	86-95
135	06-82-0081	M5 x 15mm Pan Hd. T-25 Machine Screw	Motor Bearing Plate	35-40	30-34
135	06-82-0081	M5 x 15mm Pan Hd. T-25 Machine Screw	PCBA	15-18	13-15
137	-----	M4.5 x 22mm Pan Hd. T-20 Screw	Fan Baffle, Stator	22-28	19-24
142	06-82-0083	M3.5 x 14mm Pan Hd. ST T-10 Screw	Top Motor Cover	8-10	7-8
144	06-82-0087	M4.5 x 14mm Pan Hd. ST T-20 Screw	Motor Housing	8-12	7-10
149	06-82-0089	M2.6 x 6mm Pan Hd. ST Phillips Screw	One-Key Battery Cover	2.5-3.5	2-3
<b>TABLE SAW ATTACHMENTS and ACCESSORIES</b>					
1	-----	M4 x 12mm Pan Hd. ST T-20 Screw	Left Blade Guard Wing	10-11	8-9
3	-----	M4 x 12mm Pan Hd. ST T-20 Screw	Left Blade Guard Wing	10-11	8-9
9	-----	M4 x 18mm Pan Hd. ST T-20 Screw	Blade Guard Base-Left	10-15	8-13
14	06-82-0056	M4 x 8mm Pan Hd. T-20 Machine Screw	Miter Gauge Indicator	15-18	13-15
14	06-82-0056	M4 x 8mm Pan Hd. T-20 Machine Screw	Anti-Kickback Pawl Bracket-Right Side	15-18	13-15
14	06-82-0056	M4 x 8mm Pan Hd. T-20 Machine Screw	Push Stick Attachment Spring & Bracket	10-14	8-12
36	05-81-0018	M4 x 10mm Pan Hd. Tapitite T-25 Screw	Press Spring Bracket, Fence Latching Caps	14-18	12-15
41	05-81-0019	M5 x 13mm Pan Washer Hd. T-25 Screw	Primary Fence Extrusion, Fence Bracket	36-40	31-34
42	05-81-0021	M5 x 4mm Pan Hd. T-20 Machine Screw	Secondary Fence Bracket	18-23	15-19
43	05-81-0022	M4 x 10mm Pan Hd. Tapitite T-20 Screw	Secondary Fence Bracket & Extrusion	18-23	15-19
92	05-89-0010	M4 x 14mm Pan Washer Hd. T-20 Screw	Throat Plate Cam	22-26	19-22
181	06-82-0103	M3 x 6mm ST Screw	Miter Gauge Extrusion	4-6	3-5