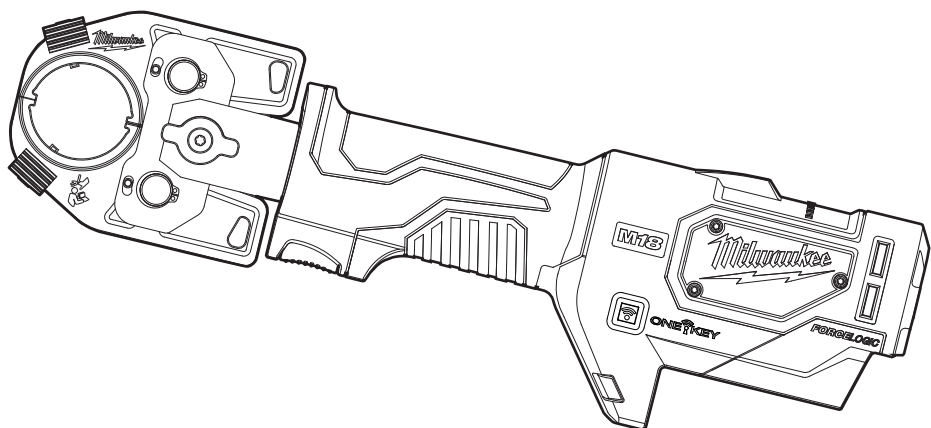




OPERATOR'S MANUAL
MANUEL de L'UTILISATEUR
MANUAL del OPERADOR



Cat. No. / No de cat.
2679-20

M18™ FORCELOGIC™ 600 MCM CRIMPER
SERTISSEUR UTILITAIRE 600 MCM M18™ FORCELOGIC™
CRIMPADORA 600 MCM UTILITARIA M18™ FORCELOGIC™



WARNING To reduce the risk of injury, user must read and understand operator's manual.

AVERTISSEMENT Afin de réduire le risque de blessures, l'utilisateur doit lire et bien comprendre le manuel.

ADVERTENCIA Para reducir el riesgo de lesiones, el usuario debe leer y entender el manual.

GENERAL POWER TOOL SAFETY WARNINGS

⚠WARNING Read all safety warnings, instructions, illustrations and specifications provided with this power tool. Failure to follow all instructions listed below may result in electric shock, fire and/or serious injury. **Save all warnings and instructions for future reference.** The term "power tool" in the warnings refers to your mains-operated (corded) power tool or battery-operated (cordless) power tool.

WORK AREA SAFETY

- **Keep work area clean and well lit.** Cluttered or dark areas invite accidents.
- **Do not operate power tools in explosive atmospheres, such as in the presence of flammable liquids, gases or dust.** Power tools create sparks which may ignite the dust or fumes.
- **Keep children and bystanders away while operating a power tool.** Distractions can cause you to lose control.

ELECTRICAL SAFETY

- **Power tool plugs must match the outlet. Never modify the plug in any way. Do not use any adapter plugs with earthed (grounded) power tools.** Unmodified plugs and matching outlets will reduce risk of electric shock.
- **Avoid body contact with earthed or grounded surfaces, such as pipes, radiators, ranges and refrigerators.** There is an increased risk of electric shock if your body is earthed or grounded.
- **Do not expose power tools to rain or wet conditions.** Water entering a power tool will increase the risk of electric shock.
- **Do not abuse the cord. Never use the cord for carrying, pulling or unplugging the power tool. Keep cord away from heat, oil, sharp edges or moving parts.** Damaged or entangled cords increase the risk of electric shock.
- **When operating a power tool outdoors, use an extension cord suitable for outdoor use.** Use of a cord suitable for outdoor use reduces the risk of electric shock.
- **If operating a power tool in a damp location is unavoidable, use a ground fault circuit interrupter (GFCI) protected supply.** Use of an GFCI reduces the risk of electric shock.

PERSONAL SAFETY

- **Stay alert, watch what you are doing and use common sense when operating a power tool. Do not use a power tool while you are tired or under the influence of drugs, alcohol or medication.** A moment of inattention while operating power tools may result in serious personal injury.
- **Use personal protective equipment. Always wear eye protection.** Protective equipment such as a dust mask, non-skid safety shoes, hard hat or hearing protection used for appropriate conditions will reduce personal injuries.
- **Prevent unintentional starting. Ensure the switch is in the off-position before connecting to power source and/or battery pack, picking up or carrying the tool.** Carrying power tools with your finger on the switch or energizing power tools that have the switch on invites accidents.

- **Remove any adjusting key or wrench before turning the power tool on.** A wrench or a key left attached to a rotating part of the power tool may result in personal injury.
- **Do not overreach. Keep proper footing and balance at all times.** This enables better control of the power tool in unexpected situations.
- **Dress properly. Do not wear loose clothing or jewelry. Keep your hair and clothing away from moving parts.** Loose clothes, jewelry or long hair can be caught in moving parts.
- **If devices are provided for the connection of dust extraction and collection facilities, ensure these are connected and properly used.** Use of dust collection can reduce dust-related hazards.
- **Do not let familiarity gained from frequent use of tools allow you to become complacent and ignore tool safety principles.** A careless action can cause severe injury within a fraction of a second.

POWER TOOL USE AND CARE

- **Do not force the power tool. Use the correct power tool for your application.** The correct power tool will do the job better and safer at the rate for which it was designed.
- **Do not use the power tool if the switch does not turn it on and off.** Any power tool that cannot be controlled with the switch is dangerous and must be repaired.
- **Disconnect the plug from the power source and/or remove the battery pack, if detachable, from the power tool before making any adjustments, changing accessories, or storing power tools.** Such preventive safety measures reduce the risk of starting the power tool accidentally.
- **Store idle power tools out of the reach of children and do not allow persons unfamiliar with the power tool or these instructions to operate the power tool.** Power tools are dangerous in the hands of untrained users.
- **Maintain power tools and accessories. Check for misalignment or binding of moving parts, breakage of parts and any other condition that may affect the power tool's operation. If damaged, have the power tool repaired before use.** Many accidents are caused by poorly maintained power tools.
- **Keep cutting tools sharp and clean.** Properly maintained cutting tools with sharp cutting edges are less likely to bind and are easier to control.
- **Use the power tool, accessories and tool bits etc. in accordance with these instructions, taking into account the working conditions and the work to be performed.** Use of the power tool for operations different from those intended could result in a hazardous situation.
- **Keep handles and grasping surfaces dry, clean and free from oil and grease.** Slippery handles and grasping surfaces do not allow for safe handling and control of the tool in unexpected situations.

BATTERY TOOL USE AND CARE

- **Recharge only with the charger specified by the manufacturer.** A charger that is suitable for one type of battery pack may create a risk of fire when used with another battery pack.
- **Use power tools only with specifically designated battery packs.** Use of any other battery packs may create a risk of injury and fire.

- **When battery pack is not in use, keep it away from other metal objects, like paper clips, coins, keys, nails, screws or other small metal objects, that can make a connection from one terminal to another.** Shorting the battery terminals together may cause burns or a fire.
- **Under abusive conditions, liquid may be ejected from the battery; avoid contact. If contact accidentally occurs, flush with water. If liquid contacts eyes, additionally seek medical help.** Liquid ejected from the battery may cause irritation or burns.
- **Do not use a battery pack or tool that is damaged or modified.** Damaged or modified batteries may exhibit unpredictable behavior resulting in fire, explosion or risk of injury.
- **Do not expose a battery pack or tool to fire or excessive temperature.** Exposure to fire or temperature above 265°F (130°C) may cause explosion.
- **Follow all charging instructions and do not charge the battery pack or tool outside the temperature range specified in the instructions.** Charging improperly or at temperatures outside the specified range may damage the battery and increase the risk of fire.

SERVICE

- **Have your power tool serviced by a qualified repair person using only identical replacement parts.** This will ensure that the safety of the power tool is maintained.
- **Never service damaged battery packs.** Service of battery packs should only be performed by the manufacturer or authorized service providers.

SPECIFIC SAFETY RULES FOR CRIMPER

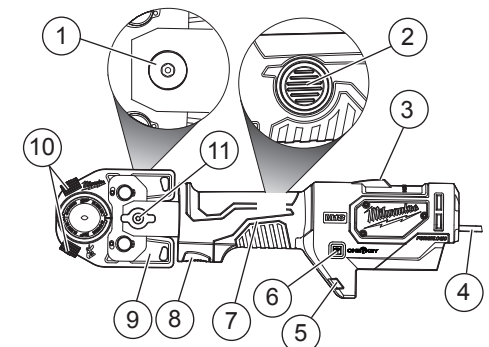
- **Use tool only as directed. Only trained personnel should operate tool.**
- **⚠WARNING** To reduce the risk of explosion, electric shock and property damage, do not use on live electrical lines. Tool is NOT insulated. Contact with a live circuit could result in severe injury or death. Turn off power before making a crimp.
- **Use tool only with MILWAUKEE crimping jaw 49-16-U000, "U" dies, and connectors for which they are rated. Jaws, dies, and connectors must be used in an APPROVED COMBINATION to achieve a successful operation.** Improper combinations can result in a faulty crimp. Electric shock, fire, explosion, and property damage could occur.
- **Do not use tool without crimping jaws installed.** Fingers could be crushed.
- **Keep hands away from crimping jaws while tool is in use.** Fingers could be crushed.
- **To reduce the risk of injury, wear safety goggles or glasses with side shields when operating or servicing the tool.**
- **Inspect and discard workpieces with cracks or wear before use. Materials may crack or shatter.**
- **Follow connector manufacturers' installation instructions.** Other uses may cause damage to the tool, accessories, and workpiece.
- **Maintain labels and nameplates.** These carry important information. If unreadable or missing, contact a MILWAUKEE service facility for a free replacement.

- **⚠WARNING** Some dust created by power sanding, sawing, grinding, drilling, and other construction activities contains chemicals known to cause cancer, birth defects or other reproductive harm. Some examples of these chemicals are:
 - lead from lead-based paint
 - crystalline silica from bricks and cement and other masonry products, and
 - arsenic and chromium from chemically-treated lumber.
 Your risk from these exposures varies, depending on how often you do this type of work. To reduce your exposure to these chemicals: work in a well ventilated area, and work with approved safety equipment, such as those dust masks that are specially designed to filter out microscopic particles.

SPECIFICATIONS

Cat. No.	2679-20
Volts	18 DC
Battery Type	M18™
Charger Type	M18™
Operating Temp	0° - 122° F
Force	6 Tons

FUNCTIONAL DESCRIPTION



- | | |
|-------------------------|----------------------|
| 1. Locking thumb screw | 7. Handle |
| 2. Backup release valve | 8. Trigger |
| 3. Crimping indicator | 9. Crimping jaws |
| 4. Hanger | 10. Die release tabs |
| 5. LEDs | 11. Retaining pin |
| 6. ONE KEY indicator | |



Connections made with this tool (2679-20), jaw (49-16-U000) and combination of die and connector part numbers in the charts below produce cULus Classified crimps according to the UL 486A-B classification standards.

Copper Short & Long Barrel Lugs & Splices

	Anderson	Blackburn®	Burndy	ILSCO	Panduit	Penn-Union	T&B
Splice Model #'s	VHSS VHS	CSP CU	YS YS-L YS-T	CT CTL	SCSS SCS SCL SCH	BCU BBCU	54504-54520-TB 54804-54820
Lug Model #'s	VHCS VHCL	CTL-2 CTL CTL-L LCN	YA YAZ YA-L YA-2L YA-2LN YA-L-NT YA-L-2NT YA-L-TC YA-L-2TC YA-2N YA-TC YA-2TC	CSW CRA CRB CLN CLW CRA-L CRB-L CRA-2L CRB-2L	LCAS LCA LCD LCB LCC	BLU BBLU	54104-54120-TB 54204-54220 54850BE-54878BE 54930BE-54920BE

Wire Size	Die Color	Cat. No.	Die Indentation Mark	Lugs: Total # of Crimps Splices: # of Crimps per Side							
				Anderson	Blackburn®	Burndy	ILSCO	Panduit	Penn-Union	T&B	
#8 AWG	RED	49-16-U008C	8								
#6 AWG	BLUE	49-16-U006C	6								
#4 AWG	GRAY	49-16-U004C	4								
#2 AWG	BROWN	49-16-U002C	2								
#1 AWG	GREEN	49-16-U001C	1	1	1	1	1	1	1	1	1
1/0 AWG	PINK	49-16-U01AC	1/0								
2/0 AWG	BLACK	49-16-U02AC	2/0								
3/0 AWG	ORANGE	49-16-U03AC	3/0								
4/0 AWG	PURPLE	49-16-U04AC	4/0	2							
250 MCM	YELLOW	49-16-U250C	250								
300 MCM	WHITE	49-16-U300C	300								
350 MCM	RED	49-16-U350C	350	Lugs: 2 Splices: N/A	2	2	2	2	2	2	2
400 MCM	BLUE	49-16-U400C	400								
500 MCM	BROWN	49-16-U500C	500								
600 MCM	GREEN	49-16-U600C	600								

Dual Rated Lugs & Splices

	Anderson	Blackburn®	Burndy	ILSCO	Panduit	Penn-Union	T&B
Splice Model #'s	VACS	ASP	YS-A	AS ASN	SA	BCUA	60501-60565
Lug Model #'s	VACL	ATL	YA-A YA-ATN	ACL ACN ALNS 2ACL 2ACN ALND	LAA LAB	BLUA	60101-60166 60230-60267

Wire Size	Die Color	Cat. No.	Die Indentation Mark	Lugs: Total # of Crimps Splices: # of Crimps per Side							
				Anderson	Blackburn®	Burndy	ILSCO	Panduit	Penn-Union	T&B	
#8 AWG	BLUE	49-16-U008	8								
#6 AWG	GRAY	49-16-U006	6								
#4 AWG	GREEN	49-16-U004	4	Lugs: N/A Splices: 2	Lugs: 2 Splices: N/A					Lugs: 2 Splices: N/A	2
#2 AWG	PINK	49-16-U002	2	2	2					2	
#1 AWG	GOLD	49-16-U001	1								
1/0 AWG	TAN	49-16-U01A	1/0								
2/0 AWG	OLIVE	49-16-U02A	2/0								
3/0 AWG	RUBY	49-16-U03A	3/0	3	3			3		3	3
4/0 AWG	WHITE	49-16-U04A	4/0								
250 MCM	RED	49-16-U250	250								
300 MCM	BLUE	49-16-U300	300	4	4			4		4	4
350 MCM	BROWN	49-16-U350	350								

For the latest listing of approvals, visit milwaukeetool.com. For technical or service assistance, contact Milwaukee Customer Service at 1-800-729-3878.

SYMBOLOLOGY



Volts



Direct Current



Underwriters Laboratories, Inc.
United States and Canada



WARNING To reduce the risk of explosion, electric shock and property damage, do not use on live electrical lines. Tool is NOT insulated. Contact with a live circuit could result in severe injury or death. Turn off power before making a crimp.



WARNING Keep hands away from crimping jaws while tool is in use. Fingers could be crushed.



To reduce the risk of injury, wear safety goggles or glasses with side shields when operating or servicing the tool.



Read operator's manual.

ASSEMBLY

WARNING Recharge only with the charger specified for the battery. For specific charging instructions, read the operator's manual supplied with your charger and battery.

Inserting/Removing the Battery

To remove the battery, push in the release buttons and pull the battery pack away from the tool. To insert the battery, slide the pack into the body of the tool. Make sure it latches securely into place.

WARNING Always remove battery pack before changing or removing accessories. Only use accessories specifically recommended for this tool. Others may be hazardous.

Inserting/Removing the Crimping Jaws

1. Remove the battery pack.
2. Remove the locking thumb screw (when used) from the back of the retaining pin.
3. Push in, then rotate the retaining pin counterclockwise 90°. The pin will pop out.
4. Insert the crimping jaws. Line up the center hole with the retaining pin.
5. Push in the retaining pin, then rotate clockwise 90°.
6. Insert and hand tighten the locking thumb screw. NOTE: Use the locking thumb screw to prevent the retaining pin from being unintentionally loosened. A loose retaining pin may damage the tool.
7. Rotate the jaws to the desired angle.

CAUTION To avoid damage to the tool, do not operate the tool without the retaining pin fully inserted and locked into position. Damage to the cylinder may occur.

WARNING An incomplete or faulty crimp could cause a fire. Use tool only with MILWAUKEE crimping jaw 49-16-U000, "U" dies, and connectors for which they are rated. Jaws, dies, and connectors must be used in an approved combination to achieve a successful operation. Improper combinations can result in a faulty crimp. Electric shock, fire, explosion, and property damage could occur.

Changing the Dies

Inspect dies and connectors before use. Only use properly matched dies and connectors for the crimping jaws. Refer to Specifications for die/connector compatibility.

1. Remove the battery pack.
2. Open jaws by squeezing back of crimping head together.
3. Snap the appropriate dies into each side of the crimping jaws. Release the jaws.
4. To remove, open jaws by squeezing back of crimping head together. Pull out the die release tabs. Pull dies out from crimping jaws.

ONE-KEY™

To learn more about the ONE-KEY functionality for this tool, please reference the Quick Start guide included with this product or go to milwaukeetool.com/One-Key. To download the ONE-KEY app, visit the App Store or Google Play from your smart device.

OPERATION

WARNING To reduce the risk of explosion, electric shock and property damage, do not use on live electrical lines. Tool is NOT insulated. Contact with a live circuit could result in severe injury or death. Turn off power before making a crimp.

Keep hands away from crimping jaws while tool is in use. Fingers could be crushed.

Always remove battery pack before changing or removing accessories. Only use accessories specifically recommended for this tool. Others may be hazardous.

To reduce the risk of injury, wear safety goggles or glasses with side shields.

Crimping

Before crimping:

- Inspect the jaws and dies for cracks or other damage. Do not use damaged jaws or dies. Contact a MILWAUKEE service facility.
 - Ensure retaining pin is properly seated and dies are properly installed.
 - Jaws, dies, connectors, and cables must be used in an APPROVED COMBINATION. Improper combinations can result in a faulty crimp.
 - Inspect and discard workpieces with cracks or wear before use. Materials may crack or shatter.
 - Follow connector manufacturers' installation instructions. Other uses may cause damage to the tool, accessories, and workpiece.
1. Insert battery pack.
 2. Place jaws with installed dies around the connector.
 3. Hold tool securely. Press and hold the trigger.

4. When the cycle is complete the tool will switch off and the indicator will light. Release the trigger.

LED Indicator	Definition
Solid Green	Tool completed the operation and reached full crimping pressure.
Solid Red	Tool completed the operation but did NOT reach full crimping pressure.
Flashing Red	Tool did NOT complete the operation.
Flashing Red/Green (after Solid Green or Solid Red)	Tool has reached its service interval (40,000 crimps). Red/Green flashing will begin after the solid Red or Green indicator for the operation is displayed. MILWAUKEE recommends that the tool be inspected and preventative maintenance completed. Return tool to a MILWAUKEE service facility.

5. Continue crimping according to the connector manufacturer's instructions. See the "Lug and Splices" charts for more information.
- For **splices**, begin crimping in the center, working outward.
 - For **lugs**, begin crimping near the pad, working outward.
6. Two LEDs will light the workpiece when the trigger is pulled.
7. The die identifier is pressed into the connector during the crimp.

Backup Release Valve

If the jaws need to be opened without completing the cycle, press and hold the backup release valve. Hold tool securely until the cylinder retracts fully.

MAINTENANCE

⚠WARNING To reduce the risk of injury, always unplug the charger and remove the battery pack from the charger or tool before performing any maintenance. Never disassemble the tool, battery pack or charger. Contact a MILWAUKEE service facility for ALL repairs.

Maintaining Tool

Keep your tool, battery pack and charger in good repair by adopting a regular maintenance program. After six months to one year, depending on use, return the tool, battery pack and charger to A MILWAUKEE service facility for:

- Lubrication
- Mechanical inspection and cleaning (gears, spindles, bearings, housing, etc.)
- Electrical inspection (battery pack, charger, motor)
- Testing to assure proper mechanical and electrical operation

If the tool does not start or operate at full power with a fully charged battery pack, clean the contacts on the battery pack. If the tool still does not work properly, return the tool, charger and battery pack, to a MILWAUKEE service facility for repairs.

⚠WARNING To reduce the risk of personal injury and damage, never immerse your tool, battery pack or charger in liquid or allow a liquid to flow inside them.

Cleaning

Clean dust and debris from vents. Keep handles clean, dry and free of oil or grease. Use only mild soap and a damp cloth to clean, since certain cleaning agents and solvents are harmful to plastics and other insulated parts. Some of these include gasoline, turpentine, lacquer thinner, paint thinner, chlorinated cleaning solvents, ammonia and household detergents containing ammonia. Never use flammable or combustible solvents around tools.

Repairs

For repairs, return the tool, battery pack and charger to the nearest service center.

ACCESSORIES

⚠WARNING Always remove battery pack before changing or removing accessories. Only use accessories specifically recommended for this tool. Others may be hazardous. For a complete listing of accessories, go online to www.milwaukeetool.com or contact a local distributor.

SERVICE - UNITED STATES

1-800-SAWDUST (1.800.729.3878)

Monday-Friday, 7:00 AM - 6:30 PM CST

or visit www.milwaukeetool.com

Contact Corporate After Sales Service Technical Support with technical, service/repair, or warranty questions.

Email: metproductsupport@milwaukeetool.com

Register your tool at www.milwaukeetool.com...

- to receive important notifications regarding your purchase
- to ensure that your tool is protected under the warranty
- to become a Heavy Duty club member

SERVICE - CANADA

Milwaukee Tool (Canada) Ltd
1.800.268.4015

Monday-Friday, 7:00 AM - 4:30 PM CST
or visit www.milwaukeetool.ca

LIMITED WARRANTY USA & CANADA

Every MILWAUKEE power tool* (see exceptions below) is warranted to the original purchaser only to be free from defects in material and workmanship. Subject to certain exceptions, MILWAUKEE will repair or replace any part on an electric power tool which, after examination, is determined by MILWAUKEE to be defective in material or workmanship for a period of five (5) years** after the date of purchase unless otherwise noted. Return of the power tool to a MILWAUKEE factory Service Center location or MILWAUKEE Authorized Service Station, freight prepaid and insured, is required. A copy of the proof of purchase should be included with the return product. This warranty does not apply to damage that MILWAUKEE determines to be from repairs made or attempted by anyone other than MILWAUKEE authorized personnel, misuse, alterations, abuse, normal wear and tear, lack of maintenance, or accidents.

Normal Wear: Many power tools need periodic parts replacement and service to achieve best performance. This warranty does not cover repair when normal use has exhausted the life of a part including, but not limited to, chucks, brushes, cords, saw shoes, blade clamps, o-rings, seals, bumpers, driver blades, pistons, strikers, lifters, and bumper cover washers.

*This warranty does not cover Air Nailers & Staplers; Airless Paint Sprayer; Cordless Battery Packs; Gasoline Driven Portable Power Generators; Hand Tools; Hoist - Electric, Lever & Hand Chain; M12™ Heated Gear; Reconditioned Product; and Test & Measurement Products. There are separate and distinct warranties available for these products.

**The warranty period for Job Site Radios, M12™ Power Port, M18™ Power Source, Jobsite Fan and Trade Titan™ Industrial Work Carts is one (1) year from the date of purchase. The warranty period for the Drain Cleaning Cables is two (2) years from the date of purchase. The warranty period for the LED in the LED Work Light and the LED Upgrade Bulb for the Work Light is the lifetime of the product subject to the limitations above. If during normal use the LED or LED Bulb fails, the part will be replaced free of charge.

Warranty Registration is not necessary to obtain the applicable warranty on a MILWAUKEE power tool product. The manufacturing date of the product will be used to determine the warranty period if no proof of purchase is provided at the time warranty service is requested.

ACCEPTANCE OF THE EXCLUSIVE REPAIR AND REPLACEMENT REMEDIES DESCRIBED HEREIN IS A CONDITION OF THE CONTRACT FOR THE PURCHASE OF EVERY MILWAUKEE PRODUCT. IF YOU DO NOT AGREE TO THIS CONDITION, YOU SHOULD NOT PURCHASE THE PRODUCT. IN NO EVENT SHALL MILWAUKEE BE LIABLE FOR ANY INCIDENTAL, SPECIAL, CONSEQUENTIAL OR PUNITIVE DAMAGES, OR FOR ANY COSTS, ATTORNEY FEES, EXPENSES, LOSSES OR DELAYS ALLEGED TO BE AS A CONSEQUENCE OF ANY DAMAGE TO, FAILURE OF, OR DEFECT IN ANY PRODUCT INCLUDING, BUT NOT LIMITED TO, ANY CLAIMS FOR LOSS OF PROFITS. SOME STATES DO NOT ALLOW THE EXCLUSION OR LIMITATION OF INCIDENTAL OR CONSEQUENTIAL DAMAGES, SO THE ABOVE LIMITATION OR EXCLUSION MAY NOT APPLY TO YOU. THIS WARRANTY IS EXCLUSIVE AND IN LIEU OF ALL OTHER EXPRESS WARRANTIES, WRITTEN OR ORAL. TO THE EXTENT PERMITTED BY LAW, MILWAUKEE DISCLAIMS ANY IMPLIED WARRANTIES, INCLUDING WITHOUT LIMITATION ANY IMPLIED WARRANTY OF MERCHANTABILITY OR FITNESS FOR A PARTICULAR USE OR PURPOSE; TO THE EXTENT SUCH DISCLAIMER IS NOT PERMITTED BY LAW, SUCH IMPLIED WARRANTIES ARE LIMITED TO THE DURATION OF THE APPLICABLE EXPRESS WARRANTY AS DESCRIBED ABOVE. SOME STATES DO NOT ALLOW LIMITATIONS ON HOW LONG AN IMPLIED WARRANTY LASTS, SO THE ABOVE LIMITATION MAY NOT APPLY TO YOU. THIS WARRANTY GIVES YOU SPECIFIC LEGAL RIGHTS, AND YOU MAY ALSO HAVE OTHER RIGHTS WHICH VARY FROM STATE TO STATE.

This warranty applies to product sold in the U.S.A. and Canada only. Please consult the "Service Center Search" in the Parts & Service section of MILWAUKEE's website www.milwaukeetool.com or call 1.800.SAWDUST (1.800.729.3878) to locate your nearest service facility for warranty and non-warranty service on a Milwaukee electric power tool.

LIMITED WARRANTY - MEXICO, CENTRAL AMERICA & CARIBBEAN

TECHTRONIC INDUSTRIES' warranty is for 5 years since the original purchase date.

This warranty card covers any defect in material and workmanship on this Product.

To make this warranty valid, present this warranty card, sealed/stamped by the distributor or store where you purchased the product, to the Authorized Service Center (ASC). Or, if this card has not been sealed/stamped, present the original proof of purchase to the ASC. Call toll-free 1 (800) 030-7777 to find the nearest ASC, for service, parts, accessories or components.

Procedure to make this warranty valid

Take the product to the ASC, along with the warranty card sealed/stamped by the distributor or store where you purchased the product, and any faulty piece or component will be replaced without cost for you. We will cover all freight costs relative with this warranty process.

Exceptions

This warranty is not valid in the following situations
a) When the product is used in a different manner from the end-user guide or instruction manual.

b) When the conditions of use are not normal.

c) When the product was modified or repaired by people not authorized by TECHTRONIC INDUSTRIES.

Note: If cord set is damaged, it should be replaced by an Authorized Service Center to avoid electric risks.

SERVICE AND ATTENTION CENTER

Call to 01 (800) 030-7777

IMPORTED AND COMMERCIALIZED BY
TECHTRONIC INDUSTRIES MEXICO, SA DE CV
Av President Masarik #29 piso 7, Col. Polanco V Sección
CP 11560, Deleg. Miguel Hidalgo, CDMX

Model: _____

Date of Purchase: _____

Distributor or Store Stamp: _____

RÈGLES DE SÉCURITÉ GÉNÉRALES RELATIVES AUX OUTILS ÉLECTRIQUES

AVERTISSEMENT Lire toutes les consignes de sécurité, consignes, illustrations et spécifications fournies avec cet outil électrique. Ne pas suivre l'ensemble des règles et instructions peut entraîner une électrocution, un incendie ou des blessures graves. Conserver les règles et les instructions à des fins de référence ultérieure. Le terme «outil électrique» figurant dans les avertissements ci-dessous renvoie à l'outil électrique à alimentation par le réseau (à cordon) ou par batterie (sans fil).

SÉCURITÉ DU LIEU DE TRAVAIL

- Veillez à ce que l'aire de travail soit propre et bien éclairée. Le désordre et le manque de lumière favorisent les accidents.
- Ne pas utiliser d'outils électriques dans des atmosphères explosives, par exemple en présence de liquides, gaz ou poussières inflammables. Les outils électriques produisent des étincelles risquant d'enflammer les poussières ou vapeurs.
- S'assurer que les enfants et les curieux se trouvent à une bonne distance au moment d'utiliser un outil électrique. Les distractions peuvent causer une perte de contrôle.

SÉCURITÉ ÉLECTRIQUE

- Les fiches des outils électriques doivent correspondre à la prise secteur utilisée. Ne jamais modifier la fiche, de quelque façon que ce soit. Ne jamais utiliser d'adaptateurs de fiche avec des outils mis à la terre. Les fiches et prises non modifiées réduisent le risque de choc électrique.
- Éviter tout contact avec des surfaces mises à la terre comme des tuyaux, des radiateurs, des cuisinières et des réfrigérateurs. Le risque de choc électrique est accru lorsque le corps est mis à la terre.
- Ne pas exposer les outils électriques à l'eau ou l'humidité. La pénétration d'eau dans ces outils accroît le risque de choc électrique.
- Ne pas maltraiter le cordon d'alimentation. Ne jamais utiliser le cordon d'alimentation pour transporter l'outil électrique et ne jamais débrancher ce dernier en tirant sur le cordon. Garder le cordon à l'écart de la chaleur, de l'huile, des objets tranchants et des pièces en mouvement. Un cordon endommagé ou emmêlé accroît le risque de choc électrique.
- Pour les travaux à l'extérieur, utiliser un cordon spécialement conçu à cet effet. Utiliser un cordon conçu pour l'usage extérieur réduit les risques de choc électrique.
- Si l'utilisation d'un outil électrique est inévitable dans un endroit humide, utiliser une source d'alimentation munie d'un disjoncteur de fuite de terre. L'utilisation d'un disjoncteur de fuite de terre réduit le risque de choc électrique. sécurité individuelle

SÉCURITÉ INDIVIDUELLE

- Rester attentif, prêter attention au travail et faire preuve de bon sens lors de l'utilisation de tout outil électrique. Ne pas utiliser cet appareil en cas de fatigue ou sous l'influence de l'alcool, de drogues ou de médicaments. Un moment d'inattention pendant l'utilisation d'un outil électrique peut entraîner des blessures graves.

- Porter l'équipement de protection individuel requis. Toujours porter une protection oculaire. Selon les conditions, porter aussi un masque antipoussières, des bottes de sécurité antidérapantes, un casque protecteur ou une protection auditive afin de réduire les blessures.
- Empêcher les démarrages accidentels. S'assurer que la gâchette est en position d'arrêt avant de brancher l'outil à une source de courant, d'insérer la batterie, de le ramasser ou de le transporter. Le fait de transporter un outil électrique en gardant le doigt sur la gâchette ou de mettre sous tension un outil électrique lorsque la gâchette est en position de marche favorise les accidents.

- Retirer les clés de réglage avant de mettre l'outil en marche. Une clé laissée sur une pièce rotative de l'outil peut causer des blessures.
- Ne pas travailler hors de portée. Toujours se tenir bien campé et en équilibre. Une bonne stabilité procure un meilleur contrôle de l'outil électrique en cas d'imprévus.
- Porter une tenue appropriée. Ne porter ni vêtements amples, ni bijoux. Garder les cheveux et les vêtements à l'écart des pièces en mouvement. Les vêtements flottants, les bijoux ou les cheveux longs risquent d'être happés par les pièces en mouvement.
- Si les outils sont équipés de dispositifs de dé poussiérage, s'assurer qu'ils sont connectés et correctement utilisés. L'utilisation d'un collecteur de poussière permet de réduire les dangers liés à la poussière.
- Ne pas laisser la familiarité avec l'outil acquise par une utilisation fréquente vous rendre suffisant et vous amener à ignorer les règles de sécurité. Une utilisation négligée peut causer une blessure grave en une fraction de seconde.

UTILISATION ET ENTRETIEN DE L'OUTIL ÉLECTRIQUE

- Ne pas forcer l'outil électrique. Utiliser l'outil électrique approprié pour l'application. Un outil électrique approprié exécutera le travail mieux et de façon moins dangereuse s'il est utilisé dans les limites prévues.
- Ne pas utiliser l'outil électrique si le commutateur ne permet pas de le mettre en marche ou de l'arrêter. Tout outil électrique qui ne peut pas être contrôlé par son commutateur est dangereux et doit être réparé.
- Débrancher l'outil et/ou retirer le bloc-piles, si possible, avant d'effectuer des réglages, de changer d'accessoire ou de remettre l'outil. Ces mesures de sécurité préventives réduisent les risques de démarrage accidentel de l'outil.
- Entreposer l'outil électrique hors de la portée des enfants et interdire à quiconque de l'utiliser si la personne ne connaît pas bien le produit ou les instructions. Les outils électriques sont dangereux dans les mains d'utilisateurs novices.
- Entretenir les outils électriques et les accessoires. Vérifier qu'aucune pièce mobile n'est mal alignée ou bloquée, qu'aucune pièce n'est brisée et s'assurer qu'aucun autre problème risque d'affecter le bon fonctionnement de l'outil. En cas de dommages, faire réparer l'outil avant de l'utiliser. Plusieurs accidents sont causés par des produits mal entretenus.

- Garder les outils bien affûtés et propres. Des outils correctement entretenus et dont les tranchants sont bien affûtés risquent moins de se bloquer et sont plus faciles à contrôler.
- Utiliser l'outil électrique, les accessoires, les embouts etc. conformément à ces instructions en tenant compte des conditions de travail et de la tâche à effectuer. L'usage d'un outil électrique pour des applications pour lesquelles il n'est pas conçu peut être dangereux.
- Garder les poignées et les surfaces de préhension sèches, propres et exemptes d'huile ou de graisse. Des poignées et des surfaces de préhension glissantes ne permettent pas de manipuler et de contrôler l'outil en toute sécurité en cas de situation imprévue.

UTILISATION ET ENTRETIEN DE LA BATTERIE

- Pour recharger le bloc-piles, utiliser seulement le chargeur spécifié par le fabricant. Un chargeur pouvant convenir à un type de bloc-piles peut entraîner un risque d'incendie lorsqu'il est utilisé avec un autre type de bloc-piles.
- N'utiliser l'outil électrique qu'avec une batterie recommandée. L'utilisation de tout autre bloc-piles peut créer un risque de blessures et d'incendie.
- Lorsque le bloc-piles n'est pas utilisé, le tenir éloigné des objets en métal tels que les trombones, les pièces de monnaie, les clés, les clous, les vis ou d'autres petits objets métalliques qui pourraient connecter les bornes. Le court-circuitage des bornes d'une pile peut entraîner des brûlures ou un incendie.
- Éviter tout contact avec le liquide pouvant être éjecté de la pile en cas de manutention abusive. En cas de contact accidentel, rincer immédiatement les parties atteintes avec de l'eau. Si le liquide entre en contact avec les yeux, consulter un médecin. Le liquide éjecté des piles peut causer des irritations ou des brûlures.
- N'utiliser aucun bloc-piles ni aucun outil ayant été endommagé ou modifié. Des piles endommagées ou modifiées peuvent adopter un comportement imprévisible pouvant causer un incendie, une explosion ou le risque de blessures.
- Ne pas exposer le bloc-piles ou l'outil aux flammes ou à une température excessive. Une exposition aux flammes ou à une température supérieure à 130°C (265°F) peut causer une explosion.
- Suivre toutes les instructions de charge et ne pas charger le bloc-piles ou l'outil en dehors de la plage de température spécifiée. Une charge incorrecte ou à des températures en dehors de la plage spécifiée peut endommager la pile et augmenter le risque d'incendie.

ENTRETIEN

- Les réparations de l'outil électrique doivent être confiées à un technicien qualifié, utilisant exclusivement des pièces identiques à celles d'origine. Le maintien de la sûreté de l'outil électrique sera ainsi assuré.
- Ne jamais effectuer la réparation d'un bloc-piles endommagé. La réparation du bloc-piles doit être réalisée par le fabricant ou les fournisseurs de service agréés uniquement.

RÈGLES DE SÉCURITÉ SPÉCIFIQUES SERTISSEUR UTILITAIRE

- Utiliser l'outil seulement comme indiqué. Seul le personnel qualifié devrait utiliser l'outil.

AVERTISSEMENT Pour réduire les risques d'explosion, de décharge électrique ou de dommages matériels, ne pas utiliser sur des lignes électriques sous tension. L'outil N'est PAS isolé. Le contact avec un circuit sous tension peut entraîner des blessures graves ou même la mort. Couper l'alimentation avant de procéder à un sertissage.

- Utiliser l'outil uniquement avec les mâchoires de sertissage MILWAUKEE 49-16-U000, les matrices en « U » et les connecteurs pour lesquels ils sont homologués. Les mâchoires, les matrices et les connecteurs doivent être CORRECTEMENT AP- PARIÉS pour réaliser une opération réussie. Des combinaisons incorrectes peuvent entraîner un sertissage défectueux. Une décharge électrique, un incendie, une explosion et des dommages matériels pourraient se produire.
- N'utilisez pas l'outil sans les mâchoires de sertissage installées. Vos doigts risquent d'être écrasés.
- Gardez vos mains loin des mâchoires de sertissage lorsque vous utilisez l'outil. Vos doigts risquent d'être écrasés.
- Pour réduire le risque de blessure, porter des lunettes de sécurité ou des lunettes avec écrans latéraux pendant l'utilisation ou l'entretien de l'outil.
- Inspectez et jetez les pièces présentant des fissures ou usées avant l'utilisation. Les matériaux peuvent se fissurer ou se briser.
- Suivez les instructions d'installation du fabricant des connecteurs. D'autres utilisations peuvent endommager l'outil, les accessoires et les pièces.
- Maintenir en l'état les étiquettes et les plaques d'identification. Des informations importantes y figurent. Si elles sont illisibles ou manquantes, contacter un centre de services et d'entretien MILWAUKEE pour un remplacement gratuit.

AVERTISSEMENT Certaines poussières générées par les activités de ponçage, de coupe, de rectification, de perçage et d'autres activités de construction contiennent des substances considérées être la cause de malformations congénitales et de troubles de l'appareil reproducteur. Parmi ces substances figurent :

- le plomb contenu dans les peintures à base de plomb;
- la silice cristalline des briques, du ciment et d'autres matériaux de maçonnerie, ainsi que
- l'arsenic et le chrome des sciages traités chimiquement. Les risques encourus par l'opérateur envers ces expositions varient en fonction de la fréquence de ce type de travail. Pour réduire l'exposition à ces substances chimiques, l'opérateur doit travailler dans une zone bien ventilée et porter l'équipement de sécurité approprié, tel qu'un masque anti-poussière spécialement conçu pour filtrer les particules microscopiques.

Cosses et épissures courtes et longues en cuivre

	Anderson	Blackburn®	Burndy	ILSCO	Panduit	Penn-Union	T&B
Modèles d'épaisseurs numéros	VHSS VHS	CSP CU	YS YS-L YS-T	CT CTL	SCSS SCS SCL SCH	BCU BBCU	54504-54520-TB 54804-54820
Modèles de cosses numéros	VHCS VHCL	CTL-2 CTL CTL-L LCN	YA YAZ YA-L YA-2L YA-2LN YA-L-NT YA-L-2NT YA-L-TC YA-L-2TC YA-2N YA-TC YA-2TC	CSW CRA CRB CLN CLW CRA-L CRB-L CRA-2L CRB-2L	LCAS LCA LCD LCB LCC	BLU BBLU	54104-54120-TB 54204-54220 54850BE-54878BE 54930BE-54920BE

Taille de câble	Couleur de matrice	No de cat.	Empreinte de matrice	Cosses : Nombre total de sertissages						
				Épissures : Nombre de sertissages par côté						
				Anderson	Blackburn®	Burndy	ILSCO	Panduit	Penn-Union	T&B
#8 AWG	ROUGE	49-16-U008C	8							
#6 AWG	BLEU	49-16-U006C	6							
#4 AWG	GRIS	49-16-U004C	4							
#2 AWG	MARRON	49-16-U002C	2							
#1 AWG	VERT	49-16-U001C	1	1	1	1	1	1	1	1
1/0 AWG	ROSE	49-16-U01AC	1/0							
2/0 AWG	NOIR	49-16-U02AC	2/0							
3/0 AWG	ORANGE	49-16-U03AC	3/0							
4/0 AWG	VIOLET	49-16-U04AC	4/0	2						
250 MCM	JAUNE	49-16-U250C	250							
300 MCM	BLANC	49-16-U300C	300							
350 MCM	ROUGE	49-16-U350C	350		2	2	2	2	2	2
400 MCM	BLEU	49-16-U400C	400							
500 MCM	MARRON	49-16-U500C	500							
600 MCM	VERT	49-16-U600C	600							

Cosses et épissures à double homologation

	Anderson	Blackburn®	Burndy	ILSCO	Panduit	Penn-Union	T&B
Modèles d'épaisseurs numéros	VACS	ASP	YS-A	AS ASN	SA	BCUA	60501-60565
Modèles de cosses numéros	VACL	ATL	YA-A YA-ATN	ACL ACN ALNS 2ACL 2ACN ALND	LAA LAB	BLUA	60101-60166 60230-60267

Taille de câble	Couleur de matrice	No de cat.	Empreinte de matrice	Cosses : Nombre total de sertissages						
				Épissures : Nombre de sertissages par côté						
				Anderson	Blackburn®	Burndy	ILSCO	Panduit	Penn-Union	T&B
#8 AWG	BLEU	49-16-U008	8							
#6 AWG	GRIS	49-16-U006	6							
#4 AWG	VERT	49-16-U004	4							
#2 AWG	ROSE	49-16-U002	2	2	2				2	
#1 AWG	DORÉ	49-16-U001	1							
1/0 AWG	BRUN CLAIR	49-16-U01A	1/0							
2/0 AWG	OLIVE	49-16-U02A	2/0							
3/0 AWG	RUBIS	49-16-U03A	3/0							
4/0 AWG	BLANC	49-16-U04A	4/0							
250 MCM	ROUGE	49-16-U250	250							
300 MCM	BLEU	49-16-U300	300							
350 MCM	MARRON	49-16-U350	350							

Pour la liste d'approbation la plus récente, veuillez visiter milwaukeetool.com. Pour une assistance technique, veuillez contacter le service à la clientèle de Milwaukee en composant le 1-800-729-3878.

PICTOGRAPHIE



Volts
Courant direct
Underwriters Laboratories, Inc.
États-Unis et Canada

⚠ AVERTISSEMENT Pour réduire les risques d'explosion, de décharge électrique ou de dommages matériels, ne pas utiliser sur des lignes électriques sous tension. L'outil N'est PAS isolé. Le contact avec un circuit sous tension peut entraîner des blessures graves ou même la mort. Couper l'alimentation avant de procéder à un sertissage.



⚠ AVERTISSEMENT Gardez vos mains loin des mâchoires de sertissage lorsque vous utilisez l'outil. Vos doigts risquent d'être écrasés.

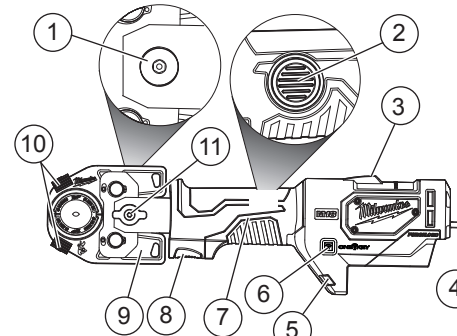


Pour réduire le risque de blessure, porter des lunettes de sécurité ou des lunettes avec écrans latéraux pendant l'utilisation ou l'entretien de l'outil.



Lire le manuel d'utilisation.

DESCRIPTION FONCTIONNELLE



1. Vis de verrouillage à oreilles
2. Soupape de vidange de secours
3. Indicateur de sertissage
4. Support
5. DEL
6. Indicateur ONE-KEY
7. Poignée
8. Gâchette
9. Mâchoires de sertissage
10. Languettes de dégagement de matrice
11. Clavette d'arrêt

SPECIFICATIONS

No de Cat. 2679-20
Volts 18 DC
Type de batterie M18™
Type de chargeur M18™
Température de fonctionnement -18 - 50° C
(0° - 122° F)
Force 53,4 kN (6T)

MONTAGE DE L'OUTIL

⚠ AVERTISSEMENT Ne recharger la batterie qu'avec le chargeur spécifié. Pour les instructions de charge spécifiques, lire le manuel d'utilisation fourni avec le chargeur et les batteries.

Insertion/Retrait de la batterie

Pour retirer la batterie, enfoncer les boutons de déverrouillage et la tirer hors de l'outil. Pour insérer la batterie, la glisser dans le corps de l'outil. S'assurer qu'elle est fixée solidement.

⚠ AVERTISSEMENT Il faut toujours retirer la batterie et verrouiller la détente de l'outil avant de changer ou d'enlever les accessoires. L'emploi d'accessoires autres que ceux qui sont expressément recommandés pour cet outil peut comporter des risques.

Insertion/retrait des mâchoires de sertissage

1. Retirez le bloc-piles.
2. Retirer la vis de verrouillage (lorsqu'il est utilisé) à oreilles de l'arrière de la goupille de retenue.
3. Appuyez, puis tournez la clavette d'arrêt dans le sens contraire des aiguilles d'une montre sur 90°. La clavette se dégagera.
4. Insérez les mâchoires de sertissage. Alignez le trou central sur la clavette d'arrêt.
5. Appuyez sur la clavette d'arrêt, puis tournez dans le sens des aiguilles d'une montre 90°.
6. Insérer et serrer manuellement la vis de verrouillage à oreilles. Remarque : Utilisez la vis de verrouillage à oreilles pour empêcher la clavette d'arrêt de se détacher involontairement. Une clavette lâche d'arrêt peut être endommager l'outil.
7. Faites tourner les mâchoires à l'angle désiré.

⚠ ATTENTION Pour éviter d'endommager l'outil, n'utilisez pas l'outil sans la clavette d'arrêt complètement insérée et verrouillée en place. Cela pourrait endommager le cylindre.

⚠ AVERTISSEMENT Un sertissage incomplet ou défectueux peut entraîner un incendie. Utiliser l'outil uniquement avec les mâchoires de sertissage MILWAUKEE 49-16-U000, les matrices en « U » et les connecteurs pour lesquels ils sont homologués. Les mâchoires, les matrices et les connecteurs doivent être CORRECTEMENT APPARIÉS pour réaliser une opération réussie. Des combinaisons incorrectes peuvent entraîner un sertissage défectueux. Une décharge électrique, un incendie, une explosion et des dommages matériels pourraient se produire.

Remplacement des matrices

Inspectez les matrices et les connecteurs avant utilisation. N'utilisez que des matrices et des connecteurs correctement appariés pour les mâchoires de sertissage. Consultez les spécifications de compatibilité matrice/connecteur.

1. Retirez le bloc-piles.
2. Ouvrez les mâchoires en serrant le dos des têtes de sertissage ensemble.
3. Alignez les matrices appropriées sur chaque côté des mâchoires de sertissage. Relâchez les mâchoires.
4. Pour retirer, ouvrez les mâchoires en serrant le dos des têtes de sertissage ensemble. Tirez sur les languettes de dégagement de matrice. Sortez les filières des mâchoires de sertissage.

ONE-KEY™

Pour en apprendre plus long sur la fonctionnalité ONE-KEY de cet outil, veuillez consulter le Guide de démarrage rapide fourni avec ce produit ou visitez le milwaukee.com/One-Key. Pour télécharger l'application ONE-KEY, visitez l'App Store d'Apple ou Google Play à l'aide de votre appareil intelligent.

MANIEMENT

⚠ AVERTISSEMENT Pour réduire les risques d'explosion, de décharge électrique ou de dommages matériels, ne pas utiliser sur des lignes électriques sous tension. L'outil N'est PAS isolé. Le contact avec un circuit sous tension peut entraîner des blessures graves ou même la mort. Couper l'alimentation avant de procéder à un sertissage. Gardez vos mains loin des mâchoires de sertissage lorsque vous utilisez l'outil. Vos doigts risquent d'être écrasés.

Il faut toujours retirer la batterie et verrouiller la détente de l'outil avant de changer ou d'enlever les accessoires. L'emploi d'accessoires autres que ceux qui sont expressément recommandés pour cet outil peut comporter des risques.

Pour minimiser les risques de blessures, portez des lunettes à coques latérales.

Sertissage

- Avant de procéder au sertissage, assurez-vous que la gouille de retenue est bien calée et que les matrices sont correctement installées.
 - Avant de commencer, inspectez les mâchoires et les matrices pour fissures ou tout signe de dommage. N'utilisez pas de mâchoires ou de matrices endommagées. Communiquez avec un centre de réparations MILWAUKEE.
 - Utilisez seulement des mâchoires, des matrices, des connecteurs et des câbles CORRECTEMENT APPARIÉS. Des combinaisons incorrectes peuvent entraîner un sertissage défectueux.
 - Inspectez et jetez les pièces présentant des fissures ou usées avant l'utilisation. Les matériaux peuvent se fissurer ou se briser.
 - Suivez les instructions d'installation du fabricant des connecteurs. D'autres utilisations peuvent endommager l'outil, les accessoires et les pièces.
1. Insérez le bloc-piles.
 2. Placez les mâchoires avec les matrices installées autour du connecteur.

3. Tenez l'outil fermement. Appuyez et maintenez la gâchette.
4. Une fois le cycle terminé, l'outil s'arrête et le voyant vert s'allume. Relâcher la gâchette.

Voyant Indicateur	Définition
Vert fixe	L'outil a terminé l'opération et a atteint la pression de sertissage complet.
Rouge fixe	L'outil a terminé l'opération, mais N'A PAS atteint la pression de sertissage complet.
Rouge clignotant	L'outil N'A PAS terminé l'opération.
Clignotant Rouge/vert (après Vert et Rouge fixe)	L'outil a atteint son intervalle de service (40.000 sertissages). Le clignotement en rouge/vert commencera après que l'indicateur de fonctionnement s'affiche. Renvoyez l'outil à un centre de réparations MILWAUKEE.

5. Continuez le sertissage selon les instructions du fabricant du connecteur. Pour plus d'information voir les graphiques « Cosse et épissures ».
 - Pour les épissures, commencez le sertissage dans le centre et procédez vers l'extérieur en alternant d'un côté à l'autre.
 - Pour les cosses, commencez le sertissage près du pavé et procédez vers l'extérieur.
6. Deux voyants éclaireront la pièce lorsque la gâchette est appuyée.
7. L'identificateur de matrice est imprimé dans le connecteur pendant le sertissage.

Souape de vidange de secours

Si l faut ouvrir les mâchoires doivent sans ouvrir terminé le cycle, appuyer et maintenir la valve de vidange de secours. Tenir fermement l'outil jusqu'à ce que le cylindre se rétracte complètement.

ENTRETIEN

⚠ AVERTISSEMENT Pour minimiser les risques de blessures corporelles, débranchez le chargeur et retirez la batterie du chargeur ou de l'outil avant d'y effectuer des travaux d'entretien. Ne démontez jamais l'outil, la batterie ou le chargeur. Pour toute réparation, consultez un centre de service MILWAUKEE accrédité.

Entretien de l'outil

Gardez l'outil, la batterie et le chargeur en bon état en adoptant un programme d'entretien ponctuel. Après une période de six mois à un an, selon l'utilisation, renvoyez l'outil, la batterie et le chargeur à un centre de service MILWAUKEE accrédité pour les services suivants:

- Lubrification
 - Inspection et nettoyage de la mécanique (engrenages, pivots, coussinets, boîtier etc.)
 - Inspection électrique (batterie, chargeur, moteur)
 - Vérification du fonctionnement électromécanique
- Si l'outil ne démarre pas ou ne fonctionne pas à pleine puissance alors qu'il est branché sur une batterie complètement chargée, nettoyez les points de contact entre la batterie et l'outil. Si l'outil ne fonctionne toujours pas correctement, renvoyez l'outil, le chargeur et la batterie à un centre de service MILWAUKEE accrédité, afin qu'on en effectue la réparation (voir "Réparations").

⚠ AVERTISSEMENT Pour minimiser les risques de blessures ou de dommages à l'outil, n'immergez jamais l'outil, la batterie ou le chargeur et ne laissez pas de liquide s'y infiltrer.

Nettoyage

Débarrassez les événements des débris et de la poussière. Gardez les poignées propres, à sec et exemptes d'huile ou de graisse. Le nettoyage doit se faire avec un linge humide et un savon doux. Certains nettoyants tels l'essence, la térébenthine, les diluants à laque ou à peinture, les solvants chlorés, l'ammoniaque et les détergents d'usage domestique qui en contiennent pourraient détériorer le plastique et l'isolation des pièces. Ne laissez jamais de solvants inflammables ou combustibles auprès des outils.

Réparations

Pour les réparations, retournez outil, batterie et chargeur en entier au centre-service le plus près.

ACCESOIRES

⚠ AVERTISSEMENT Retirez toujours la batterie avant de changer ou d'enlever les accessoires. L'utilisation d'autres accessoires que ceux qui sont spécifiquement recommandés pour cet outil peut comporter des risques.

Pour une liste complète des accessoires, visiter le site internet www.milwaukee.com ou contactez un distributeur local.

SERVICE - CANADA

Milwaukee Tool (Canada) Ltd
1.800.268.4015

Monday-Friday, 7:00 AM - 4:30 PM CST
www.milwaukee.com

GARANTIE LIMITÉE - AUX ÉTATS-UNIS ET AU CANADA

Chaque outil électrique* MILWAUKEE (voir exceptions ci-dessous) est garanti à l'acheteur d'origine uniquement pour être exempt de vices de matériaux et de fabrication. Sous réserve de certaines exceptions, MILWAUKEE réparera ou remplacera toute pièce d'un outil électrique qui, après examen par MILWAUKEE, s'est avéré être affectée d'un vice de matériau ou de fabrication et ce pendant une période de cinq (5) ans** à compter de la date d'achat, sauf indication contraire. Le retour de l'outil électrique, à un centre de réparations en usine MILWAUKEE ou à un centre d'entretien agréé MILWAUKEE, est requis en port prépayé et assuré. Une copie de la preuve d'achat doit être présentée avec le produit retourné. Cette garantie ne couvre pas les dommages que MILWAUKEE détermine être causés par des réparations ou des tentatives de réparation par quiconque autre que le personnel agréé par MILWAUKEE, ou par des utilisations incorrectes, des altérations, des utilisations abusives, une usure normale, une carence d'entretien ou des accidents

Usure normale : Plusieurs outils électriques requièrent un remplacement et un entretien périodique de leurs pièces pour un meilleur rendement. Cette garantie ne couvre pas la réparation des pièces due à l'utilisation normale de l'outil, y compris, mais sans s'y limiter, les mandrins, les broches, les cordes, les sabots de scie, les portes-lames, les joints toriques, les joints, les amortisseurs, les lames d'entraînement, les pistons, les perceurs, les crochets et les rondelles à couvercle amortisseur. * Cette garantie ne s'applique pas aux clouuses-grafeuses pneumatiques, aux pulvérisateurs à peinture sans air, aux blocs-piles pour outils sans fil, aux génératrices d'alimentation portatives à essence, aux outils à main, aux monte-charges - électriques, à levier et à chaîne (manuels), aux vestes chauffantes M12™, aux produits résinés, ni aux produits d'essai et de mesure. Il existe des garanties séparées distinctes pour ces produits. ** La période de garantie applicable pour les radios de chantier, le port d'alimentation M12™, la source électrique M18™, le ventilateur de chantier et les chariots de travail industriels Trade Titan™ est d'une durée d'un (1) an à compter de la date d'achat. La période de garantie des câbles de nettoyage des canalisations est de deux (2) ans à compter de la date d'achat. La période de garantie couvrant la DEL de la lampe

de travail à DEL et l'ampoule améliorée à DEL de la lampe de travail est une garantie à vie du produit soumise aux limitations ci-dessus. En cas de défaillance de la DEL ou de l'ampoule à DEL pendant son utilisation normale, la pièce défaillante sera remplacée gratuitement. L'enregistrement de la garantie n'est pas nécessaire pour bénéficier de la garantie en vigueur sur un outil électrique MILWAUKEE. La date de fabrication du produit servira à établir la période de garantie si aucune preuve d'achat n'est fournie lorsqu'une demande de service sous garantie est déposée.

L'ACCEPTATION DES RECOURS EXCLUSIFS DE RÉPARATION ET DE REMPLACEMENT DÉCRITS DANS LES PRÉSENTES EST UNE CONDITION DU CONTRAT D'ACHAT DE TOUT PRODUIT MILWAUKEE. SI VOUS N'ACCEPTÉZ PAS CETTE CONDITION, VOUS NE DEVEZ PAS ACHETER LE PRODUIT. EN AUCUN CAS, MILWAUKEE NE SAURAIT ÊTRE RESPONSABLE DE TOUT DOMMAGE ACCESSOIRE, SPECIAL OU INDIRECT, DE DOMMAGES-INTÉRÊTS PUNITIFS OU DE TOUTE DÉPENSE, D'HONORAIRES D'AVOCATS, DE FRAIS, DE PERTE OU DE DÉLAIS ACCESSOIRES À TOUT DOMMAGE, DÉFAILLANCE OU DÉFAUT DE TOUT PRODUIT, Y COMPRIS NOTAMMENT LES PERTES DE PROFIT. CERTAINS ÉTATS ET PROVINCES NE PERMETTANT PAS L'EXCLUSION OU LA LIMITATION DES DOMMAGES DIRECTS OU INDIRECTS, LES RESTRICTIONS CI-DESSUS PEUVENT DONC NE PAS VOUS ÊTRE APPLICABLES. CETTE GARANTIE EST EXCLUSIVE ET REMPLACE TOUTE AUTRE GARANTIE EXPRESSE, QU'ELLE SOIT VERBALE OU ÉCRITE. DANS LA MESURE PERMISE PAR LA LOI, MILWAUKEE RENONCE À TOUTE GARANTIE IMPLICITE, Y COMPRIS, MAIS SANS S'Y LIMITER, TOUTE GARANTIE IMPLICITE DE QUALITÉ MARCHANDE OU D'ADAPTATION À UNE UTILISATION OU À UNE FIN PARTICULIÈRE. DANS LA MESURE OU UNE TELLE STIPULATION D'EXONÉRATION N'EST PAS PERMISE PAR LA LOI, LA DURÉE DE CES GARANTIES IMPLICITES EST LIMITÉE À LA PÉRIODE APPLICABLE DE LA GARANTIE EXPRESSE, TEL QUE CELA EST DÉCRIT PRÉCÉDEMMENT. CERTAINS ÉTATS ET PROVINCES NE PERMETTANT PAS DE LIMITATION DE DURÉE DES GARANTIES IMPLICITES, LES RESTRICTIONS CI-DESSUS PEUVENT DONC NE PAS VOUS ÊTRE APPLICABLES. LA PRÉSENTE VOUS CONFÈRE DES DROITS LÉGAUX PARTICULIERS; VOUS BÉNÉFICIEZ ÉGALEMENT D'AUTRES DROITS QUI VARIENT D'UN ÉTAT À UN AUTRE.

Cette garantie s'applique aux produits vendus aux États-Unis et au Canada uniquement.

Veuillez consulter la rubrique Centre SAV Milwaukee, dans la section Pièces et Services du site Web de MILWAUKEE, à l'adresse www.milwaukee.com, ou composer le 1-800-SAWDUST (1-800-729-3878) afin de trouver le centre de service de votre région le plus proche pour l'entretien, sous garantie ou non, de votre outil électrique Milwaukee.

GARANTIE LIMITÉE - MEXIQUE, AMÉRIQUE CENTRALE ET CARAÏBES

TECHTRONIC INDUSTRIES* garantit le produit pendant 5 ans à partir de la date d'achat d'origine.

Le présent bon de garantie couvre tous les vices de matériau et de fabrication que peut afficher ce produit.

Pour assurer la validité de la présente garantie, veuillez présenter ce bon de garantie, estampillé du sceau du distributeur ou du magasin où le produit a été acheté, au centre de réparations agréé. Si le bon de garantie n'a pas été estampillé, veuillez fournir la preuve d'achat d'origine au centre de réparations agréé.

Pour un entretien des pièces, des accessoires ou des composants, composer sans frais le 1-800-030-7777 afin d'obtenir les coordonnées du centre de réparations agréé le plus près

Procédure pour assurer la validité de la garantie

Présenter le produit au centre de réparations agréé, accompagné du bon de garantie estampillé du sceau du distributeur ou du magasin où le produit a été acheté. Toute pièce défectueuse ou tout composant défectueux sera remplacé(e) sans frais. Milwaukee assume tous les frais de transport liés à ce processus de garantie.

Exceptions

- Cette garantie ne s'applique pas dans les situations suivantes :
- a) Si le produit a été utilisé pour une fin autre que celle indiquée dans le guide de l'utilisateur final ou le manuel d'instructions.
 - b) Si les conditions d'utilisations ne sont pas habituelles.
 - c) Si le produit a été modifié ou réparé par une personne non autorisée par TECHTRONIC INDUSTRIES.

Remarque : Si le cordon électrique est endommagé, il doit être remplacé par un centre de réparations agréé pour éviter les risques d'électrocution.

Modèle : _____
Date d'achat : _____
Sceau du distributeur ou du magasin : _____

ADVERTENCIAS DE SEGURIDAD GENERALES PARA LA HERRAMIENTA ELÉCTRICA

▲ADVERTENCIA Lea todas las advertencias de seguridad, instrucciones, ilustraciones y especificaciones con esta herramienta eléctrica. Si no sigue todas las advertencias e instrucciones, se pueden provocar una descarga eléctrica, un incendio o lesiones graves. **Guarde todas las advertencias e instrucciones para consultarlas en el futuro.** El término "herramienta eléctrica" en todas las advertencias incluidas más abajo se refiere a su herramienta operada por conexión (cable) a la red eléctrica o por medio de una batería (inalámbrica).

SEGURIDAD EN EL ÁREA DE TRABAJO

- Mantenga el área de trabajo limpia y bien iluminada. Las áreas desordenadas u oscuras son propicias para los accidentes.
- No utilice herramientas eléctricas en atmósferas explosivas, tales como en presencia de líquidos, gases o polvos inflamables. Las herramientas eléctricas generan chispas que pueden encender el polvo o los vapores.
- Mantenga a los niños y a los espectadores alejados mientras utiliza una herramienta eléctrica. Las distracciones pueden ocasionar la pérdida de control.

SEGURIDAD ELÉCTRICA

- Los enchufes de la herramienta eléctrica deben coincidir con el tomacorriente. Nunca modifique el enchufe de ninguna manera. No utilice adaptadores de enchufe con herramientas eléctricas aterrizadas. Los enchufes y tomacorrientes correspondientes sin modificar reducirán el riesgo de descarga eléctrica.
- Evite el contacto corporal con superficies aterrizadas, tales como tuberías, radiadores, estufas y refrigeradores. Existe un riesgo mayor de descarga eléctrica si su cuerpo está aterrizado.
- No exponga las herramientas eléctricas a la lluvia ni a condiciones húmedas. Si se introduce agua en una herramienta eléctrica, aumentará el riesgo de descarga eléctrica.
- No maltrate el cable. Nunca utilice el cable para cargar, jalar o desconectar la herramienta eléctrica. Mantenga el cable alejado del calor, el aceite, los bordes afilados o las partes en movimiento. Los cables dañados o enredados aumentan el riesgo de descarga eléctrica.
- Al utilizar una herramienta eléctrica en exteriores, utilice una extensión adecuada para uso en exteriores. El uso de una extensión adecuada para el uso en exteriores disminuye el riesgo de descarga eléctrica.

•Si es inevitable utilizar una herramienta eléctrica en un lugar húmedo, utilice un alimentador de corriente protegido con un interruptor de circuito por falla de conexión a tierra (GFCI). El uso de un GFCI reduce el riesgo de descarga eléctrica.

SEGURIDAD PERSONAL

- Manténgase alerta, atento a lo que está haciendo y utilice el sentido común al utilizar una herramienta eléctrica. No utilice una herramienta eléctrica mientras está cansado o bajo la influencia de drogas, alcohol o medicamentos. Un momento de distracción al utilizar herramientas eléctricas puede ocasionar lesiones personales graves.
- Utilice equipo de protección personal. Siempre use protección para los ojos. El equipo de protección, tal como una máscara contra polvo, calzado antiderrizante, casco o protección auditiva, utilizado para condiciones adecuadas disminuirá las lesiones personales.
- Evite el arranque accidental. Asegúrese de que el interruptor esté en la posición de apagado antes de conectarlo a una fuente de poder y/o batería, levantar o trasladar la herramienta. Trasladar herramientas con el dedo en el interruptor o energizar herramientas eléctricas que tienen el interruptor encendido propicia accidentes.
- Retire cualquier llave de ajuste antes de entender la herramienta. Una llave que se deje insertada en una parte giratoria de la herramienta eléctrica puede ocasionar lesiones personales.
- No estire el cuerpo demasiado. Mantenga un buen contacto entre los pies y el suelo y mantenga el equilibrio en todo momento. Esto permite un mejor control de la herramienta eléctrica en situaciones inesperadas.
- Vístase adecuadamente. No utilice ropa o joyería holgada. Mantenga el cabello y la ropa alejados de las partes móviles. La ropa holgada, las alhajas o el cabello largo pueden quedarse atrapados en las partes móviles.
- Si se proporcionan dispositivos para la conexión de instalaciones de extracción y recolección de polvo, cerciérse de que estén conectados y se utilicen correctamente. El uso de dispositivos recolectores de polvo puede disminuir los riesgos relacionados con el polvo.
- No permita que la familiaridad por el uso frecuente de las herramientas lo hagan sentirse seguro e ignorar los principios de seguridad de las herramientas. Un descuido puede provocar lesiones graves en una fracción de segundo.

USO Y CUIDADO DE LAS HERRAMIENTAS ELÉCTRICAS

- No fuerce la herramienta eléctrica. Utilice la herramienta eléctrica correcta para su aplicación. La herramienta eléctrica correcta realizará el trabajo mejor y con mayor seguridad a la velocidad para la que fue diseñada.
- No utilice la herramienta eléctrica si el interruptor no la enciende y la apaga. Cualquier herramienta eléctrica que no pueda controlarse con el interruptor es peligrosa y debe repararse.
- Desconecte el enchufe de la fuente de energía y/o quite la batería de la herramienta eléctrica, si es posible, antes de realizar cualquier ajuste, cambiar accesorios o almacenar las herramientas eléctricas. Tales medidas preventivas de seguridad disminuyen el riesgo de que la herramienta eléctrica se encienda accidentalmente.

- Almacene las herramientas eléctricas que no se estén utilizando fuera del alcance de los niños y no permita que personas que no estén familiarizadas con la herramienta eléctrica o con estas instrucciones la utilicen. Las herramientas eléctricas son peligrosas en manos de usuarios sin capacitación.
- Dé mantenimiento a las herramientas eléctricas y accesorios. Verifique que no haya desalineación, amarre de partes móviles, partes rotas o alguna otra condición que pueda afectar el funcionamiento de la herramienta eléctrica. Si se daña, asegúrese de que la herramienta eléctrica sea reparada antes de que se utilice. Muchos accidentes son ocasionados por herramientas eléctricas con mantenimiento deficiente.
- Mantenga las herramientas de corte afiladas y limpias. Las herramientas de corte correctamente mantenidas con bordes de corte afilados son menos propensas a atorarse y son más fáciles de controlar.
- Utilice la herramienta eléctrica, los accesorios y las puntas, etc. de acuerdo con estas instrucciones, tomando en cuenta las condiciones de trabajo y el trabajo a realizar. El uso de la herramienta eléctrica para operaciones diferentes a las previstas podría generar una situación peligrosa.
- Mantenga las empuñaduras y ñas superficies de sujeción secas, limpias y libres de aceite y grasa. Las empuñaduras y superficies de sujeción resbalosas no permiten el manejo y control seguros de la herramienta en situaciones inesperadas.

USO Y CUIDADO DE LAS HERRAMIENTAS CON BATERÍA

- Recargue únicamente con el cargador especificado por el fabricante. Un cargador que es adecuado para un tipo de batería puede crear un riesgo de incendio si se utiliza con otra batería.
- Utilice las herramientas eléctricas únicamente con baterías específicamente diseñadas. El uso de cualquier otra batería puede producir un riesgo de lesiones e incendio.
- Cuando la batería no esté en uso, manténgala alejada de otros objetos metálicos como sujetapapeles, monedas, llaves, clavos, tornillos u otros objetos metálicos pequeños que puedan formar una conexión de una terminal a otra. Crear un corto entre las terminales de la batería puede ocasionar quemaduras o un incendio.
- Bajo condiciones de maltrato, el líquido puede ser expulsado de la batería, evite el contacto. En caso de contacto accidental, lave con agua. Si el líquido entra en contacto con los ojos, busque además ayuda médica. El líquido expulsado de la batería puede causar irritación o quemaduras.
- No use una batería o herramienta que se haya dañado o modificado. Las baterías dañadas o modificadas pueden mostrar un comportamiento impredecible, causando incendios, explosión o riesgo de lesión.
- No exponga una batería o herramienta al fuego o a temperatura excesiva. La exposición a fuego o temperatura a más de 130° C (265° F) puede causar explosiones.
- Siga todas las instrucciones de carga y no cargue la batería o la herramienta fuera del rango de temperatura especificado en las instrucciones. La carga incorrecta o a temperaturas fuera del rango especificado puede dañar la batería y aumentar el riesgo de incendio.

MANTENIMIENTO

- Lleve su herramienta eléctrica a servicio con un técnico calificado que use únicamente piezas de reemplazo idénticas. Esto asegurará que la seguridad de la herramienta eléctrica se mantenga.
- Nunca dé servicio a baterías dañadas. Únicamente el fabricante o proveedores de servicio autorizados deben dar servicio a las baterías.

REGLAS ESPECÍFICAS DE SEGURIDAD CRIMPADORA

- Use la herramienta únicamente como se indica. Solo el personal capacitado debe operar la herramienta.
- Para disminuir el riesgo de explosión, descarga eléctrica y daños materiales, no se use en líneas eléctricas energizadas. La herramienta no está aislada. El contacto con un circuito energizado podría ocasionar lesiones graves o la muerte. Apague la alimentación eléctrica antes de hacer un crimpado.
- Use únicamente la herramienta con las mordazas crimpadoras MILWAUKEE 49-16-U000, troqueles tipo "U" y conectores para los cuales está diseñada. Las mordazas, los troqueles y los conectores deben CORRESPONDER CORRECTAMENTE para lograr una operación exitosa. Las combinaciones inadecuadas pueden producir un crimpado con fallas. Puede presentarse una descarga eléctrica, incendio, explosión y daño a la propiedad.
- No utilice la herramienta sin las mordazas crimpadoras instaladas. Los dedos podrían aplastarse.
- Mantenga las manos alejadas de las mordazas crimpadoras mientras la herramienta está en uso. Los dedos podrían aplastarse.
- Para reducir el riesgo de lesiones, utilice gafas o lentes de seguridad con protectores laterales al operar o dar servicio a la herramienta.
- Inspeccione y descarte las piezas de trabajo con fisuras o desgaste antes de usarlas. Los materiales pueden fisurarse o quebrarse.
- Siga las instrucciones de instalación del fabricante del conector. Otros usos pueden causar daños a la herramienta, los accesorios y la pieza de trabajo.
- Conserve las etiquetas y las placas nominales. Contienen información importante. Si son ilegibles o no están presentes, comuníquese con un centro de servicio MILWAUKEE para obtener un reemplazo gratuito.
- ▲ADVERTENCIA Algunos polvos generados por el lijado eléctrico, aserrado, pulido, taladrado y otras actividades de construcción contienen químicos identificados como causantes de cáncer, defectos congénitos u otros daños reproductivos. Algunos ejemplos de estos químicos son:
 - plomo de pintura basada en plomo
 - dióxido de silicio de los ladrillos y el cemento y otros productos de albañilería y
 - arsénico y cromo de madera con tratamiento químico. Su riesgo por estas exposiciones varía, dependiendo de la frecuencia con que realice este tipo de trabajo. Para reducir su exposición a estos químicos: trabaje en un área bien ventilada y trabaje con equipo de seguridad aprobado, como mascarillas protectoras contra polvo especialmente diseñadas para filtrar partículas microscópicas.



Las conexiones hechas con esta herramienta (2679-20), mordaza (49-16-U000) y combinación de troquel y números de parte de conectores en los cuadros de abajo producen crimpados clasificados por cULus según las nomas de Clasificación UL 486A-B.

Orejetas y empalmes de cobre tipo barril cortos y largos							
	Anderson	Blackburn®	Burndy	ILSCO	Panduit	Penn-Union	T&B
Nos. de modelo de empalme	VHSS VHS	CSP CU	YS YS-L YS-T	CT CTL	SCSS SCS SCL SCH	BCU BBCU	54504-54520-TB 54804-54820
Nos. de modelo de orejetas	VHCS VHCL	CTL-2 CTL CTL-L LCN	YA YAZ YA-L YA-2L YA-2LN YA-L-NT YA-L-2NT YA-L-TC YA-L-2TC YA-2N YA-TC YA-2TC	CSW CRA CRB CLN CLW CRA-L CRB-L CRA-2L CRB-2L	LCAS LCA LCD LCB LCC	BLU BBLU	54104-54120-TB 54204-54220 54850BE-54878BE 54930BE-54920BE

Tamaño de cable	Color del troquel	Cat. No.	Marca de muesca del troquel	Orejetas: No. total de crimpados Empalmes: No. de crimpados por lado						
				Anderson	Blackburn®	Burndy	ILSCO	Panduit	Penn-Union	T&B
#8 AWG	ROJO	49-16-U008C	8							
#6 AWG	AZUL	49-16-U006C	6							
#4 AWG	GRIS	49-16-U004C	4							
#2 AWG	CAFÉ	49-16-U002C	2	1	1	1	1	1	1	1
#1 AWG	VERDE	49-16-U001C	1							
1/0 AWG	ROSA	49-16-U01AC	1/0							
2/0 AWG	NEGRO	49-16-U02AC	2/0							
3/0 AWG	ANARANJADO	49-16-U03AC	3/0							
4/0 AWG	MORADO	49-16-U04AC	4/0							
250 MCM	AMARILLO	49-16-U250C	250							
300 MCM	BLANCO	49-16-U300C	300							
350 MCM	ROJO	49-16-U350C	350	Orejetas: 2 Empalmes: N/A	2	2	2	2	2	2
400 MCM	AZUL	49-16-U400C	400							
500 MCM	CAFÉ	49-16-U500C	500							
600 MCM	VERDE	49-16-U600C	600							

Orejetas y empalmes de clasificación dual							
	Anderson	Blackburn®	Burndy	ILSCO	Panduit	Penn-Union	T&B
Nos. de modelo de empalme	VACS	ASP	YS-A	AS ASN	SA	BCUA	60501-60565
Nos. de modelo de orejetas	VACL	ATL	YA-A YA-ATN	ACL ACN ALNS 2ACL 2ACN ALND	LAA LAB	BLUA	60101-60166 60230-60267

Tamaño de cable	Color del troquel	Cat. No.	Marca de muesca del troquel	Orejetas: No. total de crimpados Empalmes: No. de crimpados por lado						
				Anderson	Blackburn®	Burndy	ILSCO	Panduit	Penn-Union	T&B
#8 AWG	AZUL	49-16-U008	8							
#6 AWG	GRIS	49-16-U006	6	Orejetas: N/A Empalmes: 2	Orejetas: 2 Empalmes: N/A	2	2		Orejetas: 2 Empalmes: N/A	2
#4 AWG	VERDE	49-16-U004	4							
#2 AWG	ROSA	49-16-U002	2	2	2				2	
#1 AWG	DORADO	49-16-U001	1							
1/0 AWG	CAFÉ CLARO	49-16-U01A	1/0							
2/0 AWG	VERDE OLIVA	49-16-U02A	2/0							
3/0 AWG	ROJO RUBÍ	49-16-U03A	3/0							
4/0 AWG	BLANCO	49-16-U04A	4/0							
250 MCM	ROJO	49-16-U250	250							
300 MCM	AZUL	49-16-U300	300							
350 MCM	CAFÉ	49-16-U350	350							

Para conocer el último listado de aprobación, visite milwaukeeool.com. Para asistencia técnica o de servicio, contacte a Servicio al Cliente de Milwaukee al 1-800-729-3878.

SIMBOLOGÍA



Volts
Corriente directa
Underwriters Laboratories, Inc.
Estados Unidos y Canadá

⚠ ADVERTENCIA Para disminuir el riesgo de explosión, descarga eléctrica y daños materiales, no se use en líneas eléctricas energizadas. La herramienta no está aislada. El contacto con un circuito energizado podría ocasionar lesiones graves o la muerte. Apague la alimentación eléctrica antes de hacer un crimpado.



⚠ ADVERTENCIA Mantenga las manos alejadas de las mordazas crimpadoras mientras se esté usando la herramienta. Los dedos podrían aplastarse.

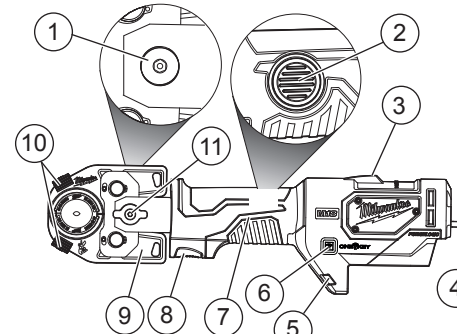


Para reducir el riesgo de lesiones, utilice gafas o lentes de seguridad con protectores laterales al operar o dar servicio a la herramienta.



Lea el manual del operador.

DESCRIPCIÓN FUNCIONAL



1. Tornillo de fijación de ajuste manual
2. Válvula de liberación de respaldo
3. Indicador de crimpado
4. Colgador
5. LED
6. Indicador de ONE-KEY
7. Empuñadura
8. Gatillo
9. Mordazas crimpadoras
10. Pestañas de liberación de troque
11. Pasador de retención

ESPECIFICACIONES

Cat. No. 2679-20
Volts 18 cd
Tipo de batería M18™
Tipo de cargador M18™
Temp. de operación -18 - 50° C (0° - 122° F)
Fuerza 53,4 kN (6T)

ENSAMBLAJE

⚠ ADVERTENCIA Recargue la batería sólo con el cargador especificado para ella. Para instrucciones específicas sobre cómo cargar, lea el manual del operador suministrado con su cargador y la batería.

Como se inserta/quita la batería en la herramienta

Para retirar la batería, presione los botones de liberación y jale de la batería para sacarla de la herramienta.

Para introducir la batería, deslícela en el cuerpo de la herramienta. Asegúrese de que quede bien firme en su posición.

⚠ ADVERTENCIA Para reducir el riesgo de lesiones, extraiga siempre la batería antes de acoplar o desacoplar accesorios. Utilice únicamente accesorios específicamente recomendados para esta herramienta. El uso de accesorios no recomendados podría resultar peligroso.

Inserción/extracción de las mordazas crimpadoras

1. Extraiga la batería.
2. Quite el tornillo de fijación de ajuste manual (cuando se utiliza) de la parte posterior del pasador de retención.
3. Empuje hacia dentro y luego gire el pasador de retención hacia la izquierda 90°. El pasador se botará.
4. Inserte las mordazas crimpadoras. Alinee el orificio central con el pasador de retención.
5. Introduzca el pasador de retención y gírelo 90° hacia la derecha.
6. Inserte y apriete a mano el tornillo de fijación de ajuste manual.
Nota: Utilice el tornillo de fijación de ajuste manual para evitar que tornillo de fijación de ajuste no se afloje. Un tornillo de fijación de ajuste suelto puede dañar la herramienta.
7. Gire las mordazas al ángulo deseado.

⚠ PRECAUCIÓN Para evitar daños a la herramienta, no opere la herramienta sin el pasador de retención totalmente insertado y bloqueado en su posición. Pueden presentarse daños al cilindro.

⚠ ADVERTENCIA Un crimpado incompleto o defectuoso podría ocasionar un incendio. Use únicamente la herramienta con las mordazas crimpadoras MILWAUKEE 49-16-U000, troqueles tipo "U" y conectores para los cuales está diseñada. Las mordazas, los troqueles y los conectores deben CORRESPONDER CORRECTAMENTE para lograr una operación exitosa. Las combinaciones inadecuadas pueden producir un crimpado con fallas. Puede presentarse una descarga eléctrica, incendio, explosión y daño a la propiedad.

Cambio de los troqueles

Inspeccione los troqueles y los conectores antes de usarlos. Utilice únicamente troqueles y conectores que correspondan correctamente para las mordazas crimpadoras. Consulte las especificaciones para verificar la compatibilidad de los troqueles/conectores.

1. Extraiga la batería.
2. Abra las mordazas apretando la parte posterior de la cabeza crimpadora.
3. Coloque a presión los troqueles correspondientes en cada lado de las mordazas crimpadoras. Suelte las mordazas.
4. Para quitarlas, abra las mordazas apretando la parte posterior de la cabeza crimpadora. Jale hacia fuera las pestañas de liberación del troquel. Jale los troqueles para sacarlos de las mordazas crimpadoras.

ONE-KEY™

Para obtener más información acerca de la funcionalidad de ONE-KEY para esta herramienta, consulte la Guía de inicio rápido que se incluye con este producto o visite milwaukeetool.com/One-Key. Para descargar la aplicación ONE-KEY, visite la App Store o Google Play desde su dispositivo inteligente.

OPERACION

ADVERTENCIA Para disminuir el riesgo de explosión, descarga eléctrica y daños materiales, no se use en líneas eléctricas energizadas. La herramienta no está aislada. El contacto con un circuito energizado podría ocasionar lesiones graves o la muerte. Apague la alimentación eléctrica antes de hacer un crimpado.

Mantenga las manos alejadas de las mordazas crimpadoras mientras se esté usando la herramienta. Los dedos podrían aplastarse.

Para reducir el riesgo de lesiones, extraiga siempre la batería antes de acoplar o desacoplar accesorios. Utilice únicamente accesorios específicamente recomendados para esta herramienta. El uso de accesorios no recomendados podría resultar peligroso.

Para reducir el riesgo de lesiones, use siempre lentes de seguridad o anteojos con protectores laterales.

Crimpado

- Antes de crimpar, asegúrese de que el pasador de retención esté correctamente asentado y que los troqueles estén debidamente instalados.
- Antes de iniciar, inspeccione las mordazas y los troqueles para detectar grietas u otros daños. No utilice mordazas o troqueles dañados. Comuníquese con un centro de servicio MILWAUKEE.
- Use únicamente mordazas, troqueles, conectores y cables QUE CORRESPONDAN CORRECTAMENTE. Las combinaciones inadecuadas pueden producir un crimpado con fallas.
- Inspeccione y descarte las piezas de trabajo con fisuras o desgaste antes de usarlas. Los materiales pueden fisurarse o quebrarse.
- Siga las instrucciones de instalación del fabricante de la máquina. Otros usos pueden causar daños a la herramienta, los accesorios y la pieza de trabajo.

1. Inserte la batería.
2. Coloque las mordazas con los troqueles instalados alrededor del conector.
3. Sostenga la herramienta firmemente. Presione sin soltar el gatillo.
4. Cuando el ciclo haya finalizado, la herramienta se apagará y el indicador se iluminará. Suelte el gatillo.

LED Indicador	Definición
Verde fijo	La herramienta terminó la operación y alcanzó la presión total de crimpado.
Rojo fijo	La herramienta terminó la operación pero NO alcanzó la presión total de crimpado.
Rojo destellando	La herramienta NO realizó la operación.
Destellando Rojo/Verde	La herramienta llegó a su intervalo de servicio (40,000 crimpados). El color verde/rojo empezará a destellar después de que se muestre el indicador de la operación. Devuelva la herramienta a un centro de servicio MILWAUKEE.

5. Siga crimpando de acuerdo a las instrucciones del fabricante del conector. Consulte las tablas "Orejetas y empalmes" para más información.
 - Para los empalmes, empiece crimpando en el centro, trabajando hacia afuera, alternando los lados.
 - Para las terminales, empiece a crimpar cerca de la almohadilla, trabajando hacia afuera.
6. Dos focos LED iluminarán la pieza de trabajo al jalar el gatillo.
7. El identificador de troquel se presiona dentro del conector durante el crimpado.

Válvula de liberación de respaldo

Si las mordazas necesitan abrirse sin finalizar el ciclo, presione sin soltar la válvula de liberación de respaldo. Sostenga la herramienta firmemente hasta que el cilindro se retraiga por completo.

MANTENIMIENTO

ADVERTENCIA Para reducir el riesgo de una lesión, desconecte siempre la herramienta antes de darle cualquier mantenimiento. Nunca desarme la herramienta ni trate de hacer modificaciones en el sistema eléctrico de la misma. Acuda siempre a un Centro de Servicio MILWAUKEE para TODAS las reparaciones.

Mantenimiento de la herramienta

Adopte un programa regular de mantenimiento y mantenga sus baterías y cargador en buenas condiciones. Después de 6 meses a un año, dependiendo del uso dado, envíe su herramienta, batería y cargador, al Centro de Servicio MILWAUKEE mas cercano para que le hagan:

- Lubricación
- Inspección mecánica y limpieza (engranes, flechas, baleros, carcaza, etc.)
- Inspección eléctrica (batería, cargador, motor)
- Probarla para asegurar una adecuada operación mecánica y eléctrica

Si la herramienta no arranca u opera a toda su potencia con una batería completamente cargada, limpie, con una goma o borrador, los contactos de la batería y de la herramienta. Si aun así la herramienta no trabaja correctamente, regrésela, con el cargador y la batería, a un centro de servicio MILWAUKEE para que sea reparada.

ADVERTENCIA Para reducir el riesgo de una explosión, no queme nunca una batería, aun si está dañada, "muerta" o completamente descargada.

Limpieza

Limpie el polvo y suciedad de las ventilas. Mantenga los mangos limpios, secos y libres de aceite o grasa. Use solo jabón neutro y un trapo húmedo para limpiar, ya que algunos solventes y limpiadores son dañinos a los plásticos y partes aislantes. Algunos de estos incluyen: gasolina, turpentina, thinner, lacas, thinner para pinturas, solventes para limpieza con cloro, amoníaco y detergentes caseros que tengan amonía. Nunca usa solventes inflamables o combustibles cerca de una herramienta.

Reparaciones

Si su herramienta, batería o cargador están dañados, envíela al centro de servicio más cercano.

ACCESORIOS

ADVERTENCIA Para reducir el riesgo de lesiones, siempre extraiga la batería antes de cambiar o retirar accesorios. Utilice únicamente accesorios específicamente recomendados para esta herramienta. El uso de accesorios no recomendados podría resultar peligroso.

Para una lista completa de accesorios, visite nuestro sitio en Internet: www.milwaukeetool.com o póngase en contacto con un distribuidor local.

SOPORTE DE SERVICIO - MEXICO

CENTRO DE ATENCION A CLIENTES

Techronic Industries Mexico, S.A. de C.V.

Av. Presidente Masarik 29 Piso 7

11560 Polanco V Seccion

Miguel Hidalgo, Distrito Federal, México

01 (800) 030-7777 o (55) 4160-3540

Lunes a Viernes (9am a 6pm)

O contáctanos en www.milwaukeetool.com.mx

GARANTÍA LIMITADA - E.U.A. Y CANADA

Cada herramienta eléctrica* MILWAUKEE (vea las excepciones más adelante) se garantiza al comprador original únicamente contra defectos en materiales y mano de obra. Sujeto a ciertas excepciones, MILWAUKEE reparará o reemplazará cualquier parte de una herramienta eléctrica que, tras una revisión, MILWAUKEE determine que tiene defectos en material o mano de obra durante un periodo de cinco (5) años** después de la fecha de compra, a menos que se indique lo contrario. Se requiere que se envíe la herramienta eléctrica a un Centro de Servicio de fábrica de MILWAUKEE o a una Estación de Servicio Autorizada de MILWAUKEE, con flete prepago y asegurado. Debe incluirse una copia del comprobante de compra con el producto enviado. Esta garantía no aplica a daños que MILWAUKEE determine que son ocasionados por reparaciones o intentos de reparaciones realizados por una persona que no sea personal autorizado de MILWAUKEE, uso indebido, alteraciones, maltrato, desgaste normal, falta de mantenimiento o accidentes.

Desgaste normal: Muchas herramientas eléctricas necesitan reemplazos periódicos de partes y servicio para lograr el mejor rendimiento. Esta garantía no cubre la reparación cuando el uso normal ha agotado la vida útil de una parte, incluyendo, entre otras, mandriles, cepillos, cables, zapatas de sierra, abrazaderas de hoja, juntas tóricas, sellos, parachoques, cuchillas de propulsión, pistones, percutores, elevadores y arandelas de la cubierta del parachoques.

*Esta garantía no cubre las clavadoras y grapadoras neumáticas, pulverizador de pintura sin aire, baterías inalámbricas, generadores portátiles accionados por gasolina, herramientas manuales, polipasto eléctrico, de palanca y cadena manual, prendas calefactadas M12™, productos reacondicionados, y productos de prueba y medición. Hay garantías independientes y distintas disponibles para estos productos.

**El periodo de garantía de los radios para obra, puerto de energía M12™, fuente de poder M18™, ventilador para obra y carros de trabajo industriales Trade Titan™ es de un (1) año a partir de la fecha de compra. El periodo de garantía de los cables de limpieza de drenaje es de dos (2) años desde la fecha de compra. El periodo de garantía del LED de la lámpara de trabajo LED y el foco de cambio a LED para la lámpara de trabajo es por toda la vida del producto, sujeto a las limitaciones mencionadas anteriormente. Si durante el uso normal falla el LED o el foco LED, la parte se reemplazará sin cargo alguno. No es necesario el registro de la garantía para obtener la garantía correspondiente para un producto de herramienta eléctrica MILWAUKEE. La fecha de manufactura del producto se utilizará para determinar el periodo de garantía si no se proporciona comprobante de compra al solicitar el servicio en garantía.

LA ACEPTACIÓN DE LOS REMEDIOS EXCLUSIVOS DE REPARACIÓN Y REEMPLAZO AQUÍ DESCRITOS ES UNA CONDICIÓN DEL CONTRATO PARA LA COMPRA DE TODO PRODUCTO DE MILWAUKEE. SI USTED NO ACEPTA ESTA CONDICIÓN, NO DEBE COMPRAR EL PRODUCTO. MILWAUKEE NO SERÁ RESPONSABLE EN NINGUN CASO DE DAÑOS INCIDENTALES, ESPECIALES, EMERGENTES O PUNITIVOS, NI DE NINGUN COSTO, HONORARIOS LEGALES, GASTOS, PÉRDIDAS O DEMORAS ALEGADOS COMO CONSECUENCIA DE ALGUN DAÑO, FALLA O DEFECTO EN NINGUN PRODUCTO, INCLUYENDO, ENTRE OTROS, RECLAMACIONES POR PÉRDIDA DE UTILIDADES, ALGUNOS ESTADOS NO PERMITEN LA EXCLUSIÓN O LIMITACIÓN DE RESPONSABILIDAD POR DAÑOS INCIDENTALES O EMERGENTES, POR LO QUE LA ANTERIOR LIMITACIÓN O EXCLUSIÓN PODRÍA NO APLICARSE EN SU CASO. ESTA GARANTÍA ES EXCLUSIVA Y REEMPLAZA TODAS LAS DEMÁS GARANTÍAS EXPRESAS, ESCRITAS U ORALES, EN LA MEDIDA EN QUE LO PERMITA LA LEY, MILWAUKEE DESCONOCE CUALQUIER GARANTÍA IMPLÍCITA, INCLUYENDO, SIN LIMITACIÓN, CUALQUIER GARANTÍA IMPLÍCITA DE COMERCIABILIDAD O IDONEIDAD PARA UN FIN O USO ESPECÍFICO; EN LA MEDIDA EN QUE DICHO DESCONOCIMIENTO NO SEA PERMITIDO POR LA LEY, DICHAS GARANTÍAS IMPLÍCITAS SE LIMITAN A LA DURACIÓN DE LA GARANTÍA EXPRESA CORRESPONDIENTE SEGÚN SE DESCRIBIÓ ANTERIORMENTE. ALGUNOS ESTADOS NO PERMITEN LIMITACIONES SOBRE LA DURACIÓN DE UNA GARANTÍA IMPLÍCITA, POR LO QUE LA ANTERIOR LIMITACIÓN PUDIERA NO APLICARSE A USTED. ESTA GARANTÍA LE DA DERECHOS LEGALES ESPECÍFICOS Y USTED PODRÍA ADEMÁS TENER OTROS DERECHOS QUE VARIAN DE UN ESTADO A OTRO. Esta garantía aplica a productos vendidos en los Estados Unidos y en Canadá únicamente.

Consulte la 'Búsqueda de Centros de Servicio' en la sección de Refacciones y Servicio del sitio web de MILWAUKEE www.milwaukeetool.com o llame al 1.800.SAWDUST (1.800.729.3878) para localizar el centro de servicio más cercano para servicio dentro y fuera de la garantía para una herramienta eléctrica Milwaukee.

PÓLIZA DE GARANTÍA - VALIDA SOLO PARA MEXICO, AMÉRICA CENTRAL Y EL CARIBE

La garantía de TECHTRONIC INDUSTRIES es por 5 años a partir de la fecha original de compra.

Esta tarjeta de garantía cubre cualquier defecto de material y mano de obra en ese Producto.

Para hacer válida esta garantía, presente esta tarjeta de garantía, cerrada/sellada por el distribuidor o la tienda donde compró el producto, al Centro de Servicio Autorizado (ASC). O, si esta tarjeta no se ha cerrado/sellado, presente la prueba original de compra a ASC. Llame gratis al 01 (800) 030-7777 para encontrar el ASC más cercano, para servicio, partes, accesorios o componentes.

Procedimiento para hacer válida esta garantía

Lleve el producto a ASC, junto con la tarjeta de garantía cerrada/sellada por el distribuidor o la tienda donde compró el producto, y cualquier pieza o componente defectuoso se reemplazará sin costo para usted. Cubriremos todos los costos de flete con relación a este proceso de garantía

Excepciones

Esta garantía no tendrá validez en las siguientes situaciones:

- Cuando el producto se use de manera distinta a la que indica el manual del usuario final o de instrucciones.
- Cuando las condiciones de uso no sean normales.
- Cuando otras personas no autorizadas por TECHTRONIC INDUSTRIES modifiquen o reparen el producto.

Nota: si el juego de cables está dañado, tiene que reemplazarse en un Centro de Servicio Autorizado para evitar riesgos eléctricos.

CENTRO DE SERVICIO Y ATENCIÓN

Llame al 01 (800) 030-7777

IMPORTADO Y COMERCIALIZADO POR
TECHTRONIC INDUSTRIES, MÉXICO, SA DE CV

Av. President Masarik #29 piso 7, Col. Polanco V Sección

CP 11560, Deleg. Miguel Hidalgo, CDMX

Modelo: _____

Fecha de Compra: _____

Sello del Distribuidor: _____

MILWAUKEE TOOL
13135 West Lisbon Road
Brookfield, WI 53005 USA