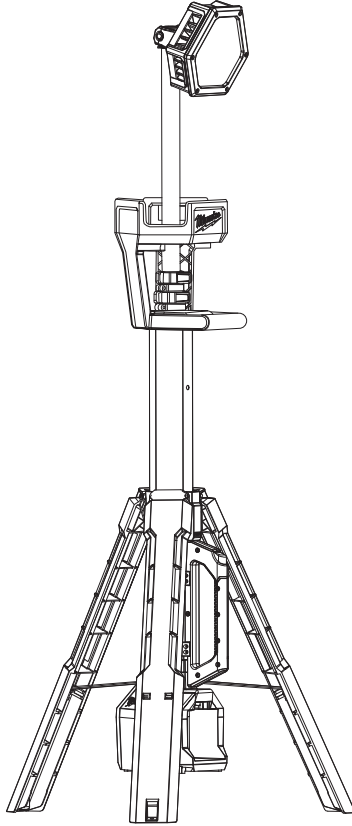




OPERATOR'S MANUAL  
MANUEL de L'UTILISATEUR  
MANUAL del OPERADOR



Cat. No. / No de cat.  
2131-20

M18™ **ROCKET™** DUAL POWER TOWER LIGHT  
TOUR D'ÉCLAIRAGE AVEC DEUX SOURCES D'ALIMENTATION  
M18™ **ROCKET™**  
LÁMPARA DUAL TIPO TORRE M18™ **ROCKET™**



**WARNING** To reduce the risk of injury, user must read and understand operator's manual.

**AVERTISSEMENT** Afin de réduire le risque de blessures, l'utilisateur doit lire et bien comprendre le manuel.

**ADVERTENCIA** Para reducir el riesgo de lesiones, el usuario debe leer y entender el manual.

# IMPORTANT SAFETY INSTRUCTIONS

**⚠ WARNING** Read all safety warnings and all instructions. Failure to follow the warnings and instructions may result in electric shock, fire and/or serious injury. Save all warnings and instructions for future reference.

## WORK AREA SAFETY

- To reduce the risk of injury, close supervision is necessary when an appliance is used near children.
- Store idle light out of reach of children. Warm lights can become hazardous in the hands of children.
- Do not use outdoors.

## ELECTRICAL SAFETY

- Power cord plugs must match the outlet. Never modify the plug in any way. Do not use any adapter plugs with earthed (grounded) power tools. Unmodified plugs and matching outlets will reduce risk of electric shock.
- Avoid body contact with earthed or grounded surfaces, such as pipes, radiators, ranges and refrigerators. There is an increased risk of electric shock if your body is earthed or grounded.
- To reduce the risk of electric shock, do not put light in water or other liquid. Do not place or store appliance where it can fall or be pulled into a tub or sink.
- Do not abuse the cord. Never use the cord for carrying, pulling or unplugging the power tool. Keep cord away from heat, oil, sharp edges or moving parts.
- Arrange cords carefully to avoid hazardous environments. Tripping or snagging on cords can cause injury and product damage. Do not allow cords to run through puddles or across wet ground.
- Do not unplug by pulling on the cord. To unplug, grasp the plug, not the cord.
- Unplug the cord from outlet when not in use and before servicing or cleaning.
- Always use a suitable extension cord to reduce the risk of electric shock.
- If operating a light in a damp location is unavoidable, use a ground fault circuit interrupter (GFCI) protected supply. Use of an GFCI reduces the risk of electric shock.

## PERSONAL SAFETY

- Do not overreach. Keep proper footing and balance at all times. This enables better control of the light in unexpected situations.
- Do not use on a ladder or unstable support. Stable footing on a solid surface enables better control of the light in unexpected situations.

## BATTERY TOOL USE AND CARE

- Recharge only with the charger specified by the manufacturer. A charger that is suitable for one type of battery pack may create a risk of fire when used with another battery pack.
- Use light only with specifically designated battery packs. Use of any other battery packs may create a risk of injury and fire.

- When battery pack is not in use, keep it away from other metal objects, like paper clips, coins, keys, nails, screws or other small metal objects, that can make a connection from one terminal to another. Shorting the battery terminals together may cause burns or a fire.
- Under abusive conditions, liquid may be ejected from the battery; avoid contact. If contact accidentally occurs, flush with water. If liquid contacts eyes, additionally seek medical help. Liquid ejected from the battery may cause irritation or burns.
- Do not use a battery pack or tool that is damaged or modified. Damaged or modified batteries may exhibit unpredictable behavior resulting in fire, explosion or risk of injury.
- Do not expose a battery pack or tool to fire or excessive temperature. Exposure to fire or temperature above 265°F (130°C) may cause explosion.
- Follow all charging instructions and do not charge the battery pack or tool outside the temperature range specified in the instructions. Charging improperly or at temperatures outside the specified range may damage the battery and increase the risk of fire.

## SERVICE

- Have your light serviced by a qualified repair person using only identical replacement parts. This will ensure that the safety of the light is maintained.
- Never service damaged battery packs. Service of battery packs should only be performed by the manufacturer or authorized service providers.

## SPECIFIC SAFETY RULES

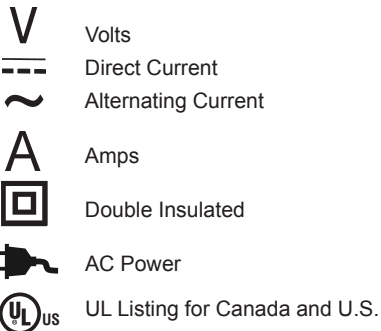
- Warning - The lens may get hot during use. To reduce the risk of burns, do not touch hot lens.
- Maintain labels and nameplates. These carry important information. If unreadable or missing, contact a MILWAUKEE service facility for a free replacement.

# SAVE THESE INSTRUCTIONS

## SPECIFICATIONS

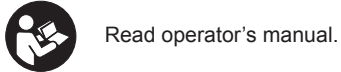
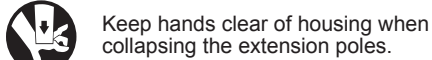
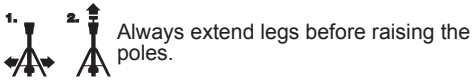
Cat. No. ....	2131-20
Volts.....	18 DC
Battery Type.....	M18™
Charger Type.....	M18™
AC Input Volts.....	120
DC Input Volts.....	18
AC Input Amps.....	0.5
Recommended Ambient Operating Temperature.....	0°F to 125°F

## SYMBOLOLOGY

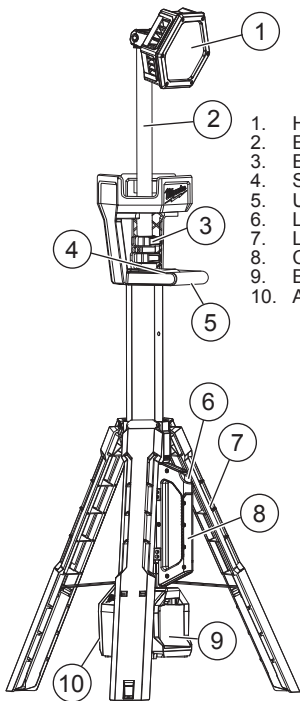


## CAUTION

Bright Light - Do Not Stare Into Light



## FUNCTIONAL DESCRIPTION



1. Head
2. Extension poles
3. Extension latches
4. Switch
5. Upper handle
6. Leg release button
7. Legs
8. Carrying handle
9. Battery bay
10. AC inlet

## EXTENSION CORDS

Grounded tools require a three wire extension cord. Double insulated tools can use either a two or three wire extension cord. As the distance from the supply outlet increases, you must use a heavier gauge extension cord. Using extension cords with inadequately sized wire causes a serious drop in voltage, resulting in loss of power and possible tool damage. Refer to the table shown to determine the required minimum wire size.

The smaller the gauge number of the wire, the greater the capacity of the cord. For example, a 14 gauge cord can carry a higher current than a 16 gauge cord. When using more than one extension cord to make up the total length, be sure each cord contains at least the minimum wire size required. If you are using one extension cord for more than one tool, add the nameplate amperes and use the sum to determine the required minimum wire size.

### Guidelines for Using Extension Cords

- Be sure your extension cord is properly wired and in good electrical condition. Always replace a damaged extension cord or have it repaired by a qualified person before using it.
- Protect your extension cords from sharp objects, excessive heat and damp or wet areas.

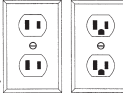
Nameplate Amperes	Extension Cord Length				
	25'	50'	75'	100'	150'
0 - 2.0	18	18	18	18	16
2.1 - 3.4	18	18	18	16	14
3.5 - 5.0	18	18	16	14	12
5.1 - 7.0	18	16	14	12	12
7.1 - 12.0	16	14	12	10	--
12.1 - 16.0	14	12	10	--	--
16.1 - 20.0	12	10	--	--	--

\* Based on limiting the line voltage drop to five volts at 150% of the rated amperes.

## READ AND SAVE ALL INSTRUCTIONS FOR FUTURE USE.

### Double Insulated Tools (Two-Prong Plugs)

Tools marked "Double Insulated" do not require grounding. They have a special double insulation system which satisfies OSHA requirements and complies with the applicable standards of Underwriters Laboratories, Inc., the Canadian Standard Association and the National Electrical Code. Double Insulated tools may be used in either of the 120 volt outlets shown in Figures Fig. A Fig. B A and B.



## ASSEMBLY

**WARNING** Recharge only with the charger specified for the battery. For specific charging instructions, read the operator's manual supplied with your charger and battery.

### Inserting/Removing Battery Pack

Insert the battery pack by sliding battery pack into the battery bay. Insert the battery pack until the battery latches lock.

To remove the battery pack, press in both battery latches and slide the battery pack out of the battery bay.

### Inserting/Removing Extension Cord

To operate the light on AC power, extend and lock legs. Plug a suitable extension cord into the AC inlet (1). To disconnect the extension cord, press the switch (4) button to turn off the light, then remove the cord from the inlet.

**NOTE:** When an extension cord is plugged into the light, the light will automatically run on AC power.

**WARNING** To reduce the risk of injury, do not look directly into the light when the light is on.

To reduce the risk of injury, always fully extend and lock legs into position before raising the poles. Light may tip and cause injury.

To reduce the risk of injury, keep hands clear of the housing area when collapsing the extension poles. Head may descend rapidly, pinching hands and fingers.

### Extending/Collapsing the Legs

Always extend and lock legs before raising the poles.

1. Stand light upright.
2. Press the Leg Release Button and slide the legs down using the Carrying Handle.
3. Lift up on the Upper Handle while sliding down the Carrying Handle.
4. Lift until the Battery Bay lifts off the floor and the legs lock into place.
5. To collapse, press the Leg Release Button and slide in the legs using the Carrying Handle. Keep hands clear of the legs as they collapse.

### Extending/Collapsing the Extension Poles

Extend or collapse the two poles to set the light at the desired height.

1. Extend and lock the legs.
2. Open the top extension latch and raise the head out of the housing. Extend the pole to the desired height.
3. Fully close top extension latch.
4. If more height is needed, fully extend first pole and close latch before opening bottom latch.
5. Continue to raise the head to the desired height.
6. Fully close bottom extension latch.
7. Rotate the heads to the desired angle. The three heads can be adjusted individually.

**NOTE:** Before collapsing the poles, the heads must be returned to their upright angle.

## OPERATION

**WARNING** To reduce the risk of injury, do not look directly into the light when the light is on.

### Using the Light

1. Insert battery pack or plug into AC power.
2. Use the switch (1) to cycle through High, Medium, Low, and OFF. Press and hold to turn OFF from any setting.

## MAINTENANCE

**WARNING** To reduce the risk of injury, always unplug the charger and remove the battery pack from the charger before performing any maintenance. Never disassemble the tool, battery pack or charger. Contact a MILWAUKEE service facility for ALL repairs.

### Maintaining Light

Keep your light, battery pack and charger in good repair by adopting a regular maintenance program. If the light does not work properly, return the light to a MILWAUKEE service facility for repairs.

### Tightening

If the head or extensions will not hold their position, the screws may need to be tightened. Tighten the bracket screws by holding the head. Tighten the extension latches by opening the latches and tightening the screw inside.

**WARNING** To reduce the risk of personal injury and damage, never immerse your tool, battery pack or charger in liquid or allow a liquid to flow inside them.

### Cleaning

Clean dust and debris from vents. Keep handles clean, dry and free of oil or grease. Use only mild soap and a damp cloth to clean, since certain cleaning agents and solvents are harmful to plastics and other insulated parts. Do not use sprays or solvents. Some of these include gasoline, turpentine, lacquer thinner, paint thinner, chlorinated cleaning solvents, ammonia and household detergents containing ammonia. Never use flammable or combustible solvents around tools.

## ACCESSORIES

**WARNING** Use only recommended accessories. Others may be hazardous. For a complete listing of accessories, go online to [www.milwaukeeetool.com](http://www.milwaukeeetool.com) or contact a distributor.

## SERVICE - UNITED STATES

**1-800-SAWDUST (1.800.729.3878)**  
Monday-Friday, 7:00 AM - 6:30 PM CST  
or visit [www.milwaukeeetool.com](http://www.milwaukeeetool.com)

Contact Corporate After Sales Service Technical Support with technical, service/repair, or warranty questions.

Email: [metproductsupport@milwaukeeetool.com](mailto:metproductsupport@milwaukeeetool.com)

Become a Heavy Duty Club Member at [www.milwaukeeetool.com](http://www.milwaukeeetool.com) to receive important notifications regarding your tool purchases.

## SERVICE - CANADA

Milwaukee Tool (Canada) Ltd  
1.800.268.4015

Monday-Friday, 7:00 AM - 4:30 PM CST  
or visit [www.milwaukeetool.ca](http://www.milwaukeetool.ca)

## LIMITED WARRANTY USA & CANADA

Every MILWAUKEE power tool\* (see exceptions below) is warranted to the original purchaser only to be free from defects in material and workmanship. Subject to certain exceptions, MILWAUKEE will repair or replace any part on an electric power tool which, after examination, is determined by MILWAUKEE to be defective in material or workmanship for a period of five (5) years\*\* after the date of purchase unless otherwise noted. Return of the power tool to a MILWAUKEE factory Service Center location or MILWAUKEE Authorized Service Station, freight prepaid and insured, is required. A copy of the proof of purchase should be included with the return product. This warranty does not apply to damage that MILWAUKEE determines to be from repairs made or attempted by anyone other than MILWAUKEE authorized personnel, misuse, alterations, abuse, normal wear and tear, lack of maintenance, or accidents.

**Normal Wear:** Many power tools need periodic parts replacement and service to achieve best performance. This warranty does not cover repair when normal use has exhausted the life of a part including, but not limited to, chucks, brushes, cords, saw shoes, blade clamps, o-rings, seals, bumpers, driver blades, pistons, strikers, lifters, and bumper cover washers.

\*This warranty does not cover Air Nailers & Staplers; Airless Paint Sprayer; Cordless Battery Packs; Gasoline Driven Portable Power Generators; Hand Tools; Hoist - Electric, Lever & Hand Chain; M12™ Heated Gear; Reconditioned Product; and Test & Measurement Products. There are separate and distinct warranties available for these products.

\*\*The warranty period for Job Site Radios, M12™ Power Port, M18™ Power Source, Jobsite Fan and Trade Titan™ Industrial Work Carts is one (1) year from the date of purchase. The warranty period for the Drain Cleaning Cables is two (2) years from the date of purchase. The warranty period for the M18™ Compact Heat Gun and the 8 Gallon Dust Extractor is three (3) years from the date of purchase. The warranty period for the LED in the LED Work Light and the LED Upgrade Bulb for the Work Light is the lifetime of the product subject to the limitations above. If during normal use the LED or LED Bulb fails, the part will be replaced free of charge.

Warranty Registration is not necessary to obtain the applicable warranty on a MILWAUKEE power tool product. The manufacturing date of the product will be used to determine the warranty period if no proof of purchase is provided at the time warranty service is requested.

ACCEPTANCE OF THE EXCLUSIVE REPAIR AND REPLACEMENT REMEDIES DESCRIBED HEREIN IS A CONDITION OF THE CONTRACT FOR THE PURCHASE OF EVERY MILWAUKEE PRODUCT. IF YOU DO NOT AGREE TO THIS CONDITION, YOU SHOULD NOT PURCHASE THE PRODUCT. IN NO EVENT SHALL MILWAUKEE BE LIABLE FOR ANY INCIDENTAL, SPECIAL, CONSEQUENTIAL OR PUNITIVE DAMAGES, OR FOR ANY COSTS, ATTORNEY FEES, EXPENSES, LOSSES OR DELAYS ALLEGED TO BE AS A CONSEQUENCE OF ANY DAMAGE TO, FAILURE OF, OR DEFECT IN ANY PRODUCT INCLUDING, BUT NOT LIMITED TO, ANY CLAIMS FOR LOSS OF PROFITS. SOME STATES DO NOT ALLOW THE EXCLUSION OR LIMITATION OF INCIDENTAL OR CONSEQUENTIAL DAMAGES, SO THE ABOVE LIMITATION OR EXCLUSION MAY NOT APPLY TO YOU. THIS WARRANTY IS EXCLUSIVE AND IN LIEU OF ALL OTHER EXPRESS WARRANTIES, WRITTEN OR ORAL, TO THE EXTENT PERMITTED BY LAW, MILWAUKEE DISCLAIMS ANY IMPLIED WARRANTIES, INCLUDING WITHOUT LIMITATION ANY IMPLIED WARRANTY OF MERCHANTABILITY OR FITNESS FOR A PARTICULAR USE OR PURPOSE; TO THE EXTENT SUCH DISCLAIMER IS NOT PERMITTED BY LAW, SUCH IMPLIED WARRANTIES ARE LIMITED TO THE DURATION OF THE APPLICABLE EXPRESS WARRANTY AS DESCRIBED ABOVE. SOME STATES DO NOT ALLOW LIMITATIONS ON HOW LONG AN IMPLIED WARRANTY LASTS. SO THE ABOVE LIMITATION MAY NOT APPLY TO YOU. THIS WARRANTY GIVES YOU SPECIFIC LEGAL RIGHTS, AND YOU MAY ALSO HAVE OTHER RIGHTS WHICH VARY FROM STATE TO STATE.

This warranty applies to product sold in the U.S.A. and Canada only. Please consult the 'Service Center Search' in the Parts & Service section of MILWAUKEE's website [www.milwaukeetool.com](http://www.milwaukeetool.com) or call 1.800.SAWDUST (1.800.729.3878) to locate your nearest service facility for warranty and non-warranty service on a Milwaukee electric power tool.

## LIMITED WARRANTY - MEXICO, CENTRAL AMERICA & CARIBBEAN

TECHTRONIC INDUSTRIES' warranty is for 5 years since the original purchase date.

This warranty card covers any defect in material and workmanship on this Product.

To make this warranty valid, present this warranty card, sealed/stamped by the distributor or store where you purchased the product, to the Authorized Service Center (ASC). Or, if this card has not been sealed/stamped, present the original proof of purchase to the ASC. Call toll-free 1 01 (800) 030-7777 to find the nearest ASC, for service, parts, accessories or components.

### Procedure to make this warranty valid

Take the product to the ASC, along with the warranty card sealed/stamped by the distributor or store where you purchased the product, and any faulty piece or component will be replaced without cost for you. We will cover all freight costs relative with this warranty process.

### Exceptions

This warranty is not valid in the following situations

a) When the product is used in a different manner from the end-user guide or instruction manual.

b) When the conditions of use are not normal.

c) When the product was modified or repaired by people not authorized by TECHTRONIC INDUSTRIES.

**Note:** If cord set is damaged, it should be replaced by an Authorized Service Center to avoid electric risks.

### SERVICE AND ATTENTION CENTER

Call to 01 (800) 030-7777

IMPORTED AND COMMERCIALIZED BY  
TECHTRONIC INDUSTRIES MEXICO, SA DE CV  
Av President Masarik #29 piso 7, Col. Polanco V Seccion  
CP 11560, Deleg. Miguel Hidalgo, CDMX

Model: \_\_\_\_\_

Date of Purchase: \_\_\_\_\_

Distributor or Store Stamp: \_\_\_\_\_

## CONSIGNES DE SÉCURITÉ IMPORTANTES

**AVERTISSEMENT** Lire toutes les consignes de sécurité, consignes, illustrations et spécifications fournies avec cet outil électrique. Ne pas suivre l'ensemble des règles et instructions peut entraîner une électrocution, un incendie ou des blessures graves. **Conserver les règles et les instructions à des fins de référence ultérieure.**

### SÉCURITÉ DU LIEU DE TRAVAIL

- Pour réduire les risques de blessures, porter une attention particulière lorsque le produit est utilisé en présence d'enfants.
- Entreposer la lumière par projection non utilisé hors de la portée des enfants. Les lumières chauds peuvent être dangereux dans les mains des enfants.
- Ne pas utiliser cet lumière à l'extérieur.

### SÉCURITÉ ÉLECTRIQUE

- Les fiches des outils électriques doivent correspondre à la prise secteur utilisée. Ne jamais modifier la fiche, de quelque façon que ce soit. Ne jamais utiliser d'adaptateurs de fiche avec des outils mis à la terre. Les fiches et prises non modifiées réduisent le risque de choc électrique.

- Éviter tout contact avec des surfaces mises à la terre comme des tuyaux, des radiateurs, des cuisinières et des réfrigérateurs. Le risque de choc électrique est accru lorsque le corps est mis à la terre.
- Pour réduire le risque de choc électrique, ne pas submerger la lampe dans l'eau ou tout autre liquide. Ne pas placer ni entreposer l'appareil dans un endroit où il peut tomber ou être tiré dans un évier ou une baignoire.
- Ne pas maltraiter le cordon d'alimentation. Ne jamais utiliser le cordon d'alimentation pour transporter l'outil électrique et ne jamais débrancher ce dernier en tirant sur le cordon. Garder le cordon à l'écart de la chaleur, de l'huile, des objets tranchants et des pièces en mouvement. Un cordon endommagé ou emmêlé accroît le risque de choc électrique.
- Disposer les cordons avec soin pour ne pas créer un environnement dangereux. Trébucher ou s'accrocher aux cordons peut causer une blessure et endommager le produit. Ne pas acheminer les cordons sur des flaques d'eau ou sur un sol humide.
- Ne pas débrancher l'appareil en tirant sur le cordon. Pour débrancher, tirer plutôt sur la fiche et non sur le cordon.

- Débrancher l'appareil lorsque celui-ci n'est pas utilisé et avant de procéder à son entretien ou à son nettoyage.
- Toujours utiliser une rallonge adéquate pour réduire le risque de choc électrique.
- Si l'utilisation d'un outil électrique est inévitable dans un endroit humide, utiliser une source d'alimentation munie d'un disjoncteur de fuite de terre. L'utilisation d'un disjoncteur de fuite de terre réduit le risque de choc électrique.

### SÉCURITÉ INDIVIDUELLE

- Ne pas travailler hors de portée. Toujours se tenir bien campé et en équilibre. Une bonne stabilité procure un meilleur contrôle de la lumière en cas d'imprévu.
- Ne pas utiliser l'outil sur une échelle ou un support instable. L'utilisation d'un support stable sur une surface ferme permet de mieux contrôler l'outil en cas de situation imprévue.

### UTILISATION ET ENTRETIEN DE LA BATTERIE

- Pour recharger le bloc-piles, utiliser seulement le chargeur spécifié par le fabricant. Un chargeur pouvant convenir à un type de bloc-piles peut entraîner un risque d'incendie lorsqu'il est utilisé avec un autre type de bloc-piles.
- N'utiliser la lumière qu'avec une batterie recommandée. L'utilisation de tout autre bloc-piles peut créer un risque de blessures et d'incendie.
- Lorsque le bloc-piles n'est pas utilisé, le tenir éloigné des objets en métal tels que les trombones, les pièces de monnaie, les clés, les clous, les vis ou d'autres petits objets métalliques qui pourraient connecter les bornes. Le court-circuitage des bornes d'une pile peut entraîner des brûlures ou un incendie.
- Éviter tout contact avec le liquide pouvant être éjecté de la pile en cas de manutention abusive. En cas de contact accidentel, rincer immédiatement les parties atteintes avec de l'eau. Si le liquide entre en contact avec les yeux, consulter un médecin. Le liquide éjecté des piles peut causer des irritations ou des brûlures.

- N'utiliser aucun bloc-piles ni aucun outil ayant été endommagé ou modifié. Des piles endommagées ou modifiées peuvent adopter un comportement imprévisible pouvant causer un incendie, une explosion ou le risque de blessures.
- Ne pas exposer le bloc-piles ou l'outil aux flammes ou à une température excessive. Une exposition aux flammes ou à une température supérieure à 130°C (265°F) peut causer une explosion.
- Suivre toutes les instructions de charge et ne pas charger le bloc-piles ou l'outil en dehors de la plage de température spécifiée. Une charge incorrecte ou à des températures en dehors de la plage spécifiée peut endommager la pile et augmenter le risque d'incendie.

## ENTRETIEN

- Les réparations de la lumière doivent être confiées à un technicien qualifié, utilisant exclusivement des pièces identiques à celles d'origine. Le maintien de la sûreté de l'outil électrique sera ainsi assuré.
- Ne jamais effectuer la réparation d'un bloc-piles endommagé. La réparation du bloc-piles doit être réalisée par le fabricant ou les fournisseurs de service agréés uniquement.

## RÈGLES DE SÉCURITÉ SPÉCIFIQUES

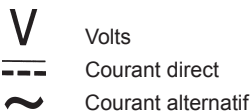
- Avertissement - La lentille devient très chaude pendant l'utilisation. Pour réduire les risques de brûlures, ne pas toucher la lentille chaude.
- Maintenir en l'état les étiquettes et les plaques d'identification. Des informations importantes y figurent. Si elles sont illisibles ou manquantes, contacter un centre de services et d'entretien MILWAUKEE pour un remplacement gratuit.

## CONSERVER CES INSTRUCTIONS

### SPECIFICATIONS

No de Cat.....	2131-20
Volts.....	18 CD
Type de batterie.....	M18™
Type de chargeur.....	M18™
Tension d'alimentation CA.....	120
Tension d'alimentation CC.....	18
Ampérage d'entrée CA.....	0,5
Température ambiante de fonctionnement recommandée.....	-18°C à 50°C (0°F à 125°F)

## PICTOGRAPHIE



Volts  
Courant direct  
Courant alternatif



Ampères



Double isolation



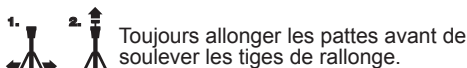
Puissance CA



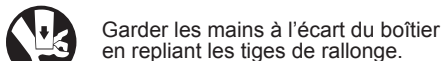
UL Listing Mark pour  
Canada et États-Unis



**ATTENTION**  
Éclairage lumineux -  
Ne pas fixer directement le faisceau



Toujours allonger les pattes avant de  
soulever les tiges de rallonge.

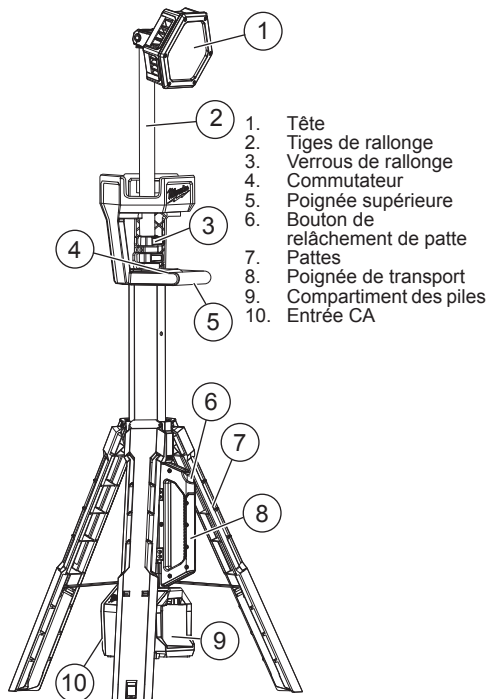


Garder les mains à l'écart du boîtier  
en repliant les tiges de rallonge.



Lire le manuel d'utilisation.

## DESCRIPTION FONCTIONNELLE



1. Tête
2. Tiges de rallonge
3. Verrous de rallonge
4. Commutateur
5. Poignée supérieure
6. Bouton de relâchement de patte
7. Pattes
8. Poignée de transport
9. Compartiment des piles
10. Entrée CA

## CORDONS DE RALLONGE

Si l'emploi d'un cordon de rallonge est nécessaire, un cordon à trois fils doit être employé pour les outils mis à la terre. Pour les outils à double isolation, on peut employer indifféremment un cordon de rallonge à deux ou trois fils. Plus la longueur du cordon entre l'outil et la prise de courant est grande, plus le calibre du cordon doit être élevé. L'utilisation d'un cordon de rallonge incorrectement calibré entraîne une chute de voltage résultant en une perte de puissance qui risque de détériorer l'outil. Reportez-vous au tableau ci-contre pour déterminer le calibre minimum du cordon. Moins le calibre du fil est élevé, plus sa conductivité est bonne. Par exemple, un cordon de calibre 14 a une meilleure conductivité qu'un cordon de calibre 16. Lorsque vous utilisez plus d'une rallonge pour couvrir la distance, assurez-vous que chaque cordon possède le calibre minimum requis. Si vous utilisez un seul cordon pour brancher plusieurs outils, additionnez le chiffre d'intensité (ampères) inscrit sur la fiche signalétique de chaque outil pour obtenir le calibre minimal requis pour le cordon.

### Directives pour l'emploi des cordons de rallonge

- Assurez-vous que le cordon de rallonge est correctement câblé et en bonne condition. Remplacez tout cordon de rallonge détérioré ou faites-le remettre en état par une personne compétente avant de vous en servir.
- Tenez votre cordon de rallonge à l'écart des objets rattachés, des sources de grande chaleur et des endroits humides ou mouillés.

## Calibres minimaux recommandés pour les cordons de rallonge\*

Fiche signalétique Ampères	Longueur du cordon de rallonge (m)					
	7,6	12,2	22,8	30,4	45,7	60,9
0 - 5,0	16	16	16	14	12	12
5,1 - 8,0	16	16	14	12	10	--
8,1 - 12,0	14	14	12	10	--	--
12,1 - 15,0	12	12	10	10	--	--
15,1 - 20,0	10	10	10	--	--	--

\* Basé sur sur une chute de voltage limite de 5 volts à 150% de l'intensité moyenne de courant.

## LISEZ ATTENTIVEMENT CES INSTRUCTIONS ET CONSERVEZ-LES POUR LES CONSULTER AU BESOIN.

### Outils à double isolation (Deux fiches à broches)

Les outils marqués « Double Isolation » n'ont pas besoin d'être raccordés à la terre. Ils sont pourvus d'une double isolation conforme aux exigences de l'OSHA et satisfont aux normes de l'Underwriters Laboratories, Inc., de l'Association canadienne de normalisation (ACNOR) et du « National Electrical Code » (code national de l'électricité). Les outils à double isolation peuvent être branchés sur n'importe laquelle des prises à 120 volt illustrées ci-contre Figure A et B.

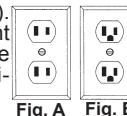


Fig. A Fig. B

## MONTAGE

**AVERTISSEMENT** Ne recharger la batterie qu'avec le chargeur spécifié. Pour les instructions de charge spécifiques, lire le manuel d'utilisation fourni avec le chargeur et les batteries.

### Insertion/retrait d'un bloc-piles

Insérer le bloc-piles en le glissant dans le compartiment des piles. Insérer le bloc-piles jusqu'à ce que les verrous de pile se verrouillent. Pour retirer le bloc-piles, appuyer sur les deux verrous de pile et glisser le bloc-piles hors du compartiment.

### Insertion/Retrait de la rallonge

Pour opérer la lumière lorsqu'elle est alimentée par CA, rallonger et verrouiller les pieds. Brancher un cordon prolongateur approprié à l'entrée CA ①. Pour débrancher le cordon prolongateur, appuyer sur le bouton poussoir ① pour éteindre la lumière et après, retirer le cordon de l'entrée.

**REMARQUE** : Une fois que la rallonge est branchée à la lampe, celle-ci fonctionne automatiquement au courant alternatif CA.

## AVERTISSEMENT

Pour réduire les risques de blessure, ne pas regarder directement dans la lumière lorsque l'éclairage est allumé.

Pour réduire les risques de blessure, toujours étendre complètement les pattes et les verrouiller en place avant de soulever les tiges de rallonge. La lampe peut se renverser et causer des blessures.

Pour réduire les risques de blessure, garder les mains à l'écart du boîtier en repliant les tiges de rallonge. La tête peut descendre rapidement, pinçant les mains et les doigts.

### Étendre/replier les pattes

Toujours allonger les pattes avant de soulever les tiges de rallonge

1. Mettre la lampe en position verticale
2. Appuyer sur le bouton de relâchement des pattes et les glisser vers l'extérieur en utilisant la poignée de transport.
3. Relever la poignée supérieure en glissant vers le bas la poignée de transport.
4. Relever jusqu'à ce que le compartiment des piles s'éloigne du plancher et les pattes se verrouillent en place.
5. Pour replier, appuyer sur le bouton de relâchement des pattes et les glisser vers l'intérieur en utilisant la poignée de transport. En repliant les pattes, garder les mains à l'écart.

### Étendre/replier les tiges de rallonge

Étendre ou replier les deux tiges de rallonge pour régler la lampe à la hauteur désirée.

1. Étendre et verrouiller les pattes.
2. Ouvrir le verrou d'extension supérieur et soulever la tête hors du boîtier. Étendre la tige de rallonge à la position désirée.
3. Fermer complètement le verrou d'extension supérieur.
4. Si une hauteur supplémentaire est requise, étendre complètement la tige et fermer le verrou avant d'ouvrir le verrou inférieur.
5. Continuer de soulever la tête à la position désirée.
6. Fermer complètement le verrou d'extension inférieur.
7. Faire tourner la tête à l'angle désiré. Les trois têtes peuvent être ajustées individuellement.

**REMARQUE** : Avant de replier les tiges de rallonge, les têtes doivent être retournées à leur position verticale.

## FONCTIONNEMENT

**AVERTISSEMENT** Pour réduire les risques de blessure, ne pas regarder directement dans la lumière lorsque l'éclairage est allumé.

### Utilisation de la lampe

1. Insérer le bloc-piles ou brancher à une alimentation CA.
2. Utiliser l'interrupteur ① pour se déplacer entre Élevé, Moyen, Bas et ÉTEINT. Appuyer et tenir enfoncé pour l'ÉTEINDRE dès n'importe quelle configuration.

## ENTRETIEN

**AVERTISSEMENT** Pour minimiser les risques de blessures corporelles, débranchez le chargeur et retirez la batterie du chargeur ou de l'outil avant d'y effectuer des travaux d'entretien. Ne démontez jamais l'outil, la batterie ou le chargeur. Pour toute réparation, consultez un centre de service MILWAUKEE accrédité.

### Entretien de l'éclairage par projection

Garder l'éclairage par projection, le bloc-piles et le chargeur en bon état en le soumettant à un programme d'entretien régulier. Si l'éclairage par projection ne fonctionne toujours pas correctement, le confier à un centre de service MILWAUKEE afin de le faire réparer.

### Serrage

Si la tête ou les rallonges ne maintiennent pas leur position, il est peut-être nécessaire de serrer les vis. Serrer les vis du support en maintenant la tête. Serrer les verrous de rallonge en ouvrant les verrous et en serrant la vis à l'intérieure.

**AVERTISSEMENT** Pour minimiser les risques de blessures ou de dommages à l'outil, n'immergez jamais l'outil, la batterie ou le chargeur et ne laissez pas de liquide s'y infiltrer.

### Nettoyage

Débarassez les événements des débris et de la poussière. Gardez les poignées propres, à sec et exemptes d'huile ou de graisse. Le nettoyage doit se faire avec un linge humide et un savon doux. Ne pas utiliser de vaporisateurs ni de solvants. Certains nettoyants tels l'essence, la térbenthine, les diluants à laque ou à peinture, les solvants chlorés, l'ammoniaque et les détergents d'usage domestique qui en contiennent pourraient détériorer le plastique et l'isolation des pièces. Ne laissez jamais de solvants inflammables ou combustibles auprès des outils.

## ACCESOIRES

**AVERTISSEMENT**

L'utilisation d'autres accessoires que ceux qui sont spécifiquement recommandés pour cet outil peut comporter des risques. Pour une liste complète des accessoires, visiter le site internet [www.milwaukeetool.com](http://www.milwaukeetool.com) ou contactez un distributeur.

## SERVICE - CANADA

**Milwaukee Tool (Canada) Ltd**  
**1.800.268.4015**  
Monday-Friday, 7:00 AM - 4:30 PM CST  
[www.milwaukeetool.ca](http://www.milwaukeetool.ca)

## GARANTIE LIMITÉE - AUX ÉTATS-UNIS ET AU CANADA

Chaque outil électrique MILWAUKEE (voir exceptions ci-dessous) est garanti à l'acheteur d'origine uniquement pour être exempt de vices de matériaux et de fabrication. Sous réserve de certaines exceptions, MILWAUKEE réparera ou remplacera toute pièce d'un outil électrique qui, après examen par MILWAUKEE, s'est avérée être affectée d'un vice de matériau ou de fabrication et ce pendant une période de cinq (5) ans\*\* à compter de la date d'achat, sauf indication contraire. Retourner l'outil électrique à un centre de réparation en usine MILWAUKEE ou à un poste d'entretien agréé MILWAUKEE, en port prépayé et assuré. Une copie de la preuve d'achat doit être présentée lors du retour du produit. Cette garantie ne couvre pas les dommages que MILWAUKEE détermine être causés par des réparations ou des tentatives de réparation par quiconque autre que le personnel agréé par MILWAUKEE, ou par des utilisations incorrectes, des altérations, des utilisations abusives, une usure normale, une carence d'entretien ou des accidents.

Usure normale : Plusieurs outils électriques requièrent un remplacement et un entretien périodique de leurs pièces pour un meilleur rendement. Cette garantie ne couvre pas la réparation des pièces due à l'utilisation normale de l'outil, y compris, mais sans s'y limiter, les mandrins, les brosses, les cordes, les sabots de scie, les portelames, les joints toriques, les joints, les amortisseurs, les lames d'entraînement, les pistons, les perceurs, les crochets et les rondelles à couvercle amortisseur.

\*Cette garantie ne s'applique pas aux clouuses-agrafeuses pneumatiques, aux pulvérisateurs à peinture sans air, aux blocs-piles pour outils sans fil, aux génératrices d'alimentation portatives à essence, aux outils à main, aux monte-charges - électriques, à levier et à chaîne, aux vestes chauffantes M12™, aux produits ré-usinés, ni aux produits d'essai et de mesure. Il existe des garanties séparées distinctes pour ces produits.

\*\*La période de garantie applicable pour les radios de chantier, le port d'alimentation M12™, la source électrique M18™, le ventilateur de chantier et les chariots de travail industriels Trade Titan™ est d'une durée d'un (1) an à compter de la date d'achat. La période de garantie pour les Câbles de nettoyage des canalisations est de deux (2) ans à compter de la date d'achat. La période de garantie pour le Pistolet thermique compact M18™ et Dépoussiéreur de 8 gallons est de trois (3) ans à compter de la date d'achat. La période de garantie couvrant la DEL de la lampe de travail à DEL et l'ampoule améliorée à DEL de la lampe de travail est une garantie à vie du produit soumise aux limitations ci-dessus. En cas de défaillance de la DEL ou de l'ampoule à DEL pendant son utilisation normale, la pièce défaillante sera remplacée gratuitement.

L'enregistrement de la garantie n'est pas nécessaire pour bénéficier de la garantie en vigueur sur un outil électrique MILWAUKEE. La date de fabrication du produit servira à établir la période de garantie, si aucune preuve d'achat n'est fournie lorsqu'une demande de service sous garantie est déposée.

L'ACCEPTATION DES RECOURS EXCLUSIFS DE RÉPARATION ET DE REMPLACEMENT DÉCRITS DANS LES PRÉSENTES EST UNE CONDITION DU CONTRAT D'ACHAT DE TOUT PRODUIT MILWAUKEE. SI VOUS N'ACCEPTÉZ PAS CETTE CONDITION, VOUS NE DEVEZ PAS ACHETER LE PRODUIT. EN AUCUN CAS, MILWAUKEE NE SAURAIT ÊTRE RESPONSABLE DE TOUT DOMMAGE ACCESSOIRE, SPÉCIAL OU INDIRECT, DE DOMMAGES-INTÉRÊTS PUNITIFS OU DE TOUTE DÉPENSE, D'HONORAIRES D'AVOCAT, DE FRAIS, DE PERTE OU DE DÉLAIS ACCESSOIRES À TOUT DOMMAGE, DÉFAILLANCE OU DÉFAUT DE TOUT PRODUIT, Y COMPRIS NOTAMMENT LES PERTES DE PROFIT. CERTAINS ÉTATS ET PROVINCES NE PERMETTANT L'EXCLUSION OU LA LIMITATION DES DOMMAGES DIRECTS OU INDIRECTS, LES RESTRICTIONS CI-DESSUS PEUVENT NE PAS VOUS ÊTRE APPLICABLES. CETTE GARANTIE EST EXCLUSIVE ET REMPLACE TOUTE AUTRE GARANTIE EXPRESSE, QU'ELLE SOIT VERBALE OU ÉCRITE. DANS LA MESURE PERMISE PAR LA LOI, MILWAUKEE RENONCE À TOUTE GARANTIE IMPLICITE, Y COMPRIS, MAIS SANS S'Y LIMITER, TOUTE GARANTIE IMPLICITE DE QUALITÉ MARCHANDE OU D'ADAPTION À UNE UTILISATION OU À UNE FIN PARTICULIÈRE. DANS LA MESURE OU UNE TELLE STIPULATION D'EXONÉRATION N'EST PAS PERMISE PAR LA LOI, LA DURÉE DE CES GARANTIES IMPLICITES EST LIMITÉE À LA PÉRIODE APPLICABLE DE LA GARANTIE EXPRESSE, TEL QUE CELA EST DÉCRIT PRÉCÉDEMMENT. CERTAINS ÉTATS ET PROVINCES NE PERMETTANT PAS DE LIMITATION DE DURÉE DES GARANTIES IMPLICITES, LES RESTRICTIONS CI-DESSUS PEUVENT DONC NE PAS VOUS ÊTRE APPLICABLES. LA PRÉSENTE VOUS CONFÈRE DES DROITS LÉGAUX PARTICULIERS; VOUS BÉNÉFICIEZ ÉGALEMENT D'AUTRES DROITS QUI VARIENT D'UN ÉTAT À UN AUTRE.

Cette garantie s'applique aux produits vendus aux États-Unis et au Canada uniquement. Veuillez consulter la rubrique Centre SAV Milwaukee, dans la section Pièces et Services du site Web de MILWAUKEE, à l'adresse [www.milwaukeetool.com](http://www.milwaukeetool.com), ou composer le 1-800-SAWDUST (1-800-729-3878) afin de trouver le centre de service de votre région le plus proche pour l'entretien, sous garantie ou non, de votre outil électrique Milwaukee.

## GARANTIE LIMITÉE - MEXIQUE, AMÉRIQUE CENTRALE ET CARAÏBES

TECHTRONIC INDUSTRIES® garantit le produit pendant 5 ans à partir de la date d'achat d'origine. Le présent bon de garantie couvre tous les vices de matériau et de fabrication que peut afficher ce produit. Pour assurer la validité de la présente garantie, veuillez présenter ce bon de garantie, estampillé du sceau du distributeur ou du magasin où le produit a été acheté, au centre de réparations agréé. Si le bon de garantie n'a pas été estampillé, veuillez fournir la preuve d'achat d'origine au centre de réparations agréé. Pour un entretien des pièces, des accessoires ou des composants, composer sans frais le 1-800-030-7777 afin d'obtenir les coordonnées du centre de réparations agréé le plus près.

### Procédure pour assurer la validité de la garantie

Présenter le produit au centre de réparations agréé, accompagné du bon de garantie estampillé du sceau du distributeur ou du magasin où le produit a été acheté. Toute pièce défectueuse ou tout composant défectueux sera remplacé(e) sans frais. Milwaukee assume tous les frais de transport liés à ce processus de garantie.

### Exceptions

Cette garantie ne s'applique pas dans les situations suivantes :  
a) Si le produit a été utilisé pour une fin autre que celle indiquée dans le guide de l'utilisateur final ou le manuel d'instructions.  
b) Si les conditions d'utilisations ne sont pas habituelles.  
c) Si le produit a été modifié ou réparé par une personne non autorisée par TECHTRONIC INDUSTRIES.

**Remarque :** Si le cordon électrique est endommagé, il doit être remplacé par un centre de réparations agréé pour éviter les risques d'électrocution.

### CENTRE DE RÉPARATIONS ET DE SERVICE

Composer le 01 (800) 030-7777

IMPORTÉ ET COMMERCIALISÉ PAR  
TECHTRONIC INDUSTRIES, MEXIQUE, SA DE CV  
Av President Masarik #29 piso 7, Col. Polanco V Sección  
CP 11560, Deleg. Miguel Hidalgo, CDMX

Modèle : \_\_\_\_\_

Date d'achat : \_\_\_\_\_

Sceau du distributeur ou du magasin : \_\_\_\_\_

## INSTRUCCIONES IMPORTANTES DE SEGURIDAD

**ADVERTENCIA** Lea todas las advertencias de seguridad, instrucciones, ilustraciones y especificaciones con esta herramienta eléctrica. Si no sigue todas las advertencias e instrucciones, se pueden provocar una descarga eléctrica, un incendio o lesiones graves. **Guarde todas las advertencias e instrucciones para consultarlas en el futuro.**

## SEGURIDAD EN EL ÁREA DE TRABAJO

- Guarde la lámpara cuando no se esté usando fuera del alcance de los niños. Las lámparas calientes pueden ser peligrosas en manos de menores de edad.
- Almacene la lámpara que no se estén usando fuera del alcance de los niños. Las luces tibias pueden llegar a ser peligrosas en las manos de niños.
- No lo utilice en exteriores.

## SEGURIDAD ELÉCTRICA

- Los enchufes de la herramienta eléctrica deben coincidir con el tomacorriente. Nunca modifique el enchufe de ninguna manera. No utilice adaptadores de enchufe con herramientas eléctricas aterrizadas. Los enchufes y tomacorrientes correspondientes sin modificar reducirán el riesgo de descarga eléctrica.
- Evite el contacto corporal con superficies aterrizadas, tales como tuberías, radiadores, estufas y refrigeradores. Existe un riesgo mayor de descarga eléctrica si su cuerpo está aterrizado.
- Para reducir el riesgo de descarga eléctrica, no ponga la lámpara en agua ni en otro líquido. No coloque o guarde el aparato donde pueda caer o ser jalado al interior de una tina o lavabo.
- No maltrate el cable. Nunca utilice el cable para cargar, jalar o desconectar la herramienta eléctrica. Mantenga el cable alejado del calor, el aceite, los bordes afilados o las partes en movimiento. Los cables dañados o enredados aumentan el riesgo de descarga eléctrica.
- Acomode los cables cuidadosamente para evitar entornos peligrosos. Tropezarse o atorarse en los cables puede causar lesiones y daño al producto. No permita que los cables pasen por charcos o sobre suelo mojado.
- No desconecte jalando el cable de corriente. Para desenchufar, sujete el enchufe y no el cable.
- Desenchufe el cable del tomacorriente cuando no esté en uso y antes de realizarle un servicio o limpieza.
- Siempre use una extensión para reducir el riesgo de descarga eléctrica.
- Si es inevitable utilizar la lámpara en un lugar húmedo, utilice un alimentador de corriente protegido con un interruptor de circuito por falla de conexión a tierra (GFCI). El uso de un GFCI reduce el riesgo de descarga eléctrica.

## SEGURIDAD PERSONAL

- No estire el cuerpo demasiado. Mantenga un buen contacto entre los pies y el suelo y mantenga el equilibrio en todo momento. Esto permite un mejor control de la herramienta eléctrica en situaciones inesperadas.
- No se utilice sobre una escalera o un apoyo inestable. Un apoyo estable en una superficie sólida permite un mejor control de la lámpara en situaciones inesperadas.

## USO Y CUIDADO DE LAS HERRAMIENTAS CON BATERÍA

- Recargue únicamente con el cargador especificado por el fabricante. Un cargador que es adecuado para un tipo de batería puede crear un riesgo de incendio si se utiliza con otra batería.
- Utilice las lámparas únicamente con baterías específicamente diseñadas. El uso de cualquier otra batería puede producir un riesgo de lesiones e incendio.
- Cuando la batería no esté en uso, manténgala alejada de otros objetos metálicos como sujetapapeles, monedas, llaves, clavos, tornillos u otros objetos metálicos pequeños que puedan formar una conexión de una terminal a otra. Crear un corto entre las terminales de la batería puede ocasionar quemaduras o un incendio.

•Bajo condiciones de maltrato, el líquido puede ser expulsado de la batería, evite el contacto. En caso de contacto accidental, lave con agua. Si el líquido entra en contacto con los ojos, busque además ayuda médica. El líquido expulsado de la batería puede causar irritación o quemaduras.

•No use una batería o herramienta que se haya dañado o modificado. Las baterías dañadas o modificadas pueden mostrar un comportamiento impredecible, causando incendios, explosión o riesgo de lesión.

•No exponga una batería o herramienta al fuego o a temperatura excesiva. La exposición a fuego o temperatura a más de 130° C (265° F) puede causar explosiones.

•Siga todas las instrucciones de carga y no cargue la batería o la herramienta fuera del rango de temperatura especificado en las instrucciones. La carga incorrecta o a temperaturas fuera del rango especificado puede dañar la batería y aumentar el riesgo de incendio.

### MANTENIMIENTO

•Lleve su lámpara a servicio con un técnico calificado que use únicamente piezas de reemplazo idénticas. Esto asegurará que la seguridad de la herramienta eléctrica se mantenga.

•Nunca dé servicio a baterías dañadas. Únicamente el fabricante o proveedores de servicio autorizados deben dar servicio a las baterías.

### REGLAS ESPECÍFICAS DE SEGURIDAD

•Advertencia - La lente puede calentarse durante el uso. Para reducir el riesgo de quemaduras, no toque la lente caliente.

•Conserve las etiquetas y las placas nominales. Contienen información importante. Si son ilegibles o no están presentes, comuníquese con un centro de servicio MILWAUKEE para obtener un reemplazo gratuito.

## GUARDE ESTAS INSTRUCCIONES

### ESPECIFICACIONES

Cat No ..... 2131-20  
 Volts..... 18 CD  
 Tipo de batería ..... M18™  
 Tipo de cargador ..... M18™  
 Voltaje de entrada CA.....120  
 Voltaje de entrada CC .....18  
 Amperaje de entrada CA.....0,5  
 Temperatura ambiente recomendada para operar ..... -18°C to 50°C (0°F to 125°F)

### SIMBOLOGÍA

- Volts
- Corriente continua
- Corriente alterna
- Amperios
- Con doble aislamiento
- Alimentación de CA
- UL Listing Mark para Canadá y Estados Unidos



### PRECAUCIÓN

Luz intensa - No mire directamente el haz



1. Siempre extienda las patas antes de levantar los postes.

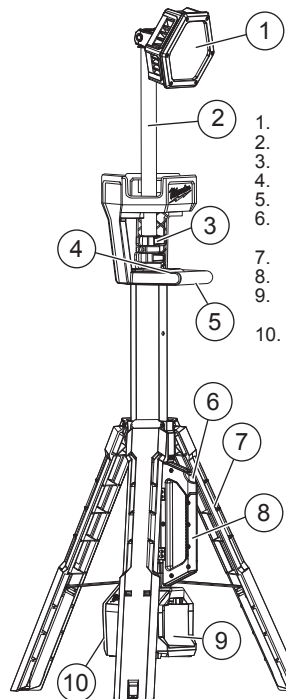


Mantenga las manos alejadas de la carcasa al colapsar los postes de extensión.



Lea el manual del operador.

### DESCRIPCIÓN FUNCIONAL



1. Cabeza
2. Postes de extensión
3. Pestillos de extensión
4. Interruptor
5. Asa superior
6. Botón de liberación de patas
7. Patas
8. Asa para transporte
9. Compartimiento de la batería
10. Entrada de CA

### EXTENSIONES ELÉCTRICAS

Las herramientas que deben conectarse a tierra cuentan con clavijas de tres patas y requieren que las extensiones que se utilicen con ellas sean también de tres cables. Las herramientas con doble aislamiento y clavijas de dos patas pueden utilizarse indistintamente con extensiones de dos a tres cables. El calibre de la extensión depende de la distancia que exista entre la toma de la corriente y el sitio donde se utilice la herramienta. El uso de extensiones inadecuadas puede causar serias caídas en el voltaje, resultando en pérdida de potencia y posible daño a la herramienta. La tabla que aquí se ilustra sirve de guía para la adecuada selección de la extensión. Mientras menor sea el número del calibre del cable, mayor será la capacidad del mismo. Por ejemplo, un cable calibre 14 puede transportar una corriente mayor que un cable calibre 16. Cuando use más de una extensión para lograr el largo deseado, asegúrese que cada una tenga al menos, el mínimo tamaño de cable requerido. Si está usando un cable de extensión para más de una herramienta, sume los amperes de las varias placas y use la suma para determinar el tamaño mínimo del cable de extensión.

#### Guías para el uso de cables de extensión

- Asegúrese que su cable de extensión está correctamente cableado y en buenas condiciones eléctricas. Cambie siempre una extensión dañada o hágala reparar por una persona calificada antes de volver a usarla.
- Proteja su extensión eléctrica de objetos cortantes, calor excesivo o áreas mojadas.

### Calibre mínimo recomendado para cables de extensiones eléctricas\*

Amperios (En la placa)	Largo de cable de Extensión en (m)					
	7,6	12,2	22,8	30,4	45,7	60,9
0 - 5,0	16	16	16	14	12	12
5,1 - 8,0	16	16	14	12	10	--
8,1 - 12,0	14	14	12	10	--	--
12,1 - 15,0	12	12	10	10	--	--
15,1 - 20,0	10	10	10	--	--	--

\* Basado en limitar la caída en el voltaje a 5 volt al 150% de los amperios.

### LEA Y GUARDE TODAS LAS INSTRUCCIONES PARA FUTURAS REFERENCIAS

#### Herramientas con doble aislamiento (Clavijas de dos clavijas)

Las herramientas marcadas con "Doble aislamiento" no requieren conectarse "a tierra". Estas herramientas tienen un sistema aislante que satisface los estándares de OSHA y llena los estándares aplicables de UL (Underwriters Laboratories), de la Asociación Canadiense de Estándares (CSA) y el Código Nacional de Electricidad. Las herramientas con doble aislamiento pueden ser usadas en cualquiera de los toma corriente de 120 Volt mostrados en las Figuras A y B.

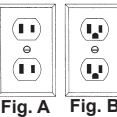


Fig. A Fig. B

### ENSAMBLAJE

**ADVERTENCIA** Recargue la batería sólo con el cargador especificado para ella. Para instrucciones específicas sobre cómo cargar, lea el manual del operador suministrado con su cargador y la batería.

#### Cómo insertar/extraer la batería

Para insertar la batería, deslicela hacia el interior del compartimiento de la batería. Inserte la batería hasta que los pestillos de la misma se traben. Para extraer la batería, presione ambos pestillos de la batería y deslice la batería para sacarla del compartimiento.

#### Insertar/quitar la extensión

Para operar la lámpara con alimentación CA, extienda y fije las patas. Enchufe un cable de extensión adecuado en la entrada CA . Para desconectar el cable de extensión, presione el botón interruptor para apagar la lámpara, luego retire el cable de la entrada.

**NOTA:** Cuando haya una extensión conectada en la lámpara, ésta funcionará automáticamente con corriente CA.

**ADVERTENCIA** Para reducir el riesgo de lesiones, no mire directamente hacia la luz cuando la lámpara esté encendida. Para reducir el riesgo de lesiones, siempre extienda por completo y trabe las patas en su lugar antes de elevar los postes. La lámpara podría volcarse y provocar lesiones.

Para reducir el riesgo de lesiones, mantenga las manos alejadas del área de la carcasa al colapsar los postes de extensión. La cabeza pudiera descender rápidamente, pellizcando manos y dedos.

#### Extensión/colapsado de las patas

Siempre extienda y trabe las patas antes de levantar los postes.

1. Ponga la lámpara de pie.
2. Presione el botón de liberación de las patas y deslice las patas hacia abajo usando el asa para transporte.
3. Levante el asa superior mientras desliza el asa para transporte hacia abajo.
4. Levante hasta que el compartimiento de la batería se levante del piso y las patas se traben en su lugar.
5. Para colapsar, presione el botón de liberación de las patas y deslice las patas hacia adentro usando el asa para transporte. Mantenga las manos alejadas de las patas mientras se colapsan.

#### Extensión/colapsado de los postes de extensión

Extienda o colapse los dos postes para colocar la lámpara a la altura deseada.


1. Extienda y trabe las patas.
2. Abra el pestillo de extensión superior y eleve la cabeza para sacarla de la carcasa. Extienda el poste a la altura deseada.
3. Cierre por completo el pestillo de extensión superior.
4. Si se requiere más altura, extienda por completo el primer poste y cierre el pestillo antes de abrir el pestillo inferior.
5. Siga elevando la cabeza a la altura deseada.
6. Cierre por completo el pestillo de extensión inferior.
7. Gire la cabeza al ángulo deseado. Las tres cabezas pueden ajustarse de manera individual.

**NOTA:** Antes de colapsar los postes, las cabezas deben devolverse a su posición vertical.

#### OPERACIÓN

**ADVERTENCIA** Para reducir el riesgo de lesiones, no mire directamente hacia la luz cuando la lámpara esté encendida.

#### Uso de la lámpara

1. Inserte la batería o conecte en la corriente CA.
2. Use el interruptor  para cambiar entre Alto, Medio, Bajo y APAGADO. Presione y sostenga para apagar desde cualquier configuración.

#### MANTENIMIENTO

**ADVERTENCIA** Para reducir el riesgo de una lesión, desconecte siempre la herramienta antes de darle cualquier mantenimiento. Nunca desarme la herramienta ni trate de hacer modificaciones en el sistema eléctrico de la misma. Acuda siempre a un Centro de Servicio MILWAUKEE para TODAS las reparaciones.

#### Mantenimiento de la lámpara

Mantenga su lámpara, batería y cargador en buenas condiciones adoptando un programa periódico de mantenimiento. Si la lámpara no funciona correctamente, devuélvala a un centro de servicio MILWAUKEE para reparación.

#### Para apretar

Si la cabeza o las extensiones no se mantienen en su posición, es posible que los tornillos necesiten apretarse. Apriete los tornillos del soporte sosteniendo la cabeza. Apriete los pestillos de la extensión abriéndolos y apretando el tornillo que se encuentra en su interior.

**ADVERTENCIA** Para reducir el riesgo de una explosión, no queme nunca una batería, aun si está dañada, "muerta" o completamente descargada.

#### Limpiéala

Limpiéela el polvo y suciedad de las ventilas. Mantenga los mangos limpios, secos y libres de aceite o grasa. Use solo jabón neutro y un trapo húmedo para limpiar, ya que algunos solventes y partes aislantes. No use aerosoles ni solventes. Algunos de estos incluyen: gasolina, turpentina, thinner, lacas, thinner para pinturas, solventes para limpieza con cloro, amoníaco y detergentes caseros que tengan amonía. Nunca usa solventes inflamables o combustibles cerca de una herramienta.

#### ACCESORIOS

**ADVERTENCIA** Utilice sólo los accesorios específicamente recomendados. Otros accesorios puede ser peligroso.

Para una lista completa de accesorios, visite nuestro sitio en Internet: [www.milwaukeetool.com](http://www.milwaukeetool.com) o póngase en contacto con un distribuidor.

#### SOPORTE DE SERVICIO - MEXICO

##### CENTRO DE ATENCION A CLIENTES

Techtronic Industries Mexico, S.A. de C.V.

Av. Presidente Masarik 29 Piso 7

11560 Polanco V Seccion

Miguel Hidalgo, Distrito Federal, México

01 (800) 030-7777 o (55) 4160-3540

Lunes a Viernes (9am a 6pm)

O contáctanos en [www.milwaukeetool.com.mx](http://www.milwaukeetool.com.mx)

#### GARANTÍA LIMITADA - E.U.A. Y CANADÁ

Cada herramienta eléctrica\* de MILWAUKEE (ver excepciones a continuación) está garantizada para el comprador original únicamente de que no tenga material y mano de obra defectuosos. Sujeto a ciertas excepciones, MILWAUKEE reparará o reemplazará cualquier parte en una herramienta eléctrica que tenga defectos de material o mano de obra según lo determine MILWAUKEE mediante una revisión, por un periodo de cinco (5) años\*\* después de la fecha de compra a menos que se indique lo contrario. Al devolver la herramienta eléctrica a un Centro de Servicio de la fábrica de MILWAUKEE o a una Estación de Servicio Autorizada de MILWAUKEE, se requiere que el flete esté pagado por adelantado y asegurado. Se debe incluir una copia del comprobante de compra con el producto devuelto. Esta garantía no aplica a daños que MILWAUKEE determine que son ocasionados por reparaciones o intentos de reparaciones realizados por una persona que no sea personal autorizado de MILWAUKEE, uso indebido, alteraciones, maltrato, desgaste normal, falta de mantenimiento o accidentes.

Desgaste normal: Muchas herramientas eléctricas necesitan un reemplazo periódico de partes y servicio para lograr el mejor desempeño. Esta garantía no cubre la reparación cuando el uso normal ha agotado la vida de una parte, incluyendo sin limitar a mandriles, cepillos, cables, zapatas de la sierra, abrazaderas de la hoja, anillos en O, sellos, protectores, hojas de desatornilladores, pistones, herrajes, levantadores y arandelas de cubierta de los protectores.

\*Esta garantía no cubre clavadoras y grapadoras neumáticas, pistola de pintura a presión, baterías inalámbricas, generadores de energía portátil de gasolina, herramientas de mano, palanca y cadena de mano de polipasto - eléctricas, instrumentaria calefata M12™, producto reacondicionado y productos de prueba y medición. Existen garantías por separado y distintas disponibles para estos productos.

\*\*El periodo de garantía para los radios para obra, puerto de energía M12™, fuente de poder M18™, ventiladores para obra y carretillas de trabajo industrial Trade Titan™ es de un (1) año a partir de la fecha de compra. El periodo de garantía para los Cables de limpieza de drenaje es de dos (2) años a partir de la fecha de compra. El periodo de garantía de la Pistola de calor compacta M18™ de la Extractor de polvo de 8 galones es de tres (3) años a partir de la fecha de compra. El periodo de garantía de las lámparas de LED en la Lámpara de trabajo LED y el Bulbo mejorado de LED para la Luz de trabajo es por la vida del producto sujeto a las limitaciones anteriores. Si durante el uso normal el LED o Bulbo de LED falla, la parte será reemplazada sin cargo.

No se requiere el registro de la garantía para obtener la garantía correspondiente a un producto de herramienta eléctrica de MILWAUKEE. La fecha de manufactura del producto se utilizará para determinar el periodo de garantía si no se proporciona comprobante de compra al solicitar el servicio en garantía.

LA ACEPTACIÓN DE LOS REMEDIOS EXCLUSIVOS DE REPARACIÓN Y REEMPLAZO AQUÍ DESCRITOS ES UNA CONDICIÓN DEL CONTRATO PARA LA COMPRA DE TODO PRODUCTO DE MILWAUKEE. SI USTED NO ACEPTA ESTA CONDICIÓN, NO DEBE COMPRAR EL PRODUCTO. MILWAUKEE NO SERÁ RESPONSABLE EN NINGÚN CASO DE DAÑOS INCIDENTALES, ESPECIALES, EMERGENTES O PUNITIVOS NI DE NINGÚN COSTO, HONORARIOS LEGALES, GASTOS, PÉRDIDAS O DEMORAS ALEGADAS COMO CONSECUENCIA DE ALGÚN DAÑO, FALLA O DEFECTO EN NINGÚN PRODUCTO, INCLUYENDO, ENTRE OTROS, RECLAMACIONES POR PÉRDIDA DE UTILIDADES. ALGUNOS ESTADOS NO PERMITEN LA EXCLUSIÓN O LIMITACIÓN DE RESPONSABILIDAD POR DAÑOS INCIDENTALES O EMERGENTES, POR LO QUE LA ANTERIOR LIMITACIÓN O EXCLUSIÓN PODRÍA NO APLICARSE EN SU CASO. ESTA GARANTÍA ES EXCLUSIVA Y REEMPLAZA TODAS LAS DEMÁS GARANTÍAS EXPRESAS, ESCRITAS U ORALES. EN LA MEDIDA EN QUE LO PERMITA LA LEY, MILWAUKEE DESCONOCE CUALQUIER GARANTÍA IMPLÍCITA, INCLUYENDO SIN LIMITACIÓN CUALQUIER GARANTÍA IMPLÍCITA DE COMERCIABILIDAD O IDONEIDAD PARA UN FIN O USO ESPECÍFICO; EN LA MEDIDA EN QUE DICHO DESCONOCIMIENTO NO SEA PERMITIDO POR LA LEY, DICHAS GARANTÍAS IMPLÍCITAS SE LIMITAN A LA DURACIÓN DE LA GARANTÍA EXPRESA CORRESPONDIENTE SEGÚN SE DESCRIBIÓ ANTERIORMENTE. ALGUNOS ESTADOS NO PERMITEN LIMITACIONES SOBRE LA DURACIÓN DE UNA GARANTÍA IMPLÍCITA, POR LO QUE LA ANTERIOR LIMITACIÓN PUDIERA NO APLICARSE A USTED. ESTA GARANTÍA LE DA DERECHOS LEGALES ESPECÍFICOS Y USTED PODRÍA ADEMÁS TENER OTROS DERECHOS QUE VARIAN DE UN ESTADO A OTRO.

Esta garantía aplica al producto vendido en los Estados Unidos y Canadá únicamente.

Consulte la "Búsqueda de centro de servicio" en la sección de Partes y servicio del sitio web de MILWAUKEE en [www.milwaukeetool.com](http://www.milwaukeetool.com) o llame al 1.800.SAWDUST (1.800.729.3878) para localizar su centro de servicio más cercano para darle servicio con y sin garantía a una herramienta eléctrica de Milwaukee.

#### PÓLIZA DE GARANTÍA - VALIDA SOLO PARA MÉXICO, AMÉRICA CENTRAL Y EL CARIBE

La garantía de TECHTRONIC INDUSTRIES es por 5 años a partir de la fecha original de compra.

Esta tarjeta de garantía cubre cualquier defecto de material y mano de obra en ese Producto.

Para hacer válida esta garantía, presente esta tarjeta de garantía, cerrada/sellada por el distribuidor o la tienda donde compró el producto, al Centro de Servicio Autorizado (ASC). O, si esta tarjeta no se ha cerrado/sellado, presente la prueba original de compra a ASC. Llame gratis al 01 (800) 030-7777 para encontrar el ASC más cercano, para servicio, partes, accesorios o componentes.

#### Procedimiento para hacer válida esta garantía

Lleve el producto a ASC, junto con la tarjeta de garantía cerrada/sellada por el distribuidor o la tienda donde compró el producto, y cualquier pieza o componente defectuoso se reemplazará sin costo para usted. Cubriremos todos los costos de flete con relación a este proceso de garantía

#### Excepciones

Esta garantía no tendrá validez en las siguientes situaciones:

- a) Cuando el producto se use de manera distinta a la que indica el manual del usuario final o de instrucciones.
- b) Cuando las condiciones de uso no sean normales.
- c) Cuando otras personas no autorizadas por TECHTRONIC INDUSTRIES modifiquen o reparen el producto.

**Nota:** si el juego de cables está dañado, tiene que reemplazarse en un Centro de Servicio Autorizado para evitar riesgos eléctricos.

#### CENTRO DE SERVICIO Y ATENCIÓN

Llame al 01 (800) 030-7777

IMPORTADO Y COMERCIALIZADO POR  
TECHTRONIC INDUSTRIES, MÉXICO, SA DE CV  
Av. Presidente Masarik #29 piso 7, Col. Polanco V Sección  
CP 11560, Deleg. Miguel Hidalgo, CDMX

Modelo: \_\_\_\_\_

Fecha de Compra: \_\_\_\_\_

Sello del Distribuidor: \_\_\_\_\_



**MILWAUKEE TOOL**  
13135 West Lisbon Road  
Brookfield, Wisconsin, U.S.A. 53005

58140106d2  
10/17

01609400101Q-02(A)  
Printed in China