



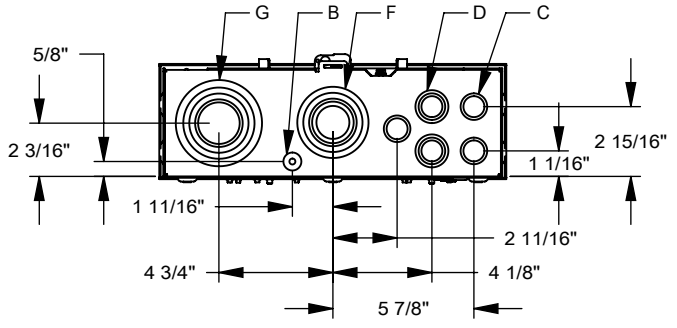
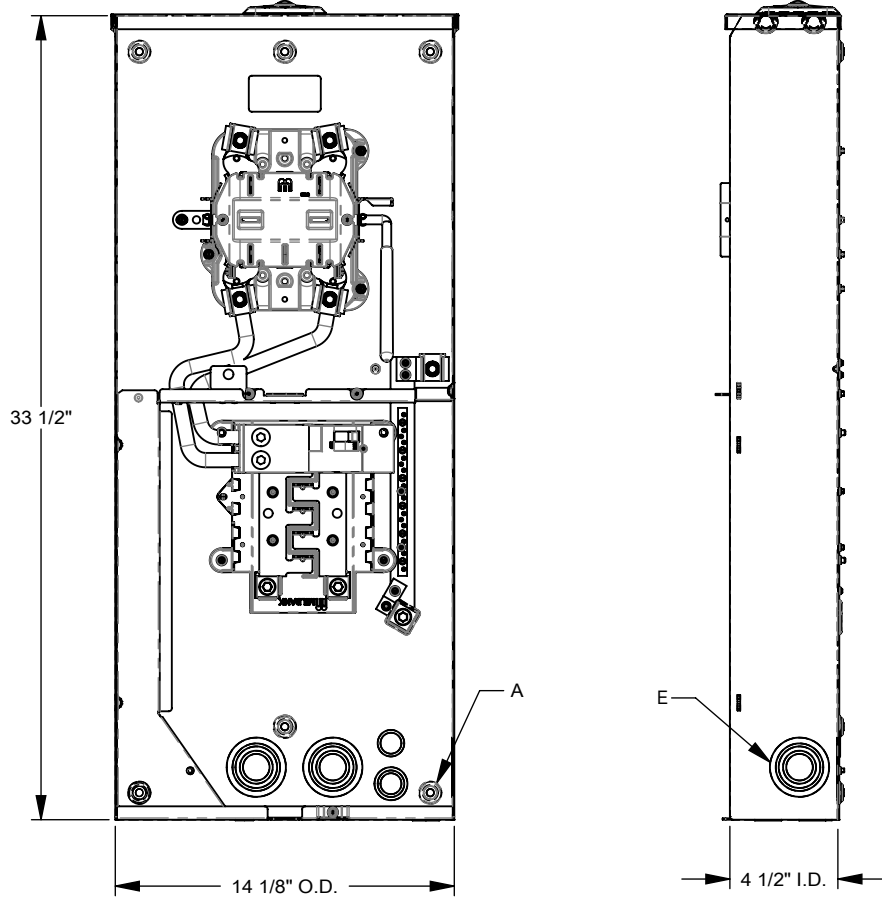
Catalog Number: U5871-XL-200  
Item Description: 200A 4T RL HD MAIN 8CRT  
UPC Code: 784572498150

Brand Name: Milbank  
Type: Ringless Meter Socket  
Application: Meter Socket With Main And Load Center  
Standard: UL Listed  
Voltage Rating: Up to 240 Volts Alternating Current  
Amperage Rating: 200 Ampere Continuous  
Phase: 1 Phase  
Frequency Rating: 60 Hertz  
Number Of Cutouts: 1  
Cutout Size: 200 Ampere Main Breaker  
Cable Entry: Overhead and Underground  
Terminal: Lay in Line Side and Single Mechanical Load Side  
Mounting: Surface Mount  
Enclosure: Type 3R, G90 Galvanized Steel with Powder Coat Finish

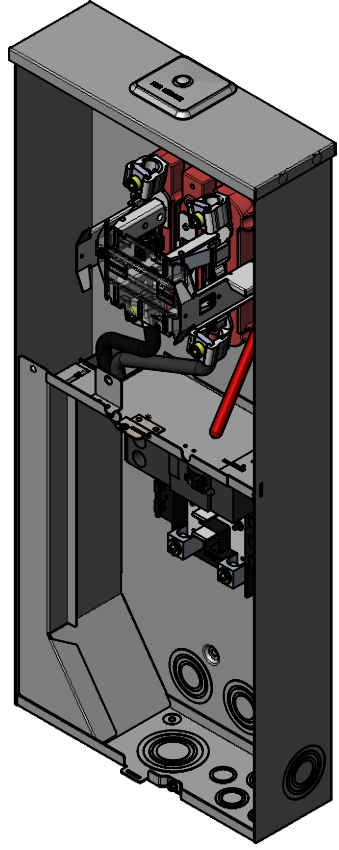


Additional Specifications: Line Side Wire Range:6 AWG - 350 kcmil  
AIC or SCCR Rating: Please Contact Factory  
Optional 5th Terminal Position:3 O'Clock, 6 O'Clock, 9 O'Clock  
Maximum Amperage:200 Maximum Ampere  
Number of Jaws:4 Terminal  
Hub Opening and Closing Plates:Small Closing Plate  
Bypass Provision:Lever Bypass  
Number Positions:1 Position

*Utility requirements may vary. Always consult the serving utility for their requirements prior to ordering or installing this equipment. This product must always be installed by a licensed electrician. Installation of this equipment may require local electrical inspector approval.*



FEATURE TABLE		
ITEM	QTY	DESCRIPTION
A	6	U/L MNTG.EMBOSS
B	1	1/4", 1/2" CONC. K.O.
C	4	1/2", 3/4" CONC. K.O.
D	3	1/2", 3/4", 1" CONC. K.O.
E	3	3/4", 1", 1 1/4", 1 1/2", 2" CONC. K.O.
F	1	1", 1 1/4", 1 1/2", 2", 2 1/2" CONC. K.O.
G	1	1 1/4", 1 1/2", 2", 2 1/2", 3" CONC. K.O.



Version:

**1**

All dimensions are +/- 1/16".  
 Drawing views are not to scale.  
 Utility requirements for this equipment may vary. Always consult the serving utility for their requirements prior to ordering or installing this equipment. This product must be installed by a licensed electrician. Installation of this equipment may require local electrical inspector approval.